



INSTALLATION INSTRUCTIONS

Accessory

CB ANTENNA
P/N 08E74-MCA-S40
08E96-MCA-100C

Application

GL1800

Publication No.

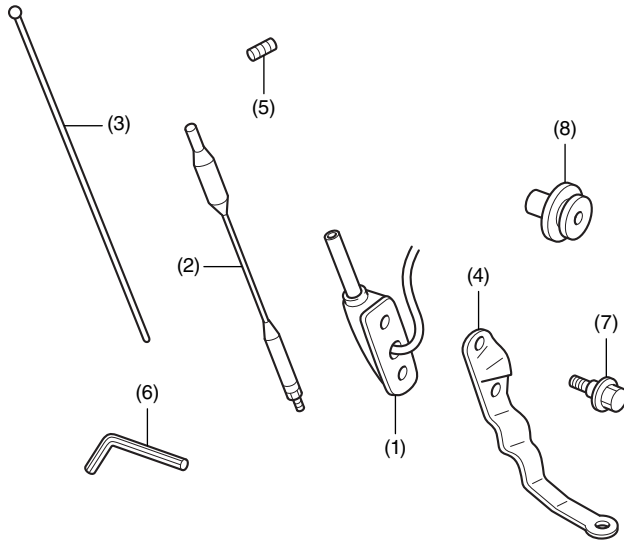
MII 13574-13809

Issue Date

Revised August 2011

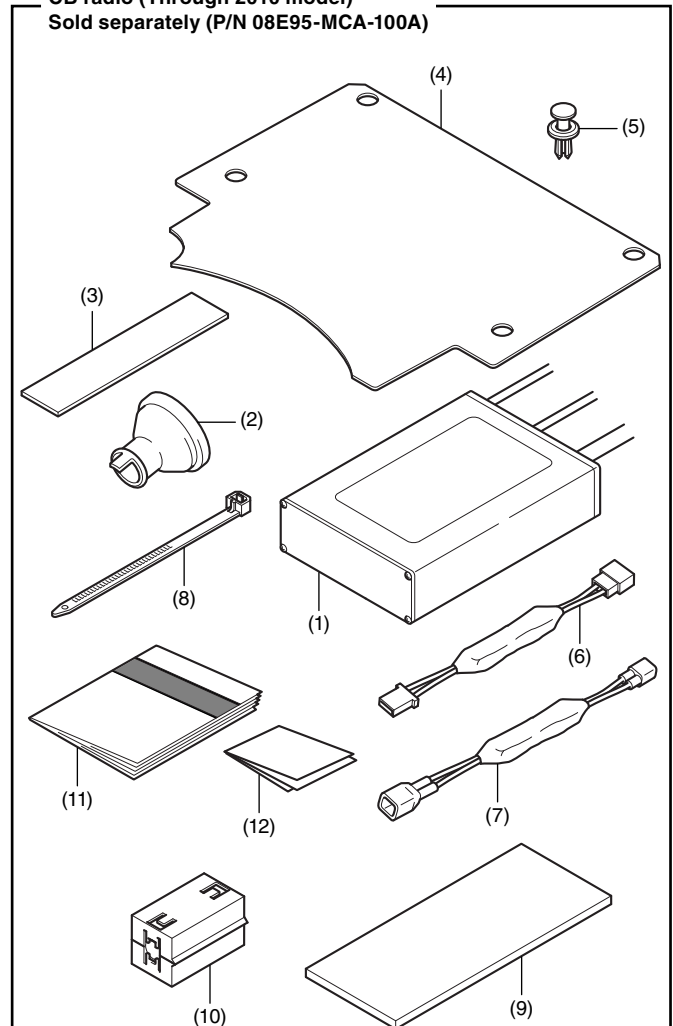
Honda Dealer: Please give a copy of these instructions to your customer.

PARTS LIST



No.	Description	Qty
(1)	Antenna base	1
(2)	Lower antenna Assy.	1
(3)	Upper antenna	1
(4)	Antenna plate	1
(5)	Stop screw	2
(6)	2 mm Hex wrench	1
(7)	6 mm flange bolt	2
(8)	Grommet	1

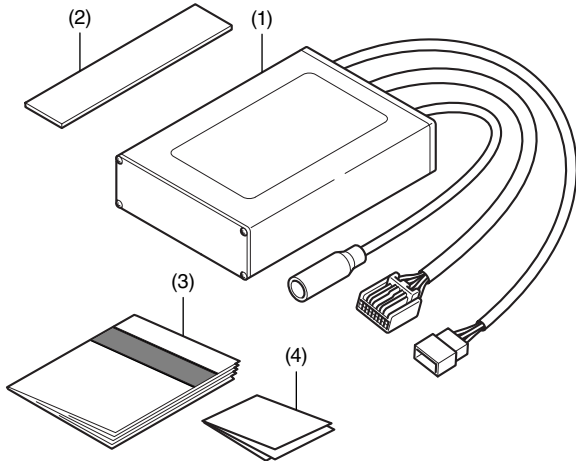
CB radio (Through 2010 model)
Sold separately (P/N 08E95-MCA-100A)



For the installation, refer to the included Installation Instructions.

No.	Description	Qty
(1)	CB radio	1
(2)	Grommet	1
(3)	Cushion tape	4
(4)	Plate	1
(5)	Clip	4
(6)	Filter	2
(7)	Filter (waterproof)	1
(8)	Wire tie	3
(9)	Ferrite cushion	1
(10)	Ferrite	1
(11)	User's Guide	1
(12)	FCC Rule Book	1

CB radio (2012 model)
Sold separately (P/N 08E73-MCA-S40 or 08E95-MCA-100B)



For the installation, refer to the included Installation Instructions.

No.	Description	Qty
(1)	CB radio	1
(2)	Cushion tape	2
(3)	User's Guide	1
(4)	FCC Rule Book	1

TOOLS AND SUPPLIES REQUIRED

Socket (8 and 10 mm)
Ratchet
Open-end wrench (14 mm)
Side cutters
Electric drill
Drill bit (3, 6, 10, and 13 mm)
Marker
Ruler, metric
Awl
Scissors
Electrical tape
Torque wrench

TORQUE CHART

Tighten all screws, bolts, and nuts to their specified torque values. Refer to the Service Manual for the torque values of the removed parts.

Item	N-m	kgf-m	lbf-ft
6 mm flange bolt	12	1.2	9

USE AND CARE INFORMATION

- Check the accessory mounts frequently and retighten if necessary.

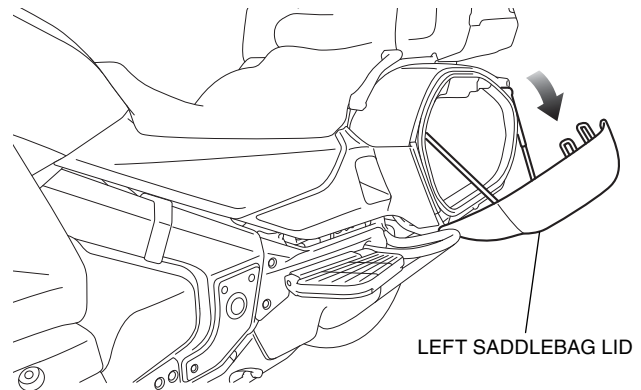
INSTALLATION

NOTE:

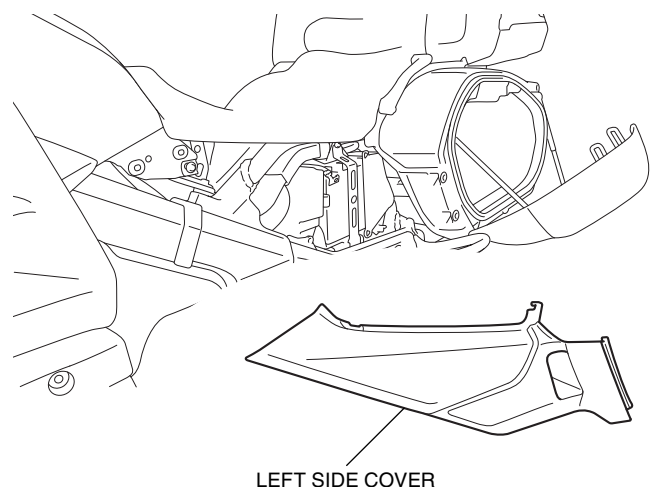
- CB radio (08E95-MCA-100A, 08E73-MCA-S40, or 08E95-MCA-100B) is required for installation of this accessory.
- Disconnect the negative (-) cable from the battery before installing this accessory.
- After turning the ignition switch OFF, wait more than 10 seconds and then remove the negative cable of the battery.
- The memories of the tripmeter, clock, and suspension system will be erased when you disconnect the battery. Reset the clock and suspension after reconnecting the battery.
- This accessory is designed to be used exclusively with the CB radio.
- For through 2010 model, this accessory should be installed immediately before installing the fuel tank cover, etc., after the CB radio harness has been routed.

- Open the left saddlebag as shown.

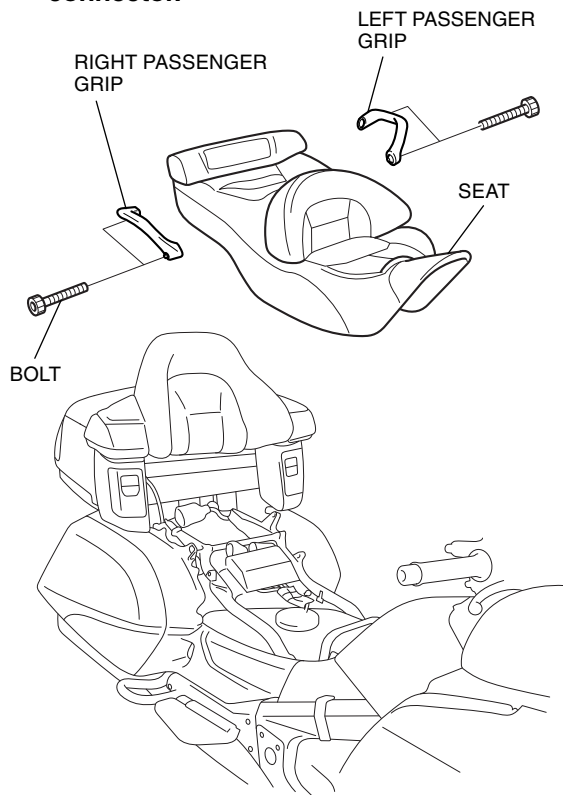
<2012 model>



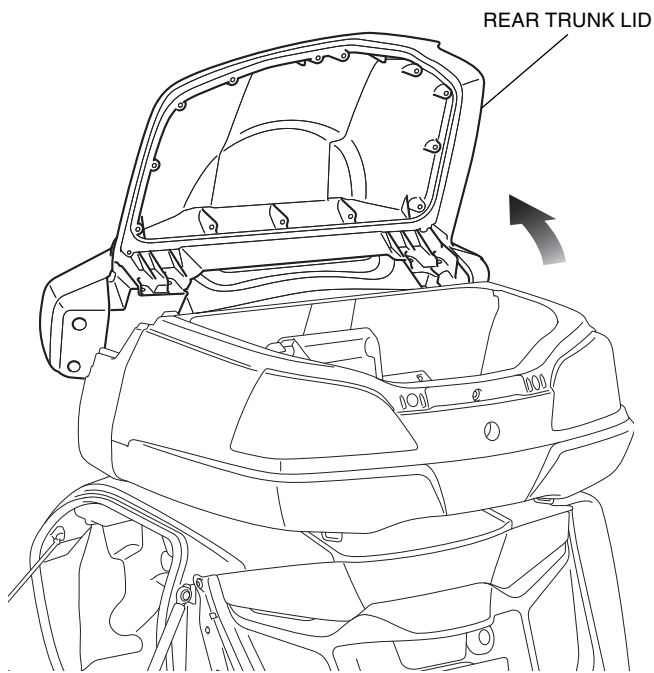
- Remove the left side cover, and disconnect the negative (-) cable of the battery.



3. Remove the passenger grips and seat as shown.
 - For the type with heated seat: Disconnect the connector.

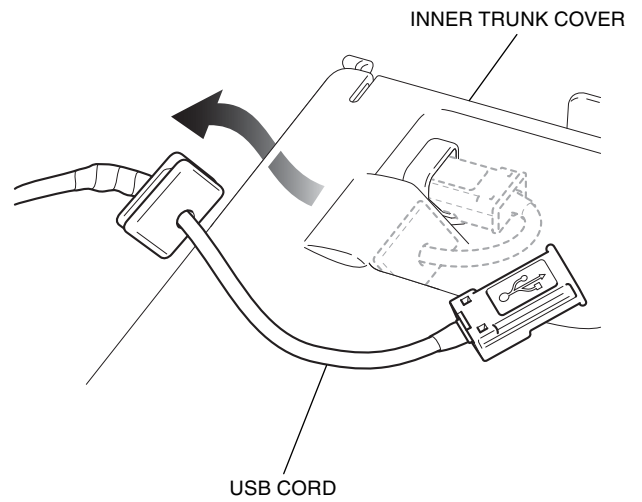


4. Open the rear trunk as shown.



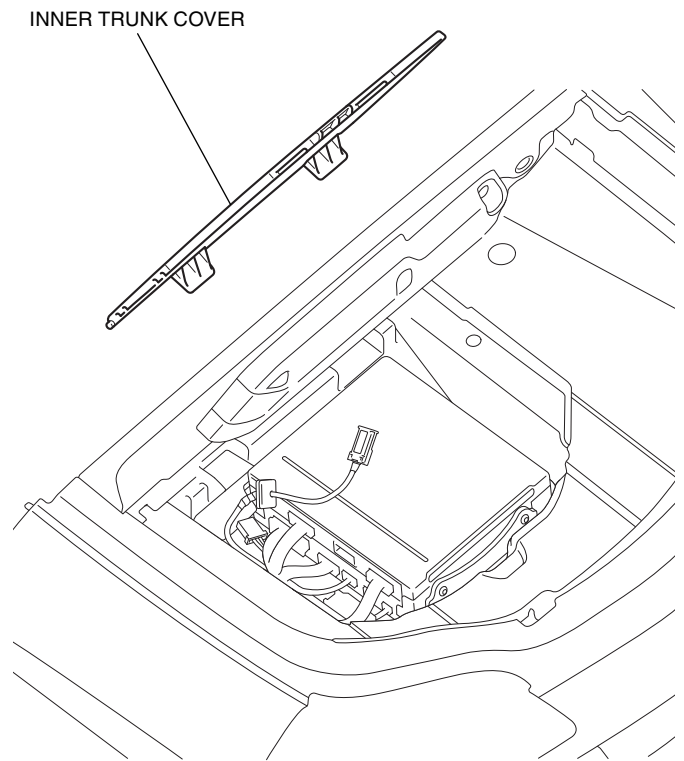
5. Remove the USB cord from the inner trunk cover as shown.

<2012 model>

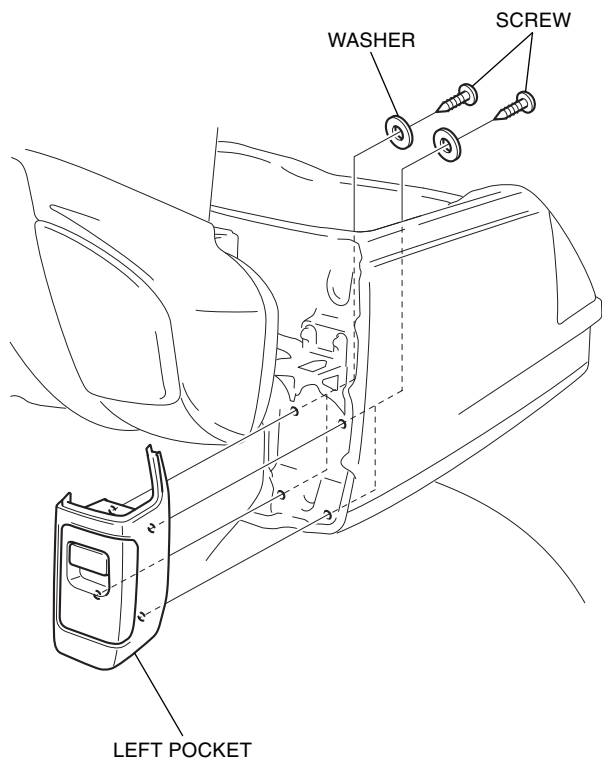


6. Remove the inner trunk cover as shown.

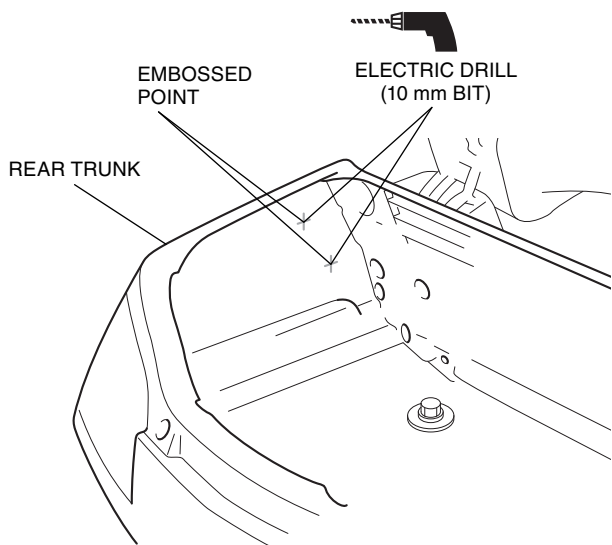
<2012 model>



7. Remove the left pocket as shown.



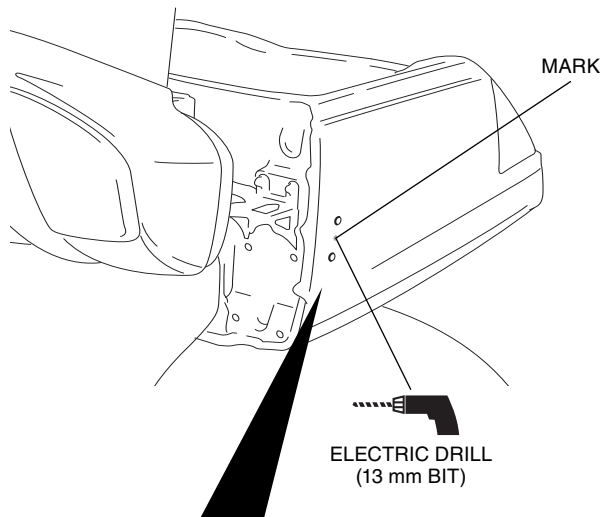
8. Drill at the embossed points using an electric drill.



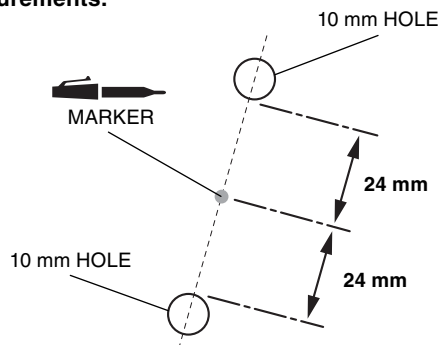
9. Using the 10 mm holes you made in Step 8 as a guide, mark the trunk as shown below.

Drill at the marked point you just made using an electric drill starting with a 3 mm, 6 mm and finally with a 13 mm drill bit.

- Remove any burrs from the edge of the hole.

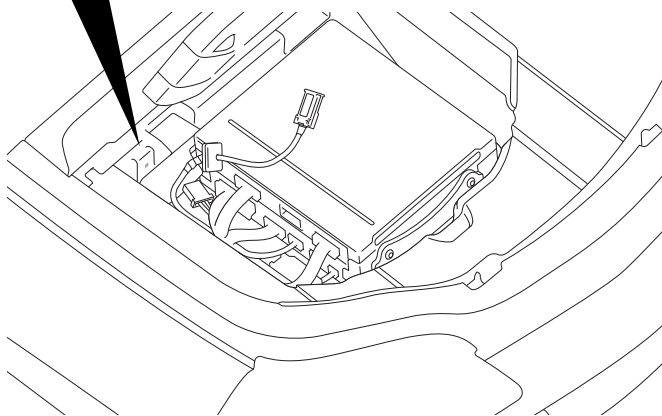
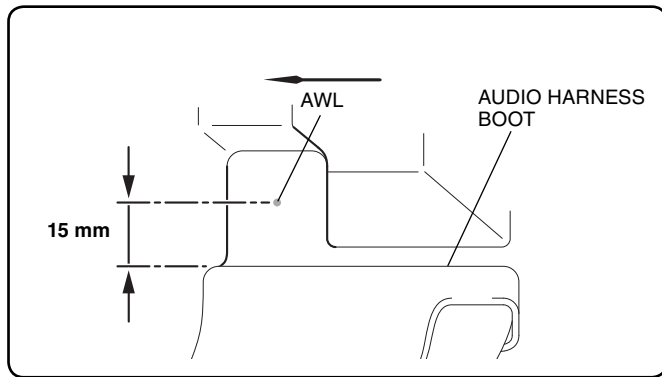


To measure the antenna harness hole location. Use the previously drilled holes as reference for your measurements.



10. Mark the rear trunk in the position shown using an awl.

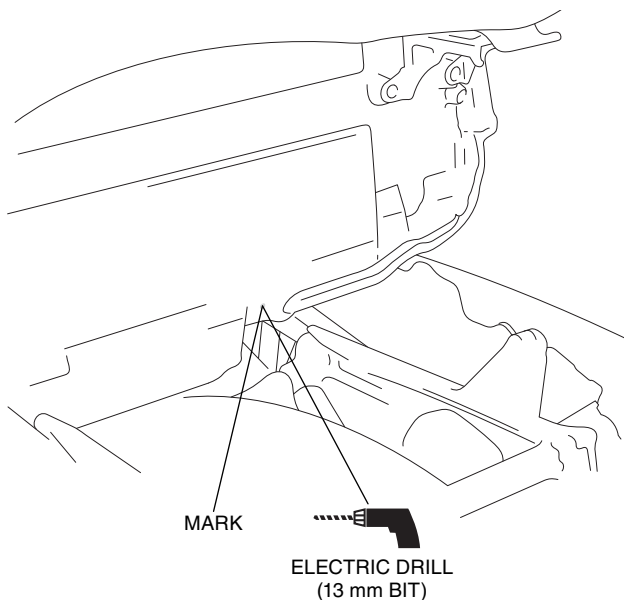
<2012 model>



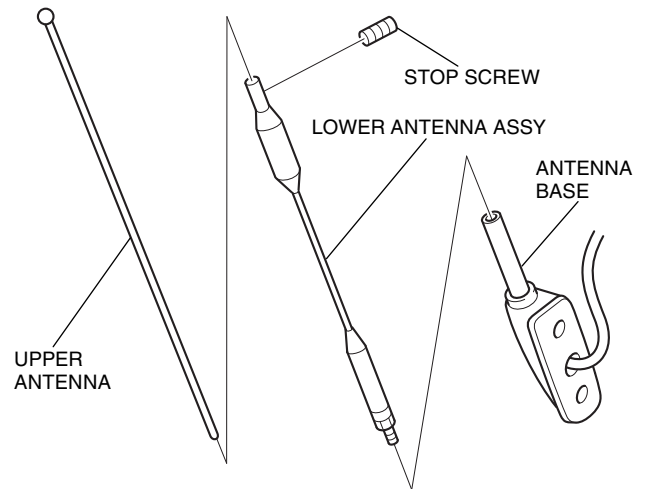
11. Drill at the marked point you just made using an electric drill starting with a 3 mm, 6 mm and finally with a 13 mm drill bit.

- Remove any burrs from the edge of the hole.

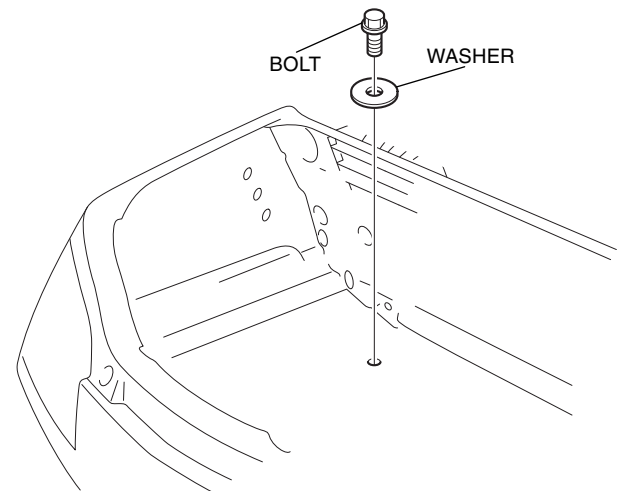
<2012 model>



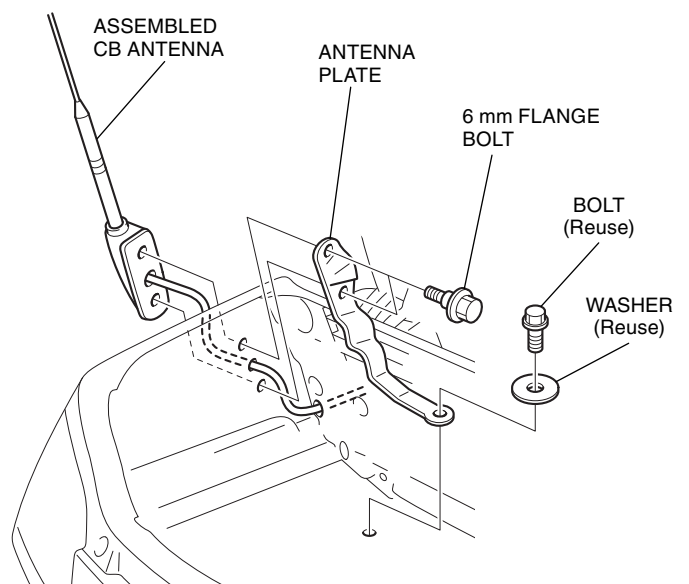
12. Assemble the antenna base, lower antenna assembly and upper antenna as shown.



13. Remove the bolt as shown.

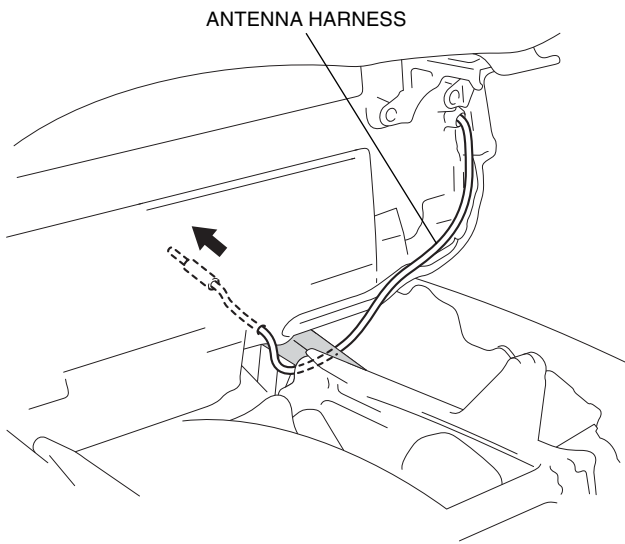


14. Install the assembled CB antenna on the rear trunk as shown.



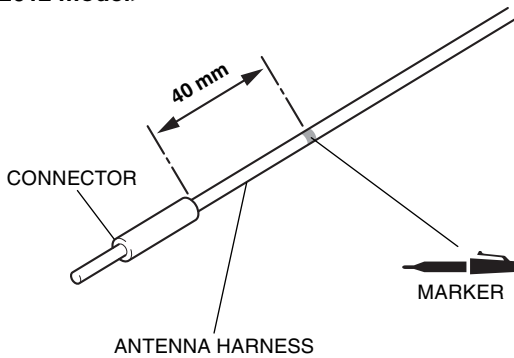
15. Route the antenna harness to the CB antenna harness as shown.

<2012 model>



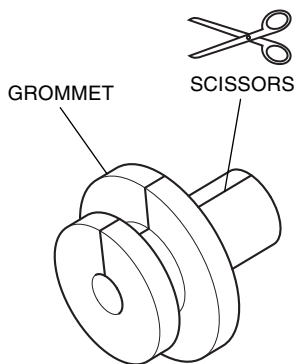
16. Mark the antenna harness 40 mm from the connector as shown.

<2012 model>



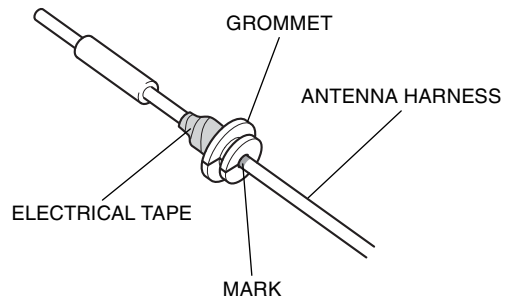
17. Cut the grommet as shown.

<2012 model>



18. Install the grommet as shown at the marked position.

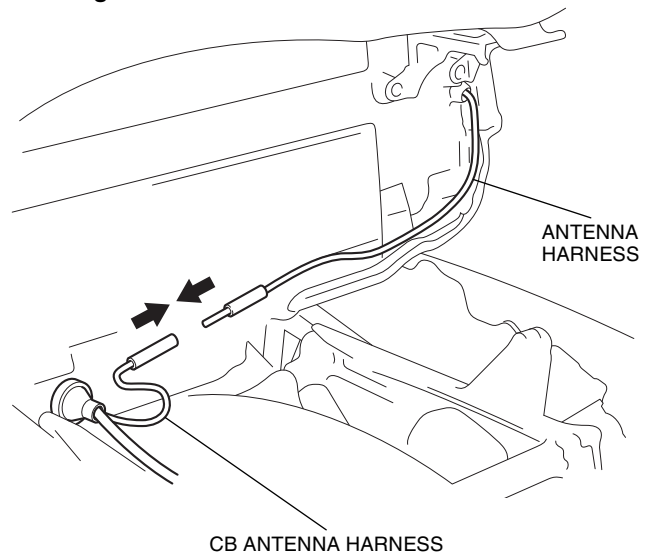
<2012 model>



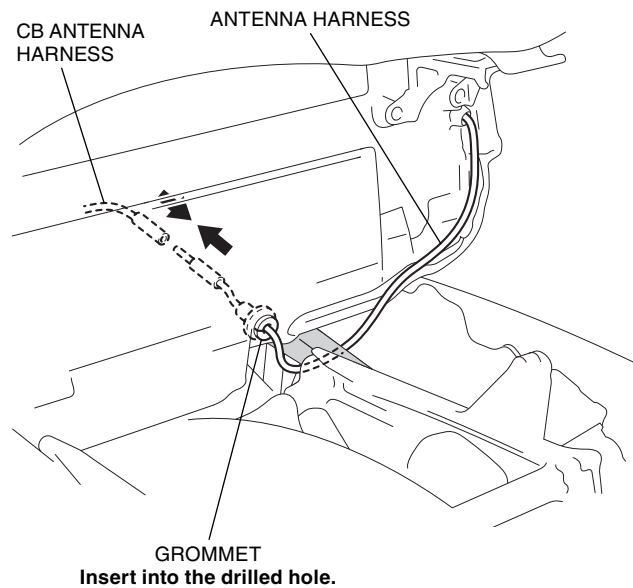
19. Install the CB radio.

20. Route and connect the antenna harness to the CB antenna harness as shown.

<Through 2010 model>



<2012 model>



21. Install the motorcycle's parts in the reverse order of removal.

CONFIRMATION AFTER INSTALLATION

- Raise the lower antenna assembly, tilt the antenna forward and tighten the nut.

