



INSTALLATION INSTRUCTIONS

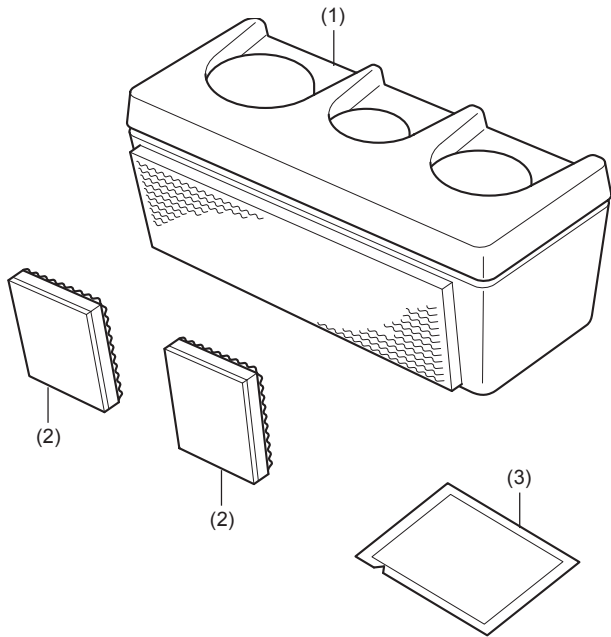
Accessory
COIN HOLDER
P/N 08U08-MCA-100

Application
GL1800

Publications No.
MII 11185
Issue Date
July 2005

Honda Dealer: Please give a copy of these instructions to your customer.

PARTS LIST



No.	Description	Qty
(1)	Coin holder	1
(2)	Velcro tape	2
(3)	Alcohol pad	1

SUPPLY REQUIRED

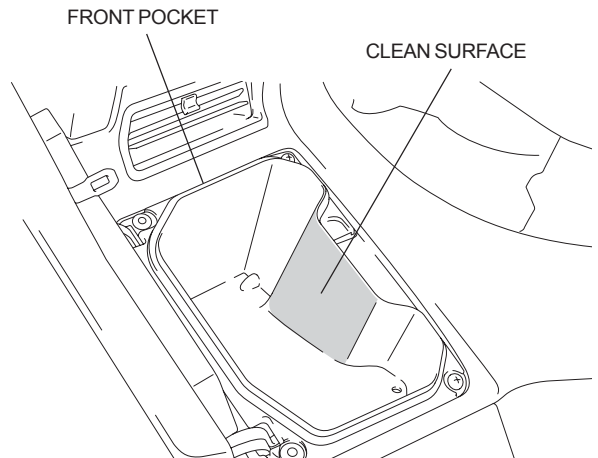
Ruler

INSTALLATION

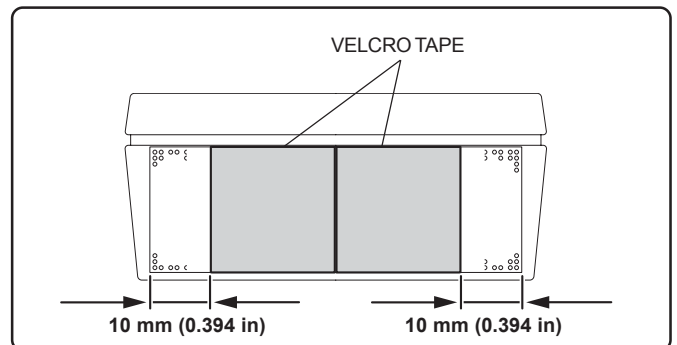
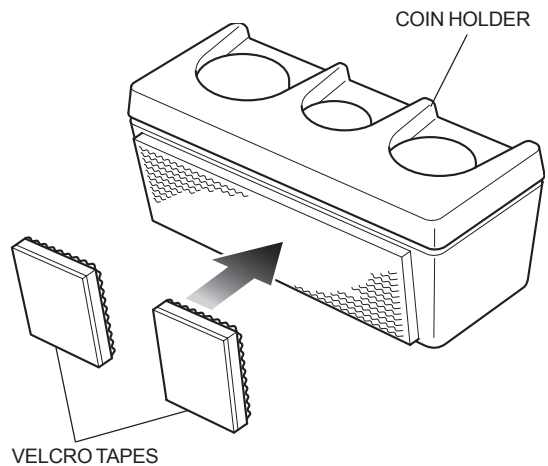
NOTE:

- The high tack adhesive reaches full strength in 72 hours. Wait at least 24 hours before riding your motorcycle.

- Clean the area shown with the alcohol pad.



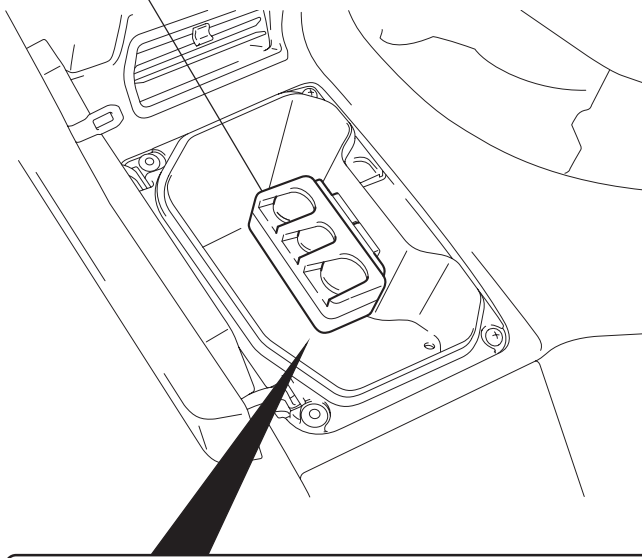
- Attach the velcro tapes to the coin holder.



3. Install the coin holder in the position shown.

COIN HOLDER

Remove the adhesive backing from the velcro tapes and attach the coin holder to the flat surface securely.



Side View

