

INSTALLATION INSTRUCTIONS

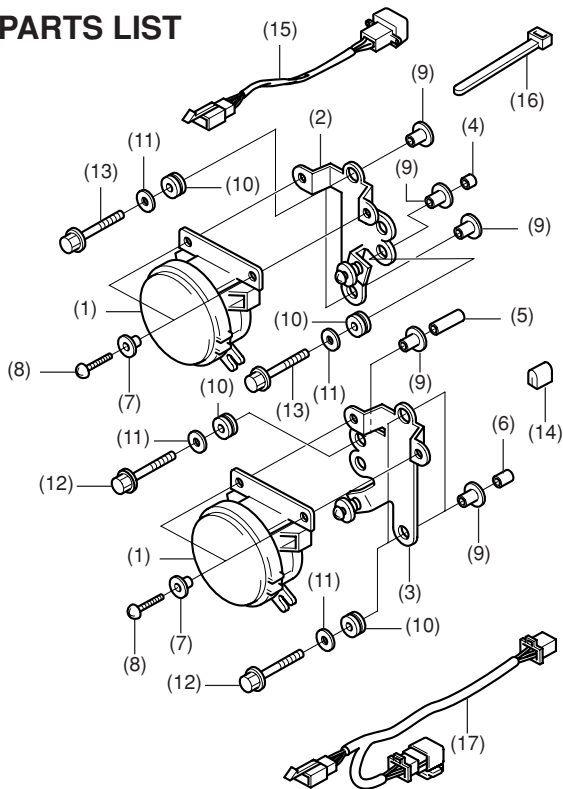
Accessory
FOG LAMP
 P/N 08V31-MCA-100

Application
GL1800

Publications No.
 Issue Date
September 2000

Honda Dealer: Please give a copy of this instruction to your customer.

PARTS LIST



No.	Description	Q'ty
(1)	Fog lamp	2
(2)	Right bracket	1
(3)	Left bracket	1
(4)	Collar (short)	1
(5)	Collar (long)	1
(6)	Collar (medium)	2
(7)	Flange collar (small)	4
(8)	5 mm Screw	4
(9)	Flange collar (short)	6
(10)	Grommet	6
(11)	Washer	6
(12)	6 mm SH flange bolt (long)	3
(13)	6 mm SH flange bolt (short)	3
(14)	Molding	2
(15)	Switch	1
(16)	Wire tie	3
(17)	Fog lamp sub harness	1

TOOLS AND SUPPLIES REQUIRED

- Socket (10 mm)
- Ratchet
- Phillips ® screwdriver
- Nippers
- File
- Honda Bond A
- Torque wrench

TORQUE CHART

Be sure to tighten all screws, bolts and nuts to their specified torques.

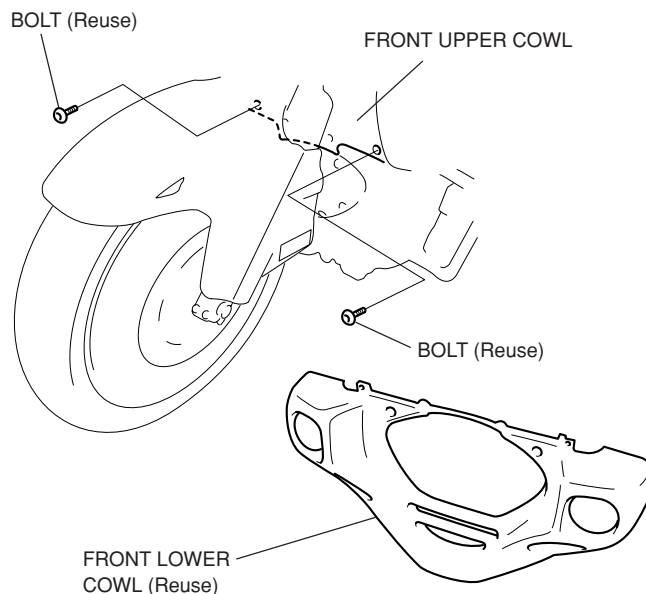
Item	N·m	kgf·m	lbf·ft
5 mm Screw	4	0.4	2.9
6 mm SH flange bolt and nut	9	0.9	6.5

INSTALLATION

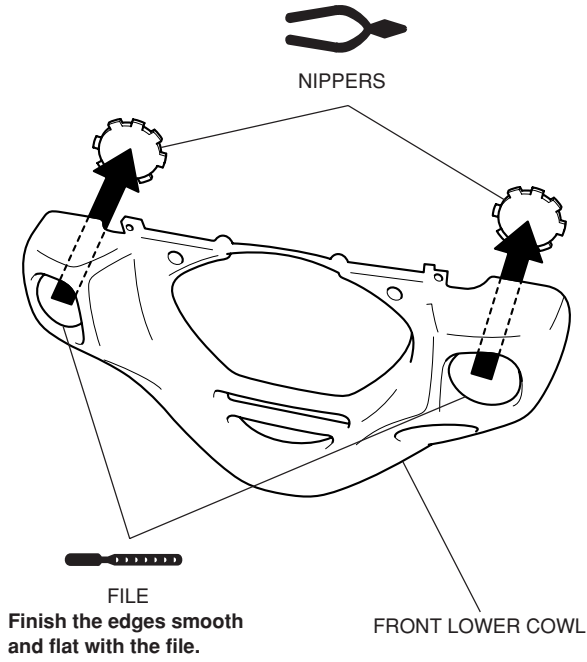
NOTE:

- To prevent scalding, allow the engine and cooling system to cool before installing the radiator cowl.

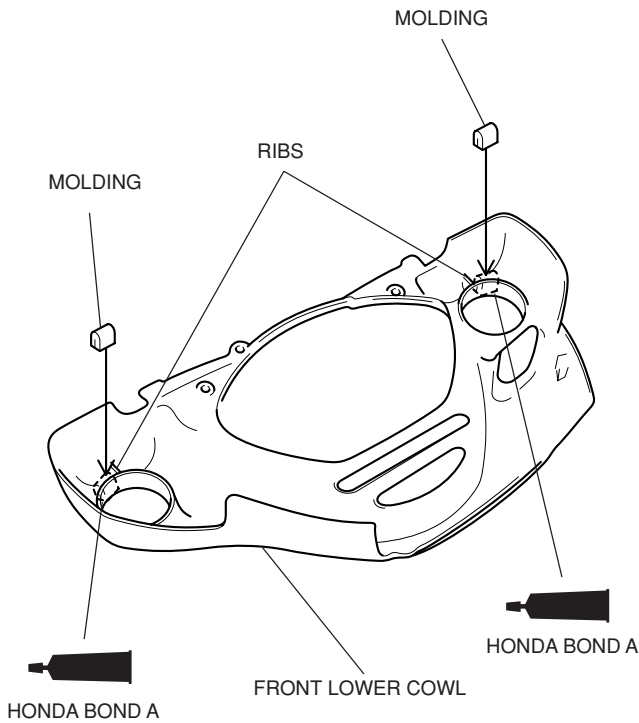
1. Disconnect the negative cable from the battery.
2. Remove the front lower cowl and bolts as described in the Service Manual.



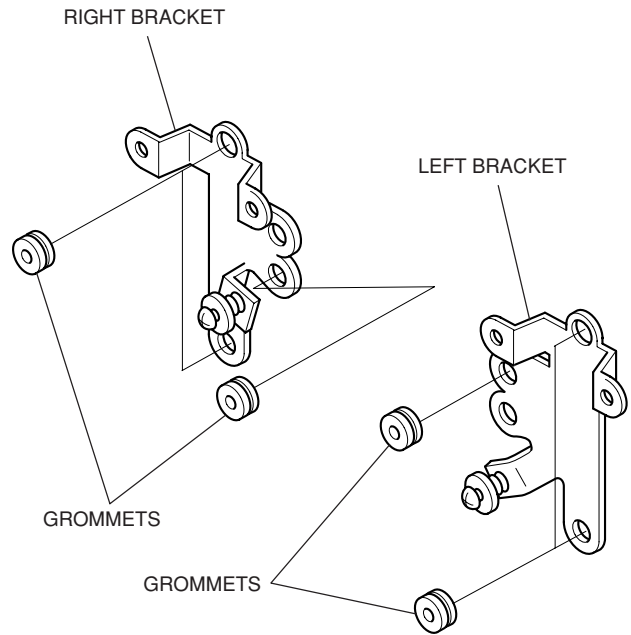
- Using nippers, cut out the marked areas from the front lower cowl. Finish the edges of the holes smooth and flat with a file.



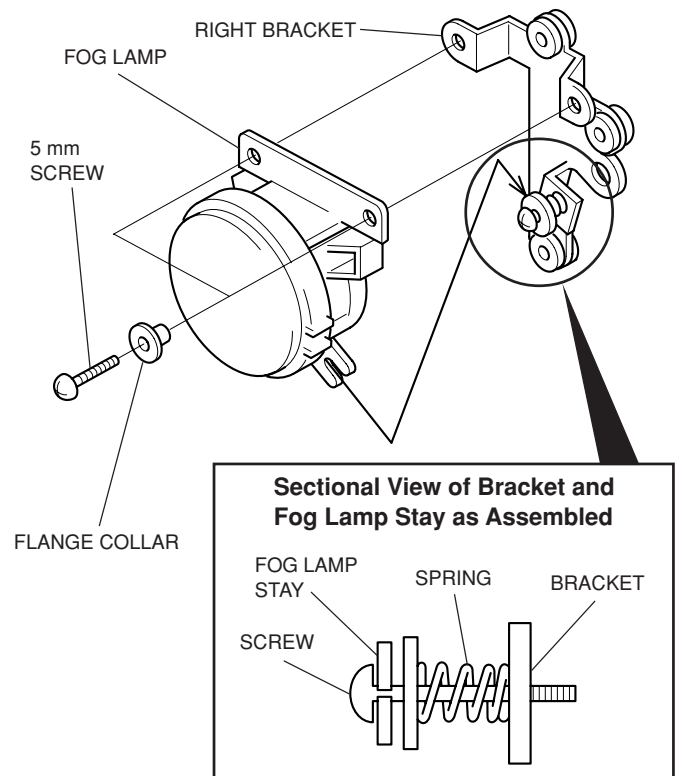
- Attach the moldings to the front lower cowl in the areas shown.



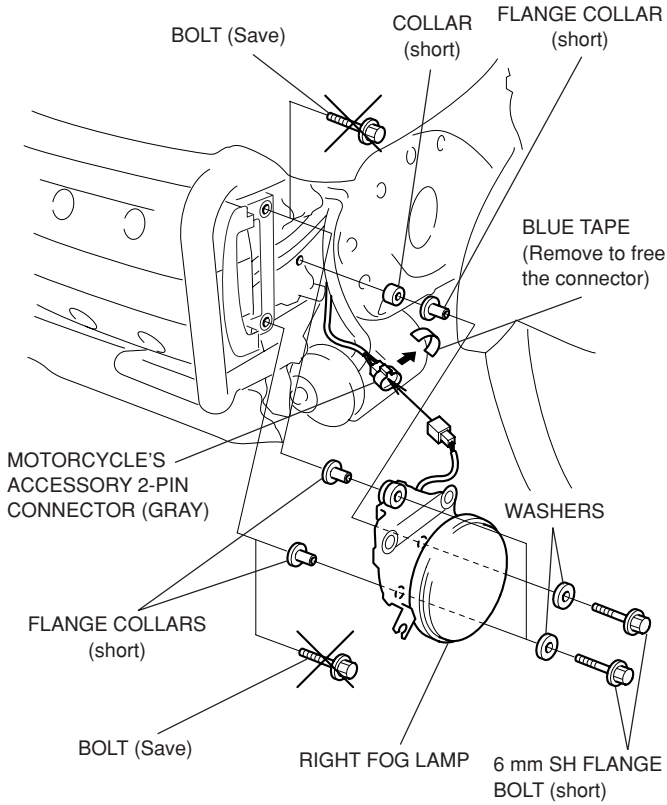
- Install the grommets in the holes of the right and left stays.



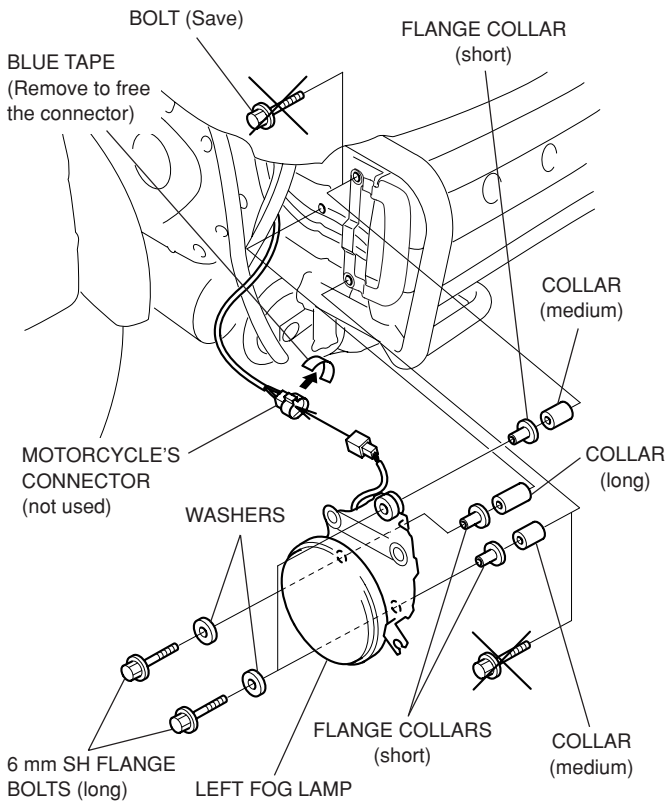
- Install the right bracket on the fog lamp as shown.



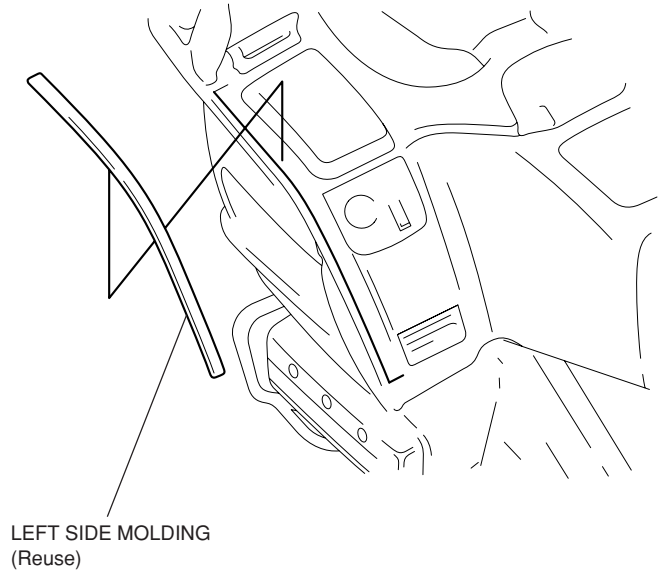
- Install the left bracket on the fog lamp.
- Install the right fog lamp on the motorcycle as shown.



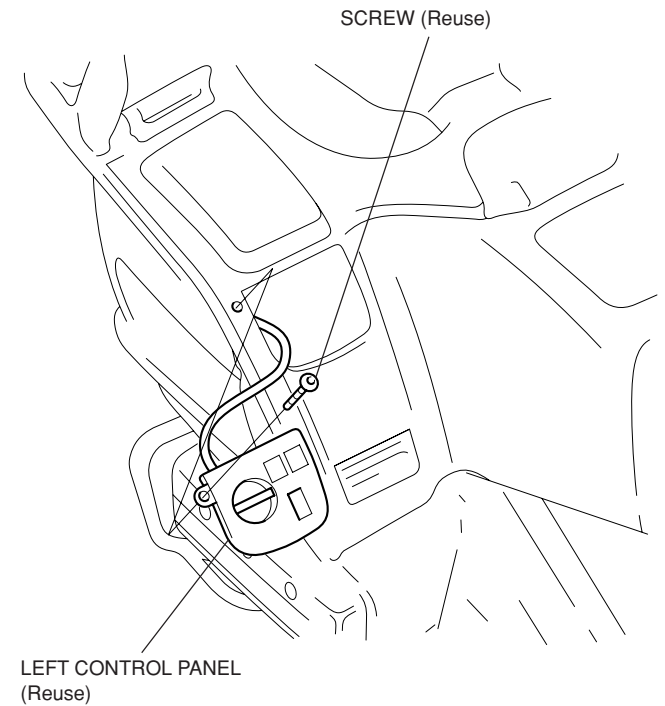
- Install the left fog lamp as shown.



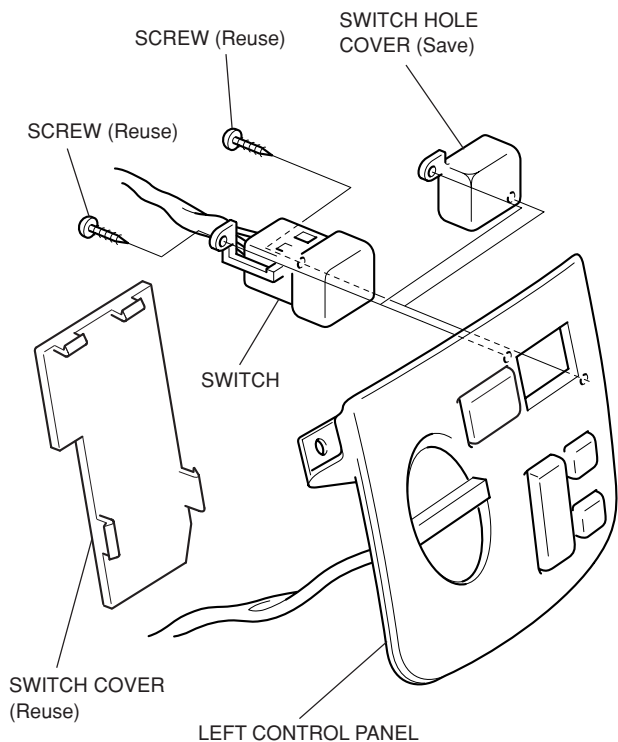
- Remove the left side molding.



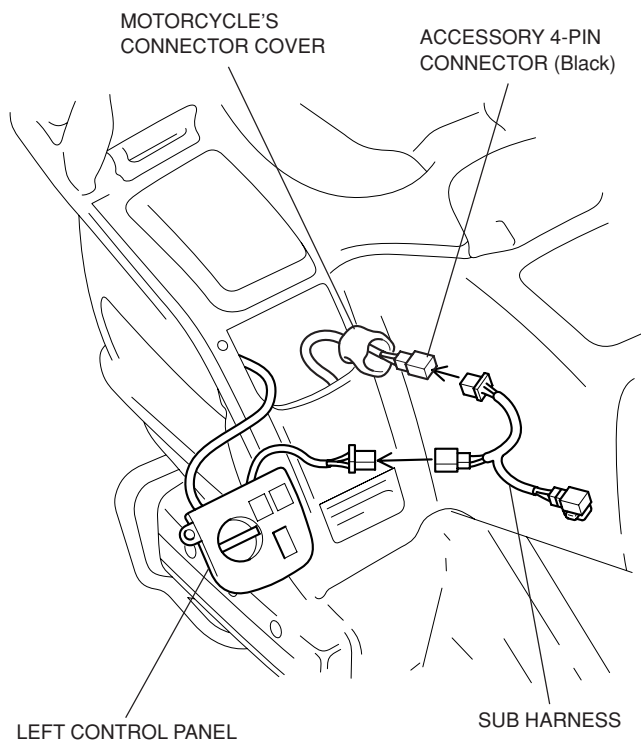
- Remove the left control panel.



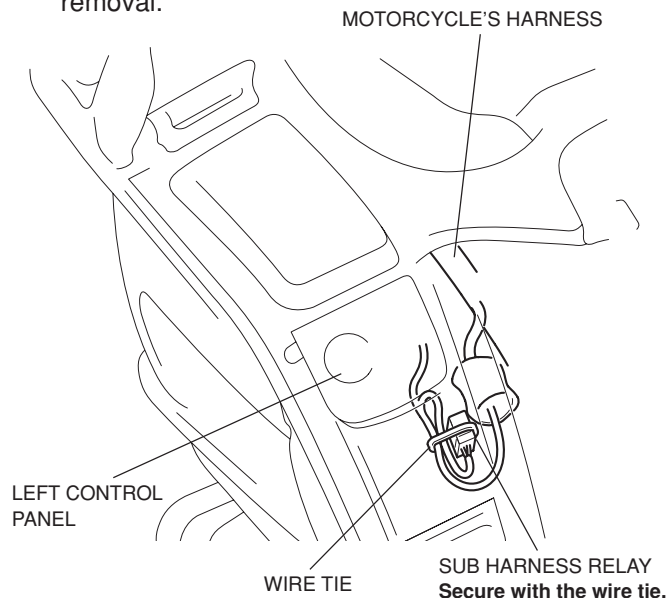
12. Remove the switch cover, install the switch on the left control panel.



13. Plug the 4-pin connector from the switch and sub harness into the motorcycle's accessory 4-pin connector.

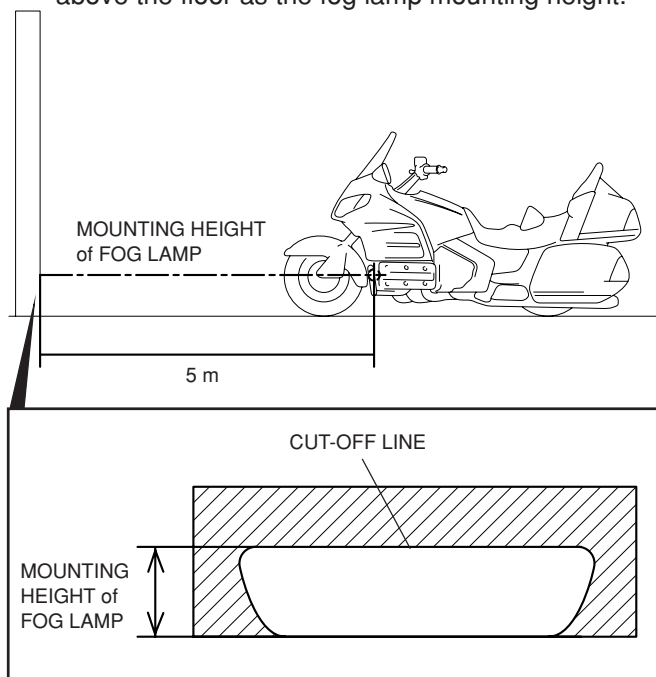


14. After installing the sub harness, reinstall the left control panel and side molding in the reverse order of removal.



ADJUSTING THE FOG LAMP AIMING

15. Connect the negative cable to the battery.
16. Place the motorcycle on a level surface, 5 m away from the aiming screen.
17. Measure the mounting height of the fog lamp from the floor.
18. Aim the fog lamps so that the cut-off line of the light pattern on the aiming screen is the same distance above the floor as the fog lamp mounting height.



19. Reinstall the front under cowl in the reverse order of removal.