



INSTALLATION INSTRUCTIONS

Accessory
FRONT FENDER ORNAMENT
 P/N 08F85-MCA-100L
 08F85-MCA-100
 08F85-MCA-100K

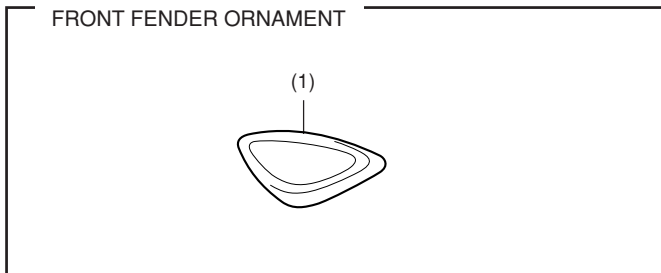
Application
GL1800

Publications No.
 Issue Date
January 2001

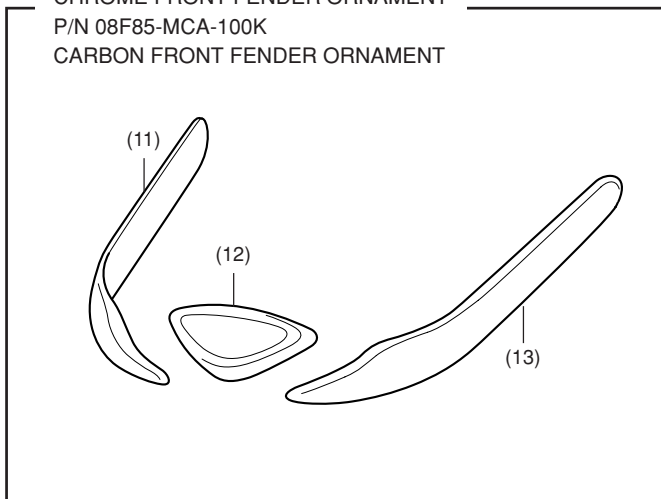
Honda Dealer: Please give a copy of this instruction to your customer.

PARTS LIST

P/N 08F85-MCA-100L
 FRONT FENDER ORNAMENT



P/N 08F85-MCA-100
 CHROME FRONT FENDER ORNAMENT
 P/N 08F85-MCA-100K
 CARBON FRONT FENDER ORNAMENT



No.	Description	Q'ty
(1)	Front fender ornament	1

No.	Description	Q'ty
(11)	Front fender ornament	1
(12)	Right front fender molding	1
(13)	Left front fender molding	1

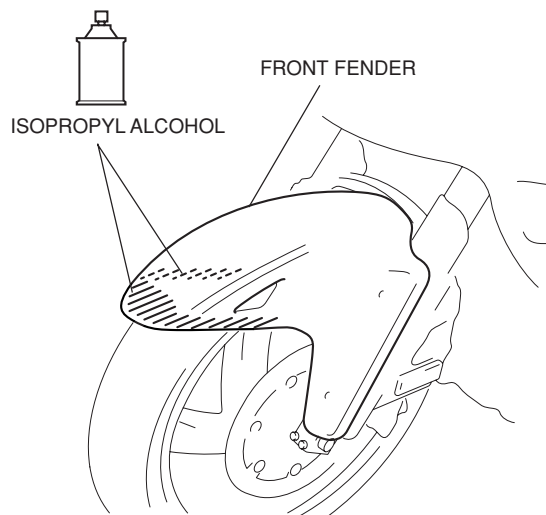
TOOLS REQUIRED

- Pencil
- Isopropyl alcohol
- Shop towel

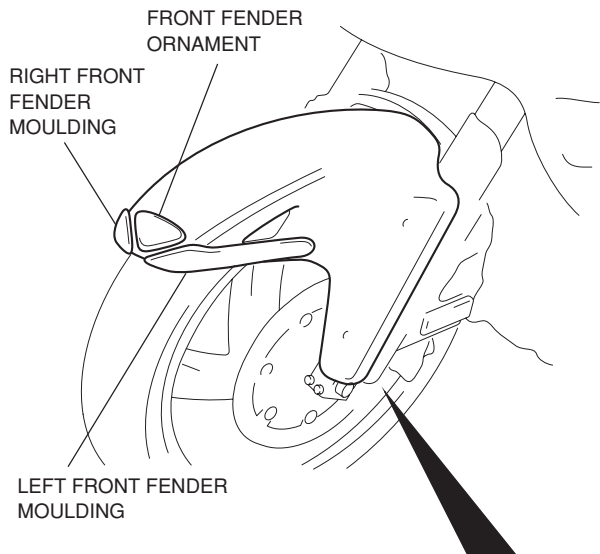
INSTALLATION

NOTE:

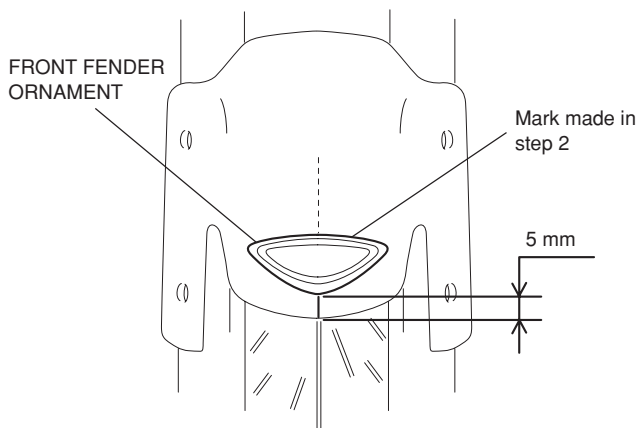
- The high tack adhesive reaches full strength in 72 hours. Wait at least 24 hours before riding your motorcycle.
- Using an isopropyl alcohol, thoroughly clean the marked areas of the front fender as shown.



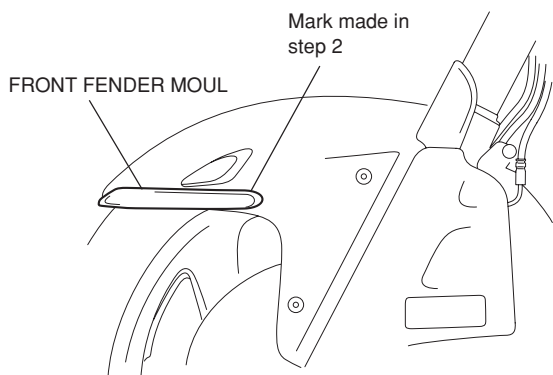
2. Position the front fender ornament and right and left front fender moldings on the front fender and mark the outer edges of the ornament and moldings on the front fender. Remove the ornament and moldings.



Align the center of the ornament with the scribed line on the inside of the front fender as shown.



Check that the front fender moldings are positioned equally on both sides.



3. Remove the paper backing from the adhesive on the ornament and moldings and attach them to the front fender as indicated by the marks.