



INSTALLATION INSTRUCTIONS

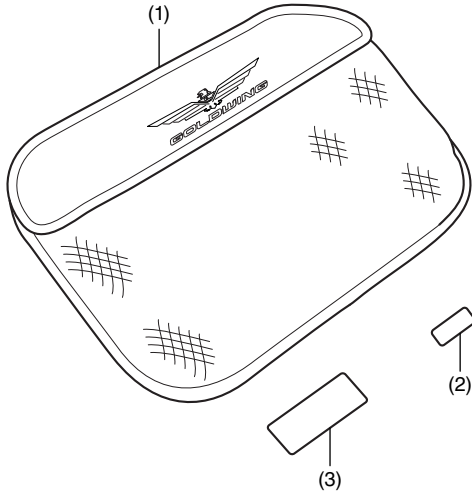
Accessory
INNER SADDLEBAG LID ORGANIZER
P/N 08L63-MCA-100C

Application
GL1800

Publication No.
MII 13574
Issue Date
February 2011

Honda Dealer: Please give a copy of these instructions to your customer.

PARTS LIST



No.	Description	Qty
(1)	Inner saddlebag lid organizer	1
(2)	Safety label (small)	1
(3)	Safety label (large)	1

SUPPLIES REQUIRED

Isopropyl alcohol
Shop towel

USE AND CARE INFORMATION

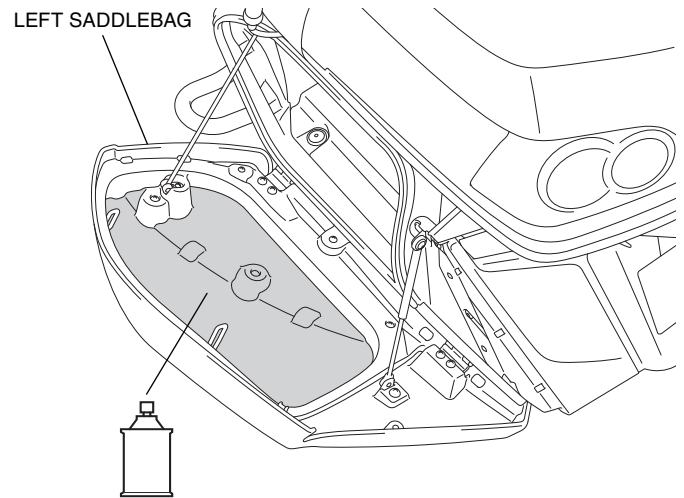
- The weight of the cargo must not exceed the following maximum weight capacity:

Maximum Weight Capacity	
Inner saddlebag lid organizer	1.0 lbs (0.45 kg)

INSTALLATION

NOTE:

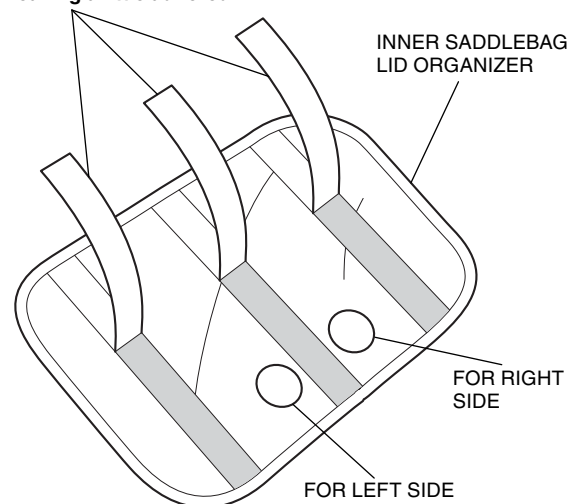
- Heat the bonding surfaces with a hair dryer if the ambient air temperature is below 70°F (21°C).
 - The adhesive reaches full strength in 72 hours. Wait at least 24 hours before riding your motorcycle.
- Open the left saddlebag and clean the area shown with a shop towel and isopropyl alcohol.



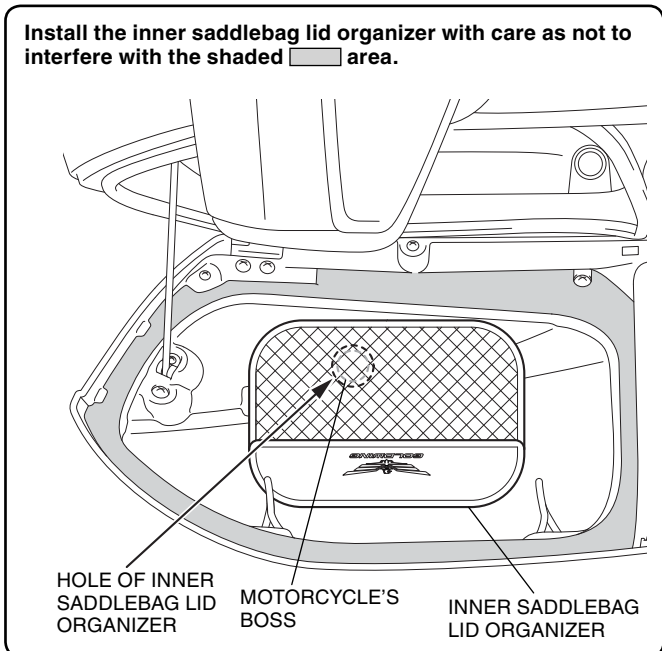
ISOPROPYL ALCOHOL
Thoroughly clean the area where the inner saddlebag lid organizer will be attached.

- Peel back the adhesive backings on the back of the inner saddlebag lid organizer with a small part of the adhesive backings remained attached as shown.

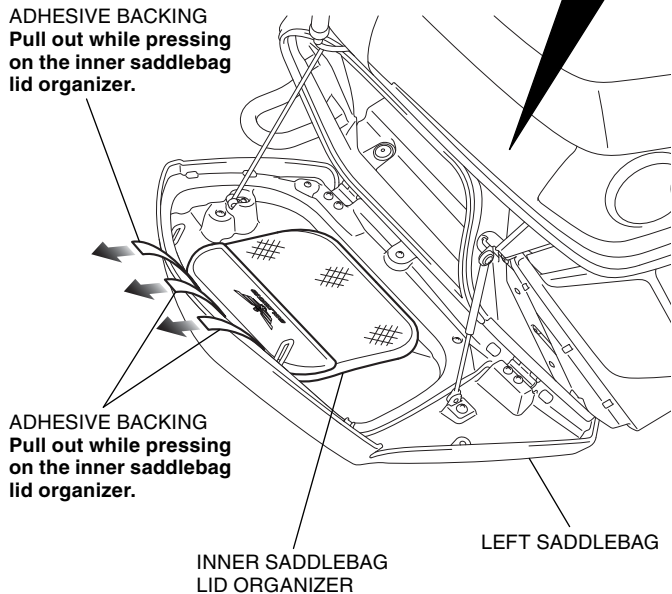
ADHESIVE BACKING
Peel back leaving a little adhered.



- Attach the inner saddlebag lid organizer to the left saddlebag as shown. Pull out the adhesive backings while pressing on the inner saddlebag lid organizer to secure it.



ADHESIVE BACKING
Pull out while pressing on the inner saddlebag lid organizer.



- Attach the safety labels in the position shown.

