

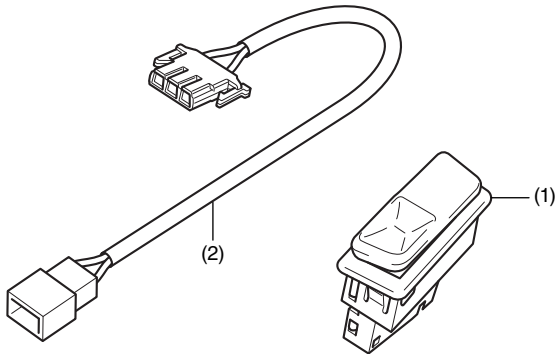


INSTALLATION INSTRUCTIONS

Accessory	Application	Publication No.
PUSH TO TALK SWITCH P/N 08E96-MCA-101B	GL1800	MII 13574
		Issue Date February 2011

Honda Dealer: Please give a copy of these instructions to your customer.

PARTS LIST



No.	Description	Qty
(1)	Switch	1
(2)	Switch harness	1

SUPPLIES REQUIRED

- Side cutters
- Electric drill
- Drill bit (3 mm and 5 mm)
- Marker
- Ruler
- Awl
- Scissors
- File

TORQUE CHART

Refer to the Service Manual for the torque values of the removed parts.

USE AND CARE INFORMATION

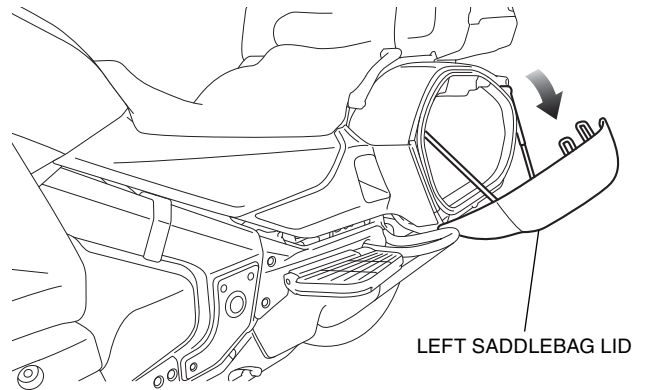
- Check the accessory mounts frequently.

INSTALLATION

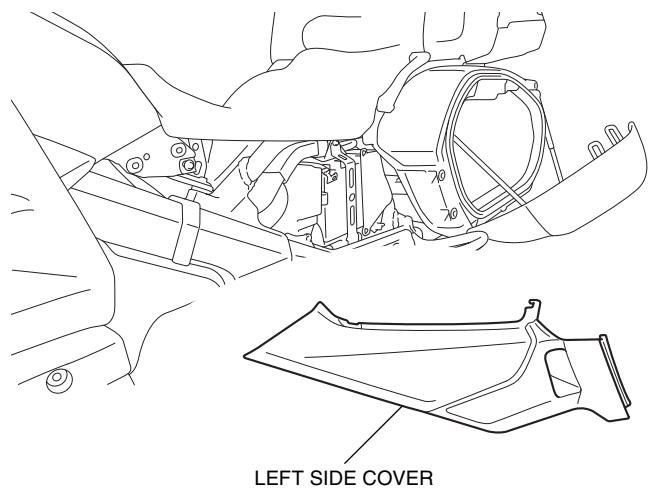
NOTE:

- Disconnect the negative (-) cable from the battery before installing this accessory.
- The memories of the tripmeter, clock and suspension system will be erased when you disconnect the battery. Reset the clock and suspension after reconnecting the battery.

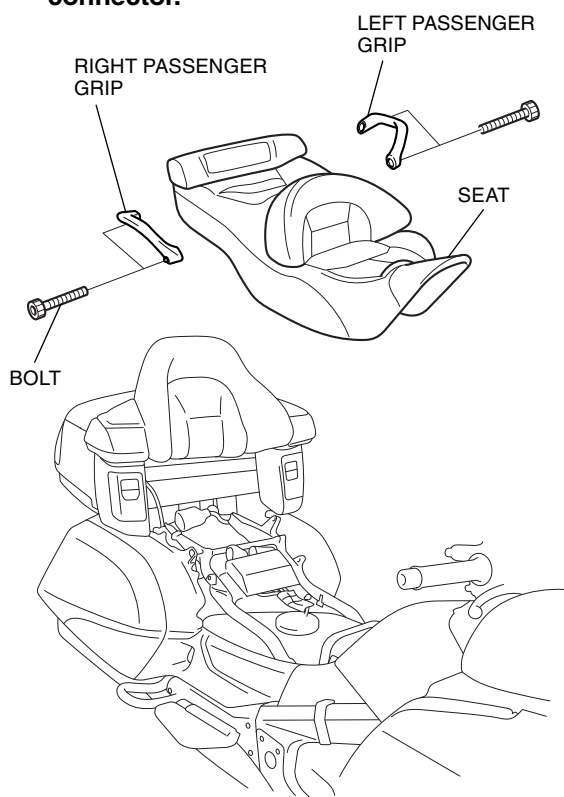
- Open the left saddlebag as shown.



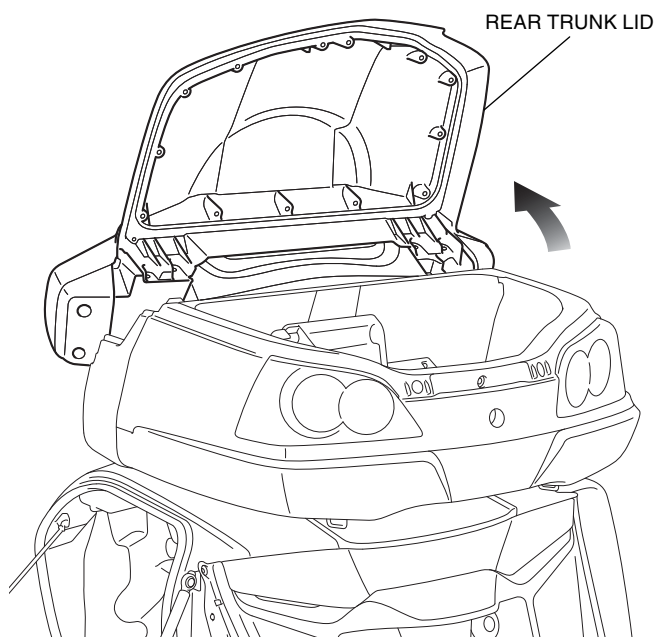
- Remove the left side cover, and disconnect the negative (-) cable of the battery.



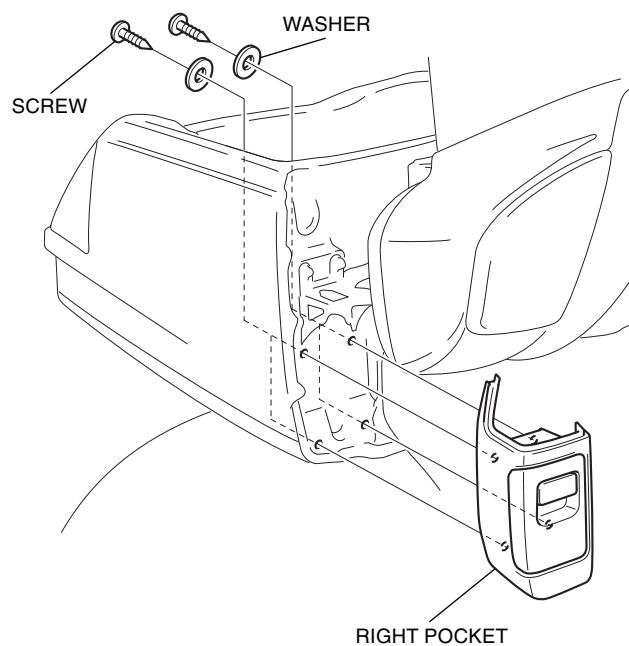
3. Remove the passenger grips and seat as shown.
 - For the type with heated seat: **Disconnect the connector.**



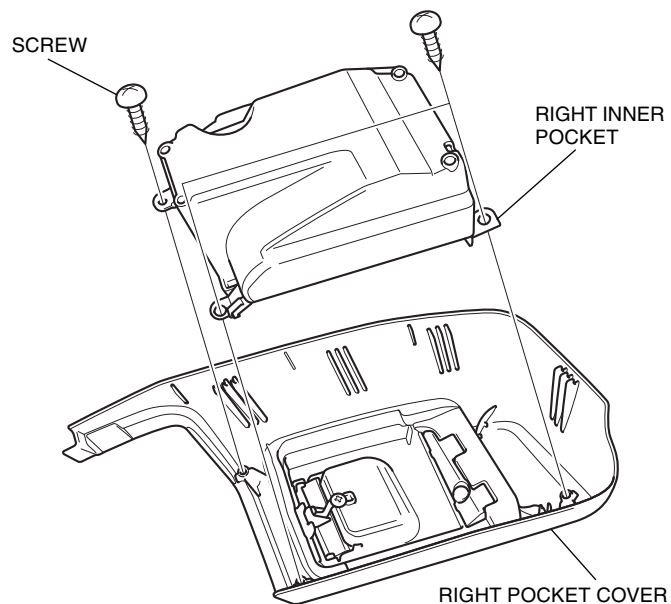
4. Open the rear trunk as shown.



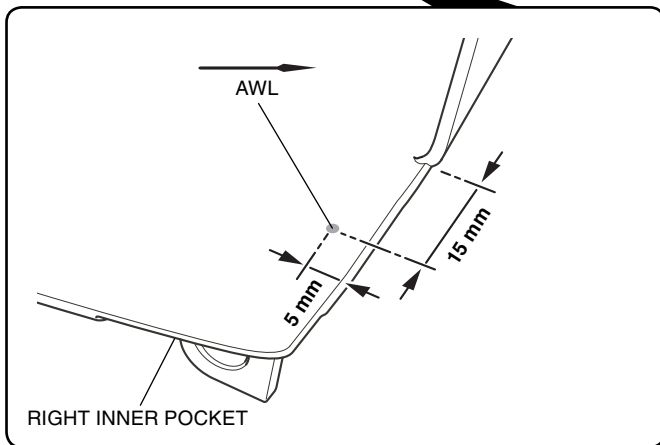
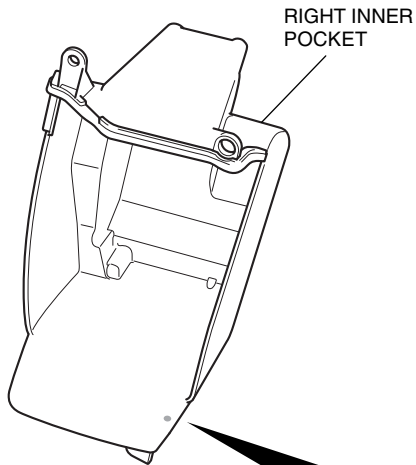
5. Remove the right pocket assembly as shown.



6. Remove the right inner pocket as shown.

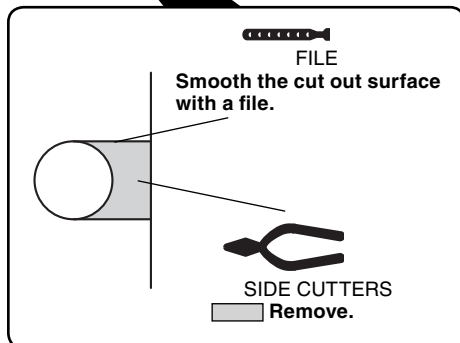
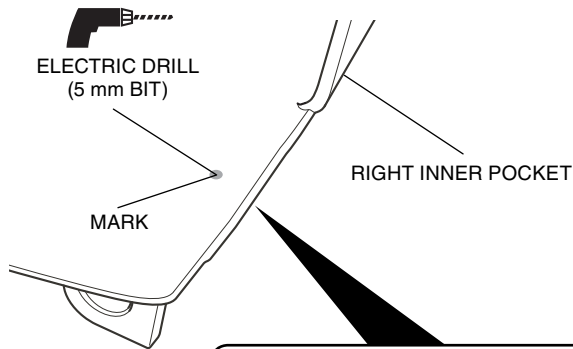


7. Mark the right inner pocket at the position shown using an awl.

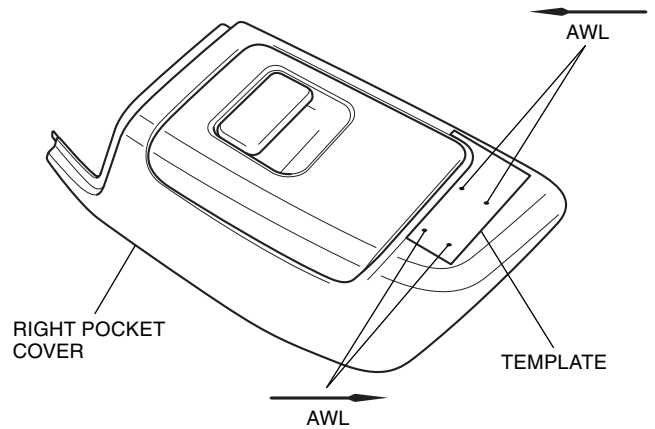


8. Drill a hole and then cut out the shaded area as shown.

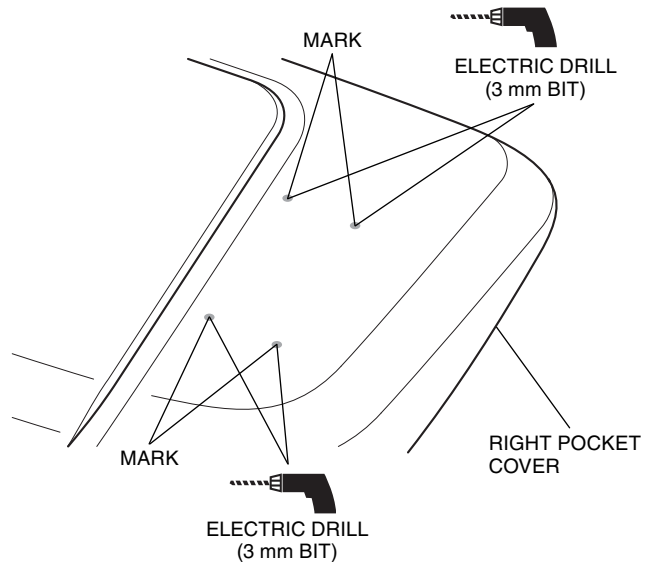
- After cutting, remove any burrs.



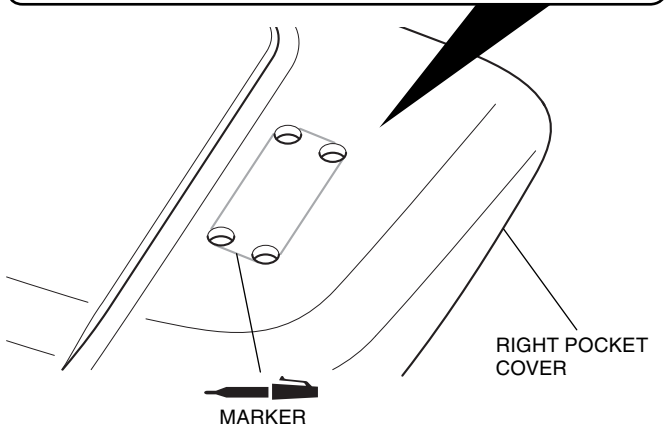
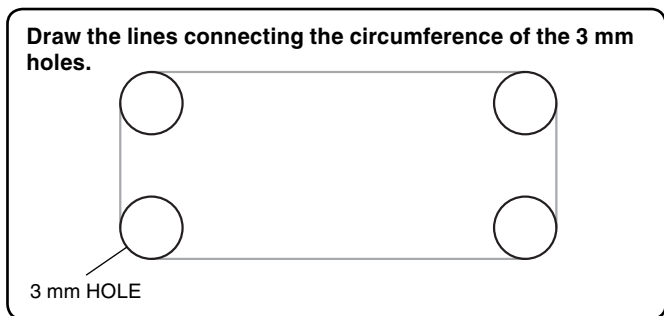
9. Cut out the template and attach it to the right pocket cover in the position shown. Mark the cover in the position shown using an awl.



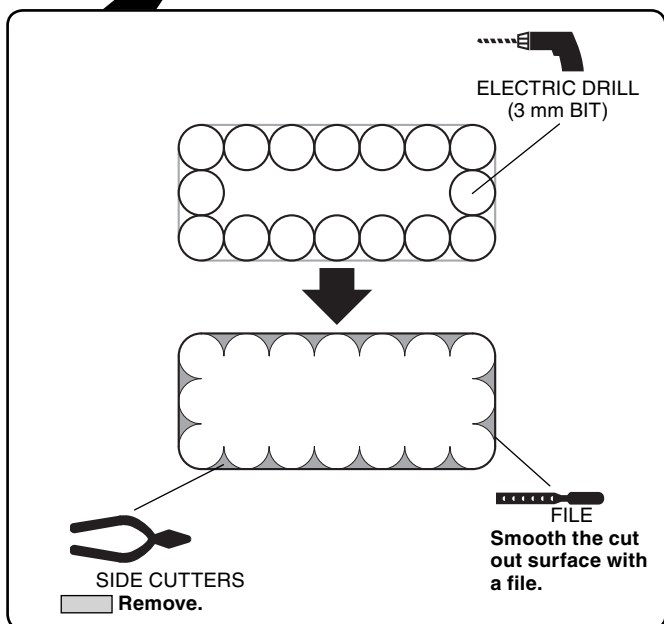
10. Remove the template. Drill at the marked points you just made using an electric drill.



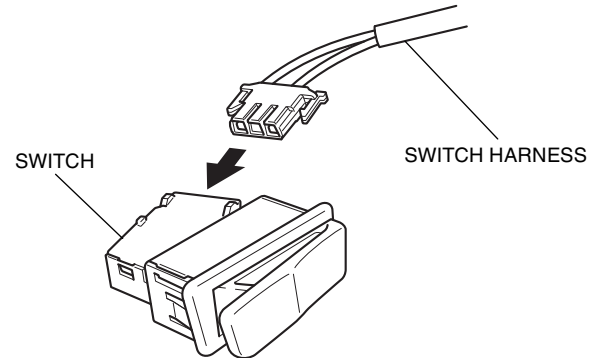
11. Draw lines as shown.



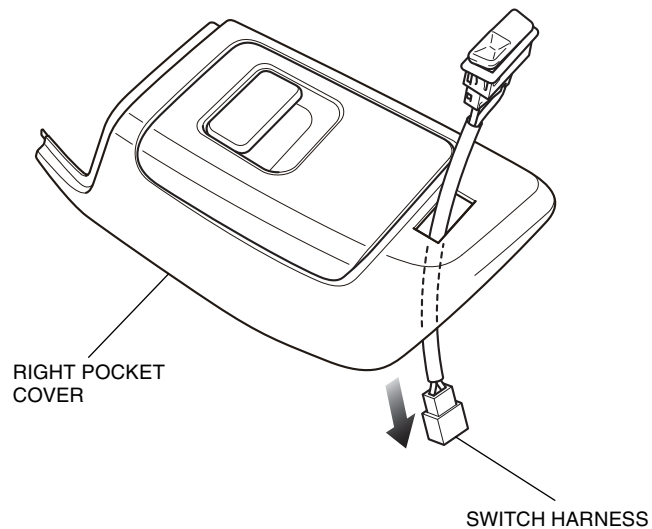
12. Make an opening in the right pocket cover as shown.
• After cutting, remove any burrs.



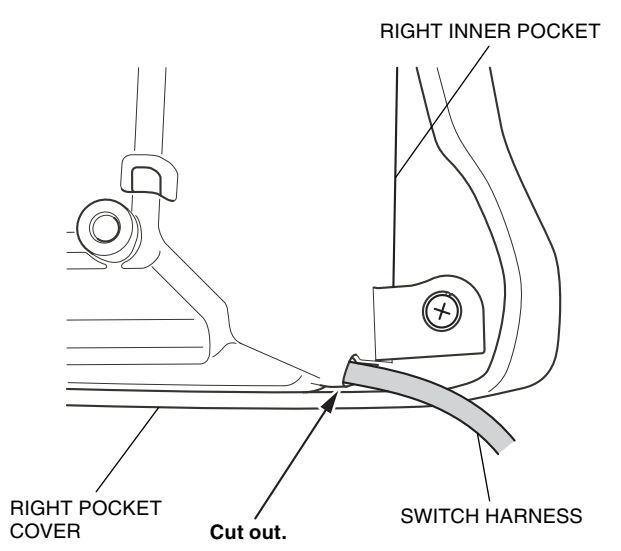
13. Connect the switch harness as shown.



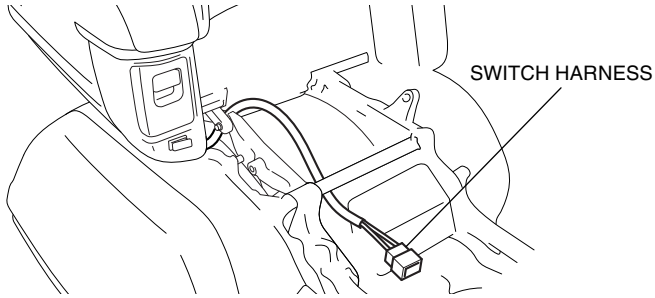
14. Route the switch harness through the hole you made in the right pocket cover and install the switch as shown.



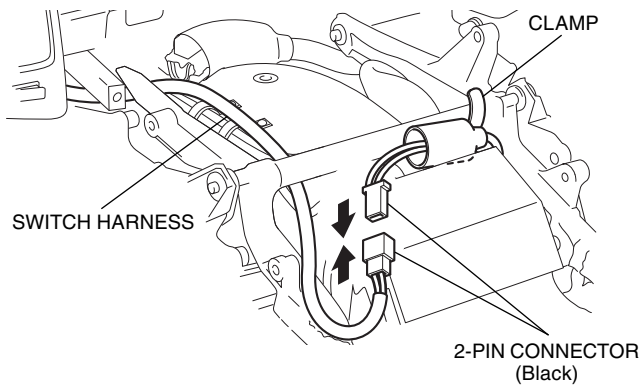
15. Pass the switch harness through the hole you made on the right inner pocket. Assemble the right inner pocket and right pocket cover in the reverse order of removal.



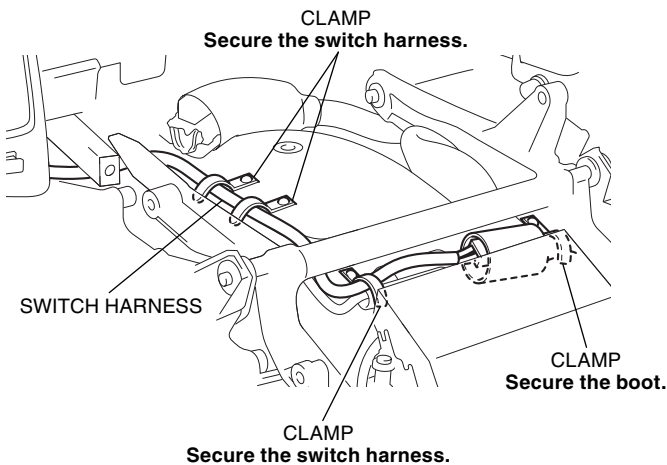
16. Install the right pocket assembly in reverse order of the removal and route the switch harness as shown.



17. Connect the switch harness as shown.



18. Store the connected connectors in the boot as shown and secure the switch harness.



19. Test the operation of the push-to-talk switch.
 20. Install the motorcycle's parts in the reverse order of removal.

OPERATION

- Press the TALK switch to start transmission. The audio functions are muted during transmission so as to not interfere with communication with the other party.
- When both of the TALK switches are pressed, the voice of both the rider and passenger are transmitted.

< TEMPLATE >

Cut off along the dotted line.

