



INSTALLATION INSTRUCTIONS

Accessory

REAR SPOILER WITH BRAKE LIGHT
P/N: Multiple, see catalog

Application

GL1800

Publication No.

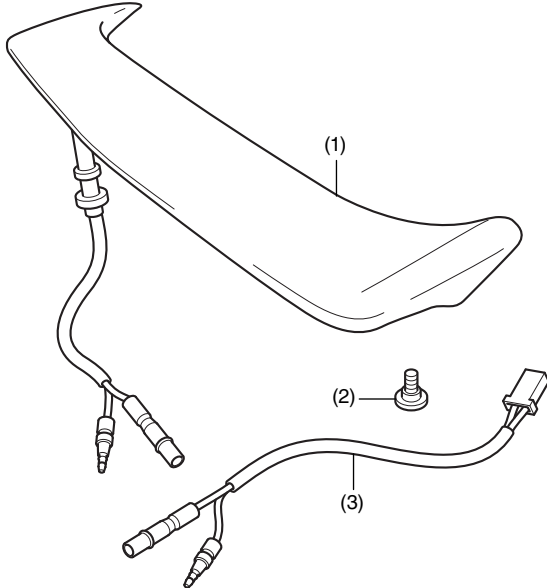
MII 11185-13809

Issue Date

Revised August 2011

Honda Dealer: Please give a copy of these instructions to your customer.

PARTS LIST



No.	Description	Qty
(1)	Rear spoiler	1
(2)	6 mm socket bolt	4
(3)	Sub harness	1

TOOLS AND SUPPLIES REQUIRED

Hex wrench (5 mm)
 Electric drill
 Drill bits,
 3 mm (#32), 6 mm (15/64 in), and 11 mm (7/16 in)
 Awl
 Torque wrench

TORQUE CHART

Tighten all screws, bolts and nuts to their specified torques. Refer to the Service Manual for the tightening torques of removed parts.

Item	N·m	kgf·m	lbf·ft
6 mm socket bolt	10	1.0	7

USE AND CARE INFORMATION

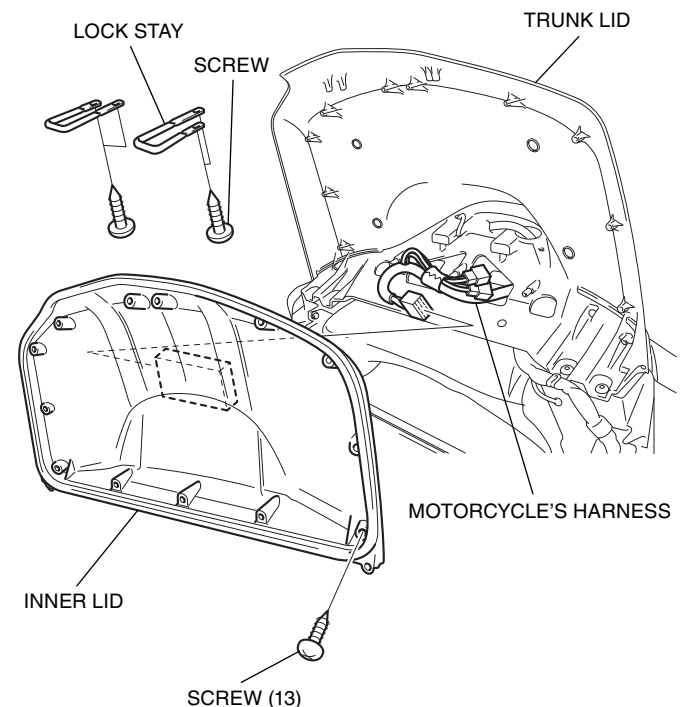
- Do not open and close the trunk lid by holding this accessory.

INSTALLATION

NOTE:

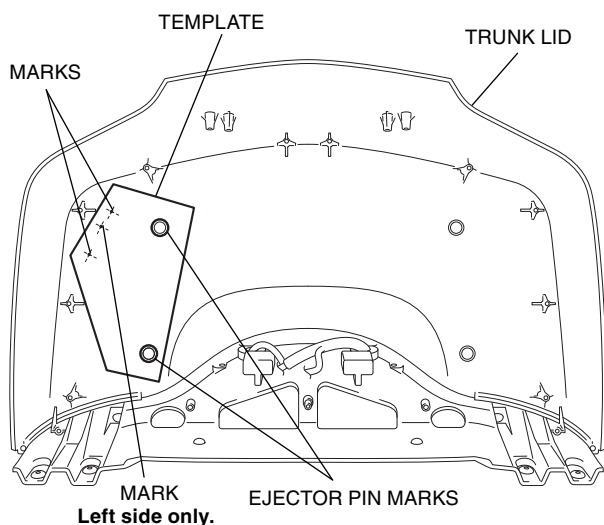
- Disconnect the negative cable from the battery before installing this accessory.
- After turning the ignition switch OFF, wait more than 10 seconds and then remove the negative cable of the battery.
- The memories of the tripmeter, clock, radio and suspension system will be erased when you disconnect the battery. Reset the memories after reconnecting the battery.

- Disconnect the negative (-) cable from the battery.
- Remove the inner lid from the rear trunk lid.



- Position the template on the trunk lid by using the two ejector pin marks as the guide. Mark the trunk lid for drilling by using an awl to punch through the marks on the template (the center mark is for the left side only).

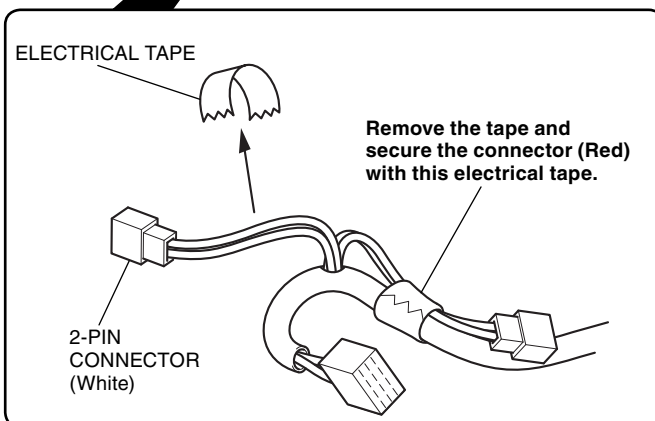
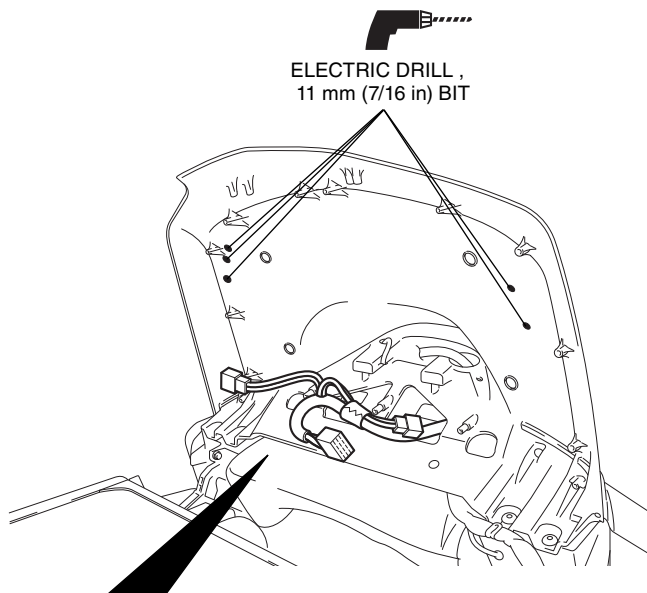
- Reverse the template for the right side.



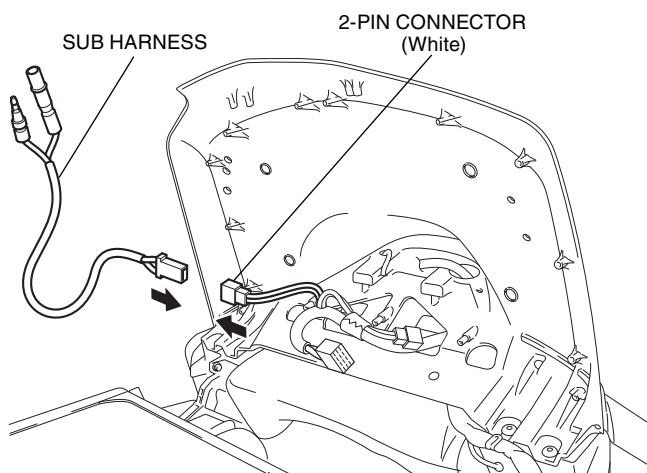
- Repeat on the right side.

- Drill a hole through each mark using an electric drill starting with a 3 mm (#32), 6 mm (15/64 in) and finishing with a 11 mm (7/16 in) drill bit.

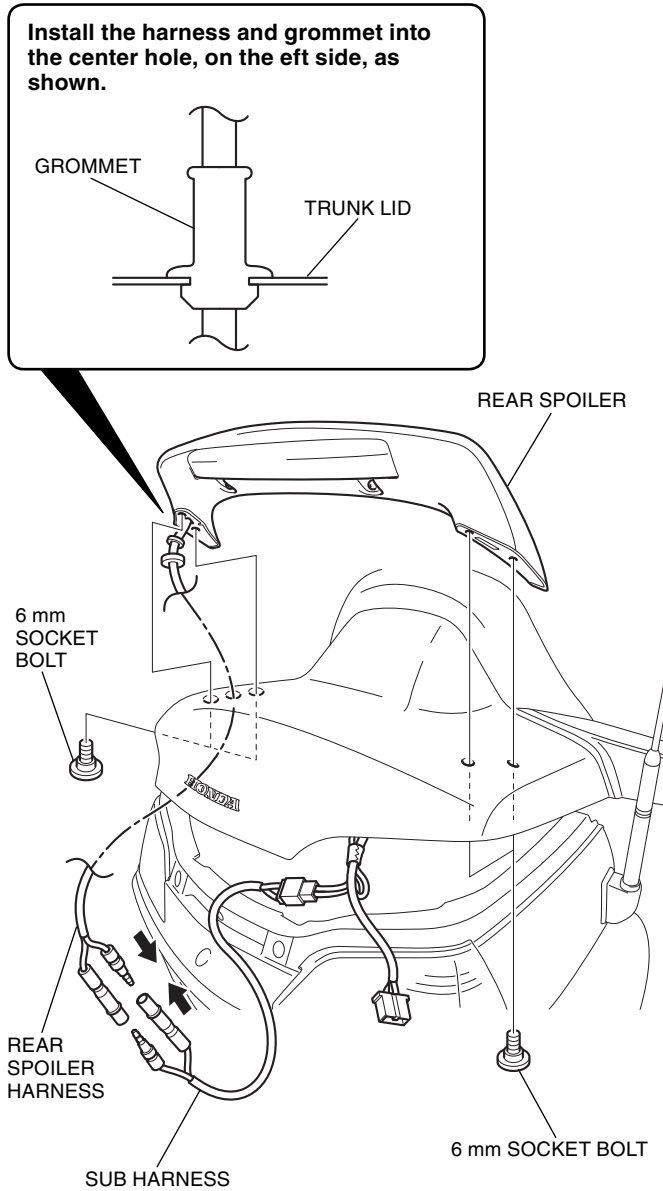
- Remove any burrs from the edge of the hole.



- Connect the sub harnesses as shown.



- Fit the rear spoiler into place on the rear trunk as shown.



- Reinstall the inner lid on the trunk lid in the reverse order of removal.
- Connect the negative (-) cable to the battery.
- Check the operation of the brake light. Also check to be certain that all lights and other electrical accessories work properly.

NOTICE

If you print this template from your local computer, make sure the printer settings do not "scale" or "shrink" pages.

<TEMPLATE>

Cut the template out and use it to mark the drilling locations.

