



Service Bulletin

American Honda Motor Co., Inc.

2002 GL1800 Reverse Cable Inspection/Adjustment

The reverse cable lock nuts may not have been properly tightened on some GL1800 units. We have developed a procedure to inspect and adjust any affected units. Please follow the INSPECTION/ADJUSTMENT procedures included in this Service Bulletin.

AFFECTED UNITS

2002 GL1800 units with VIN range:

1HFSC470*2A102303 through 1HFSC470*2A102622

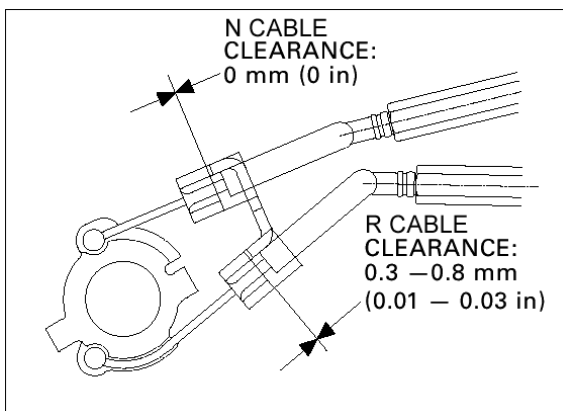
* indicates check digit

Any unit in the above VIN range **may** be affected and should be inspected according to the procedures in this Service Bulletin.

All units outside of the above VIN range do not require inspection.

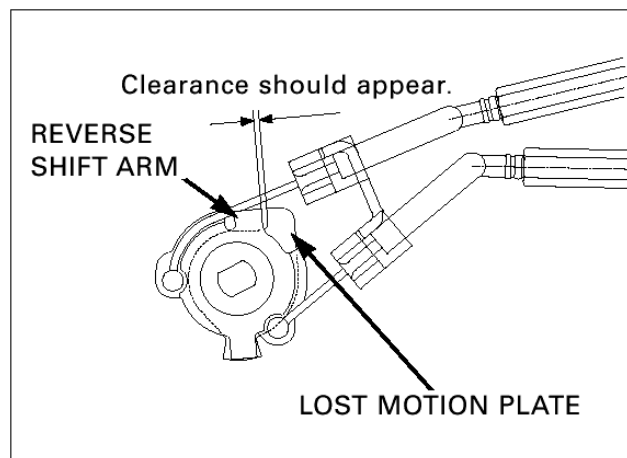
INSPECTION/ADJUSTMENT PROCEDURE

1. Remove the right engine side cover (see S/M Page 2-4).
2. Check the cable clearance on the N (neutral) and R (reverse) cables.



Note: It is not necessary to remove the center inner fairing or inspect the reverse shift actuator.

3. If adjustment is necessary, loosen the lock nuts and turn the adjusting nuts in the required direction (see S/M Page 18-35).
4. With the transmission in neutral, turn the ignition switch to the "ON" position and push the reverse shift switch to "ON".
5. Ensure there is clearance between the reverse shift arm and lost motion plate.



6. Push the reverse shift switch to "OFF" and turn off the ignition.
7. Tighten the reverse cable lock nuts.
8. Reinstall the right engine side cover.

PARTS INFORMATION

No parts are required for this procedure.

WARRANTY INFORMATION

Normal warranty.
After completion of the inspection/adjustment, submit one claim per VIN using the following information only:

Template #: **GL#5**
Flat Rate Time = **0.3 hours**