



# INSTALLATION INSTRUCTIONS

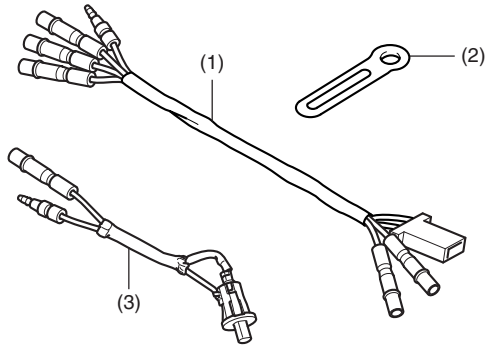
Accessory  
**TRUNK INNER LAMP HARNESS**  
 P/N 08E75-MCA-100K

Application  
**GL1800**

Publications No.  
**MII 13038**  
 Issue Date  
**November 2009**

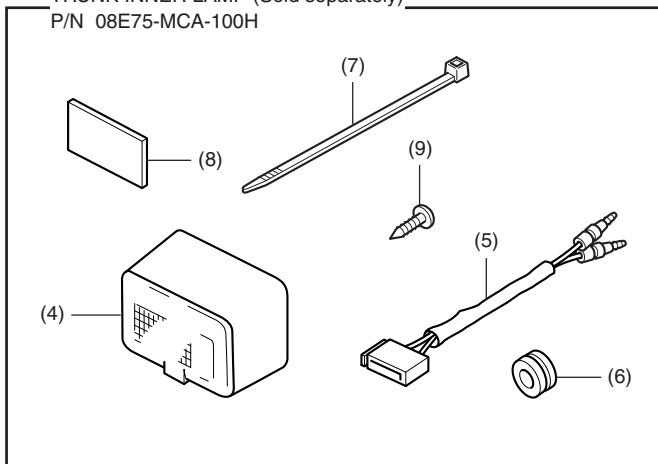
**Honda Dealer: Please give a copy of these instructions to your customer.**

## PARTS LIST



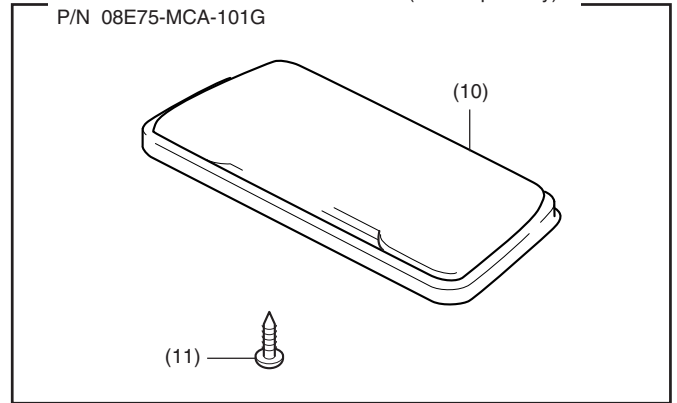
No.	Description	Qty
(1)	Main harness	1
(2)	Clip2 (To be used on up to '05 model.)	
(3)	Trunk lamp switch	1

TRUNK INNER LAMP (Sold separately)  
 P/N 08E75-MCA-100H



No.	Description	Qty
(4)	Trunk inner lamp	1
(5)	Trunk inner lamp harness	1
(6)	Grommet	1
(7)	Wire tie	4
(8)	Seal	4
(9)	4 mm Screw	2

TRUNK VANITY MIRROR WITH LAMP (Sold separately)  
 P/N 08E75-MCA-101G



No.	Description	Qty
(10)	Trunk vanity mirror	1
(11)	5 mm Screw	2

## TOOLS AND SUPPLIES REQUIRED

Phillips ® screwdriver      Flat-tip screwdriver  
 Nippers      Electric drill motor  
 Drill bit (4.5 and 13 mm)      Electrical tape  
 Scissors      Isopropyl alcohol  
 Shop towel      Torque wrench

## TORQUE CHART

Tighten all screws, bolts, and nuts to their specified torque values. Refer to the Service Manual for the torque values of the removed parts.

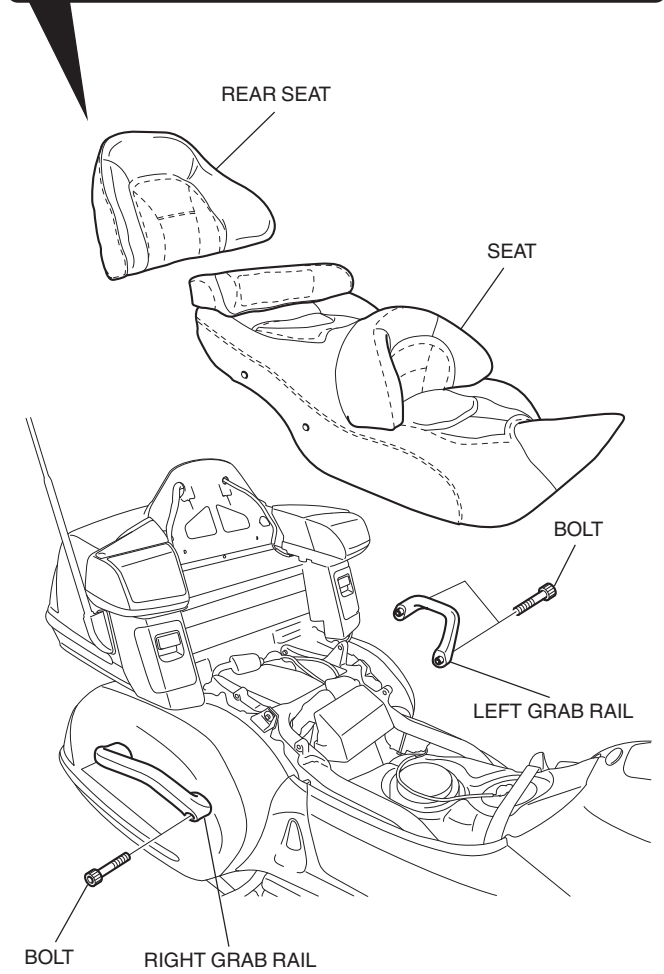
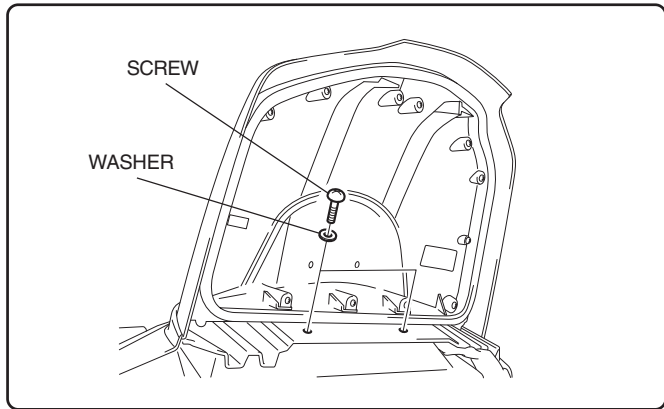
Item	N-m	kgf-m	lbf-ft
4 mm screw	1	0.1	0.7
5 mm screw	4	0.4	2.9

## INSTALLATION (ALL)

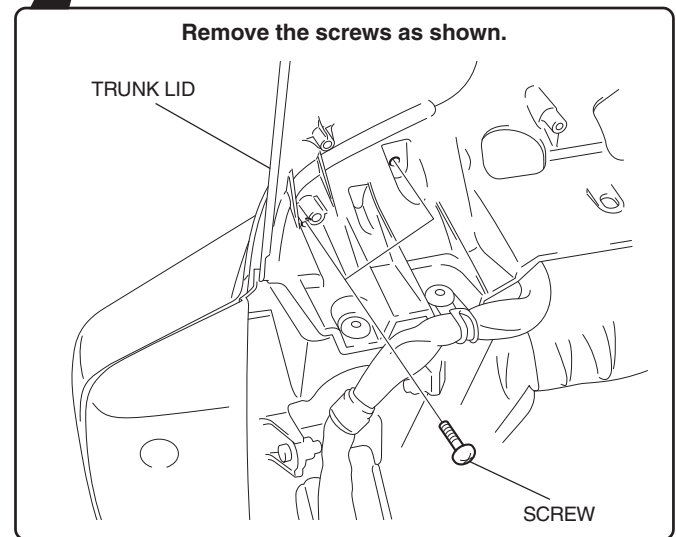
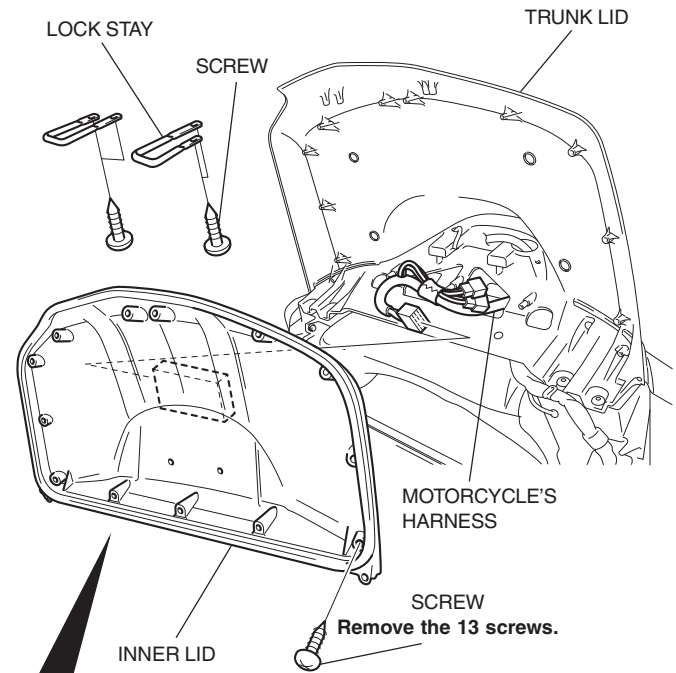
### NOTE:

- This accessory is designed to be used exclusively with the Trunk Inner Lamp or Trunk Vanity Mirror for the Honda GL1800. Have the recommended accessories on hand before installing this accessory.
- Trim the excess ends off the wire ties after attaching them to the wire harnesses.

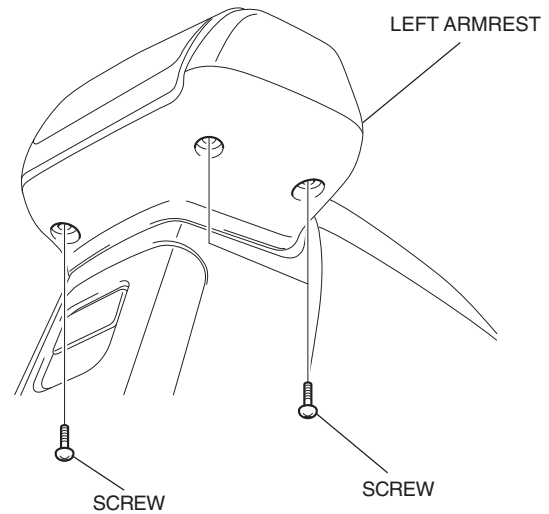
1. Refer to the Service Manual for the motorcycle, remove the motorcycle parts, and disconnect the negative (-) terminal of the battery.
  - For the type with heated seat: Disconnect the connector.



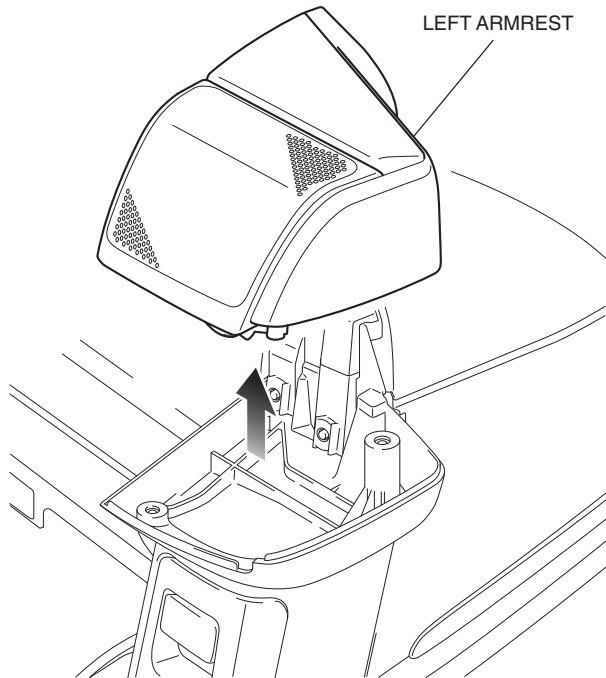
2. Remove the inner lid as shown.



3. Remove the screws as shown.

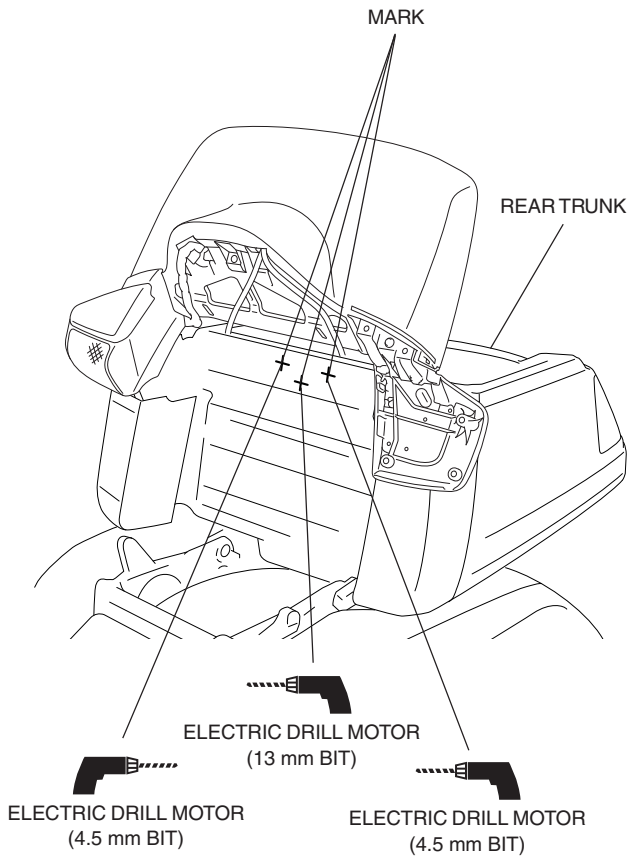


4. Remove the left armrest as shown.

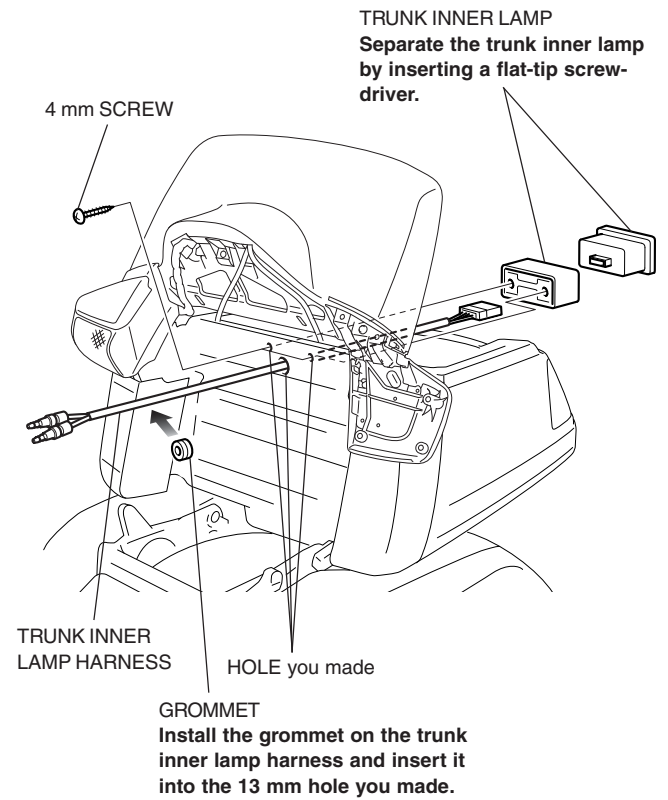


### TRUNK INNER LAMP INSTALLATION ONLY

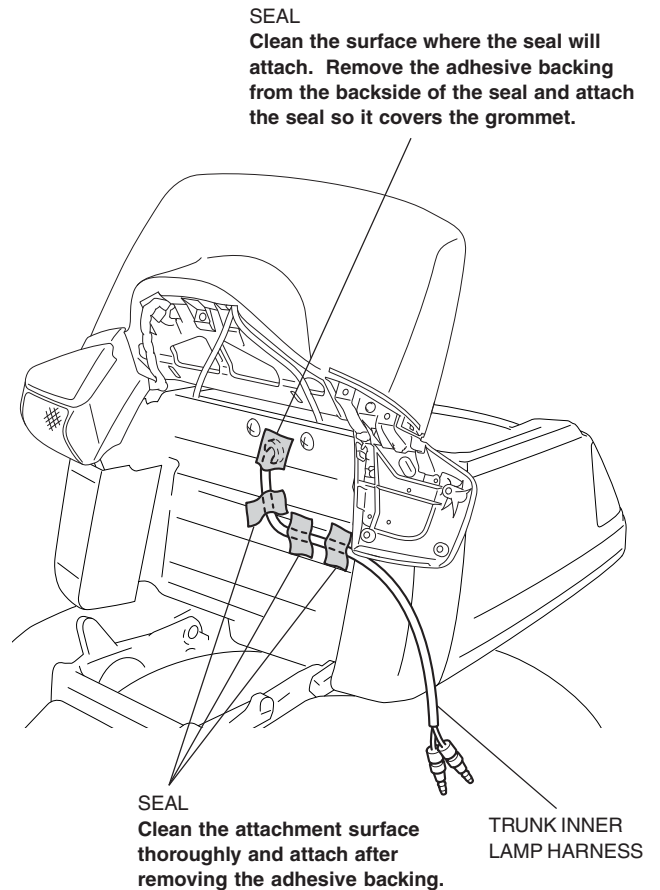
5. Drill the rear trunk at the marked points as shown.  
 • Remove any burrs from the edge of the hole.



6. Install the trunk inner lamp as shown.

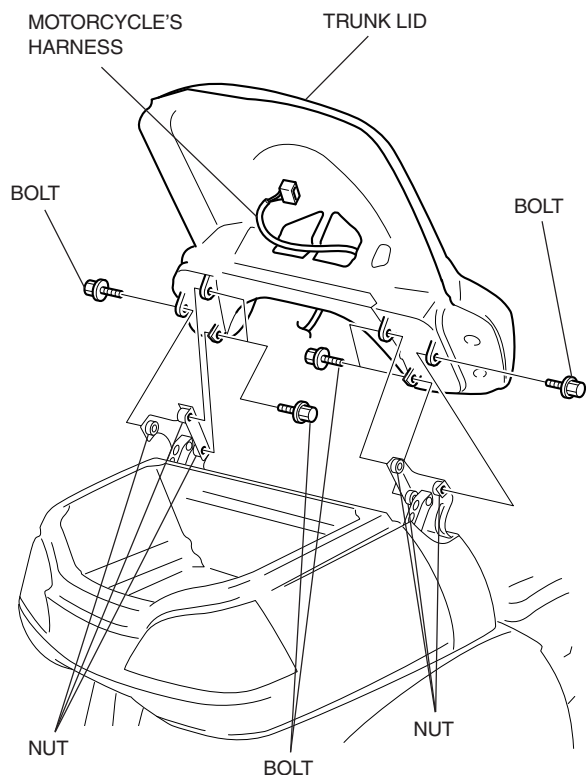


7. Secure the trunk inner lamp harness with the seal as shown.



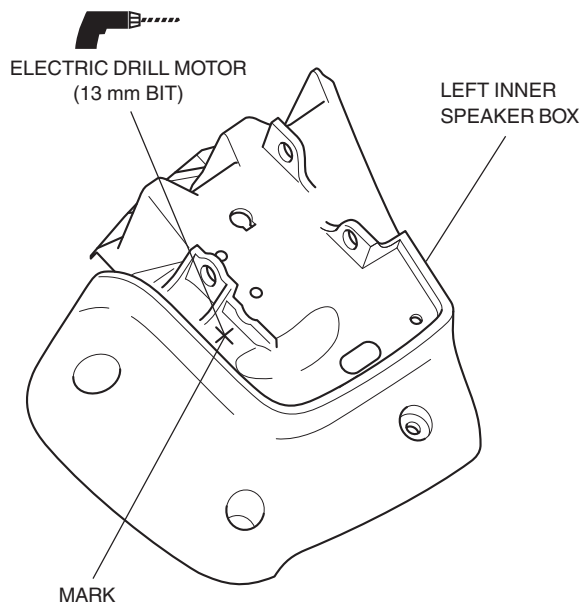
8. Remove the trunk lid as described in the Service Manual.

- **This step applies only up to the '05 model.**



9. Drill the left inner speaker box at the marked point as shown.

- **This step applies only up to the '05 model.**
- **Remove any burrs from the edge of the hole.**

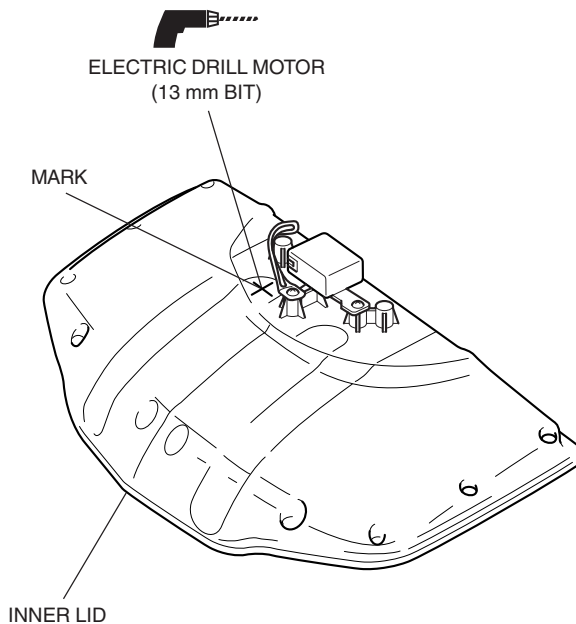


10. Install the trunk lid in the reverse order of removal.

## TRUNK VANITY MIRROR WITH LAMP INSTALLATION ONLY

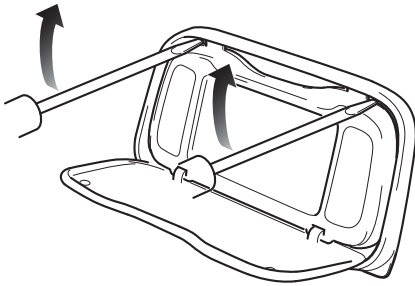
11. Drill the inner lid at the marked point as shown.

- **Remove any burrs from the edge of the hole.**

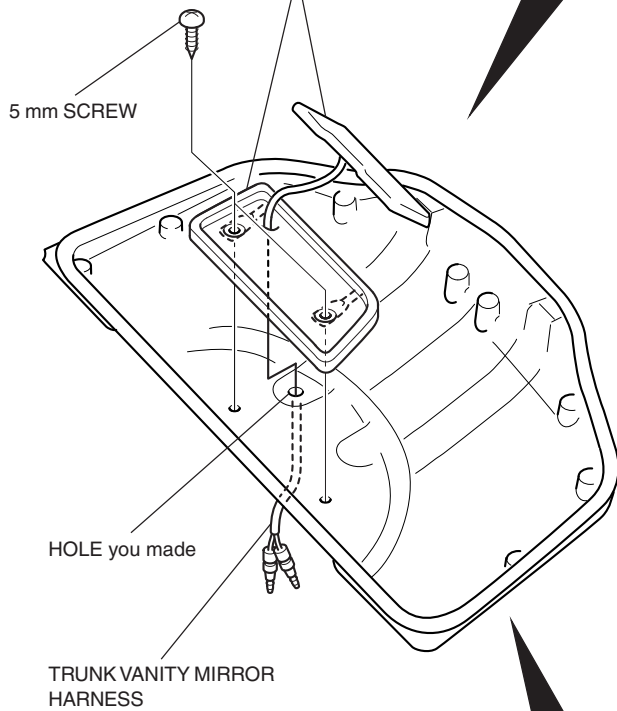


12. Install the trunk vanity mirror with lamp as shown.

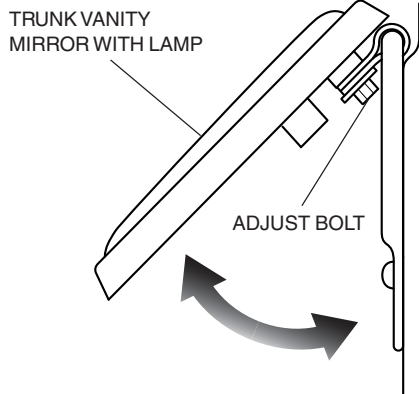
Remove the mirror from the case using a flat-tip screwdriver or equivalent tool.



TRUNK VANITY MIRROR

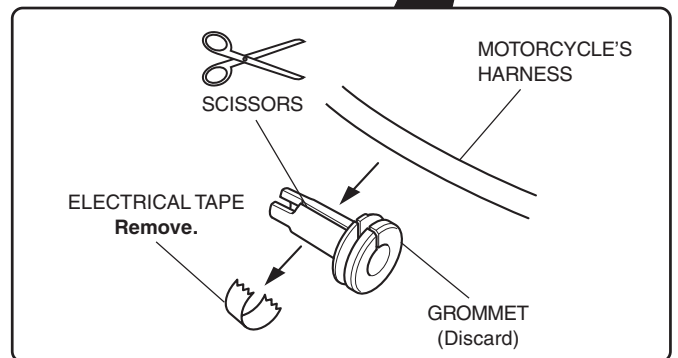
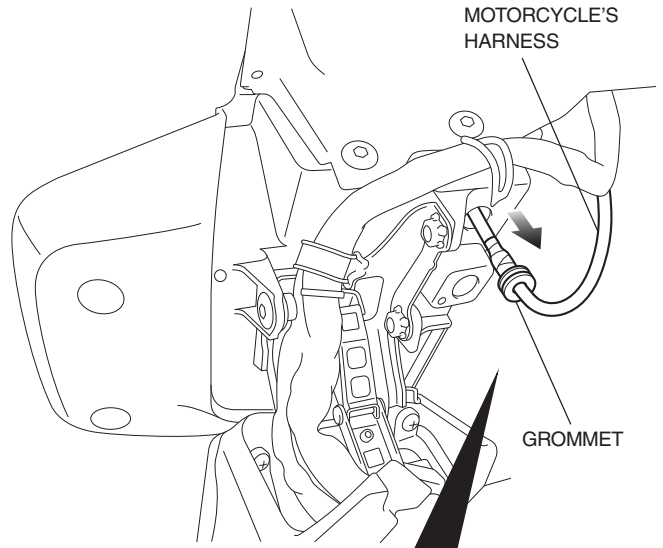


Adjust the trunk vanity mirror movement by turning the adjust bolt right or left.



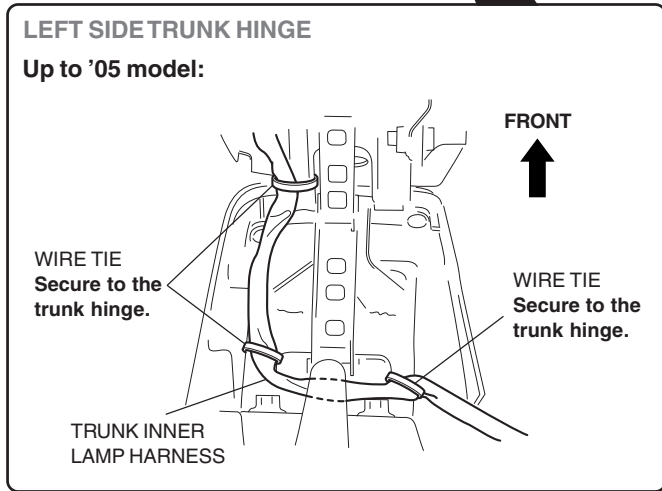
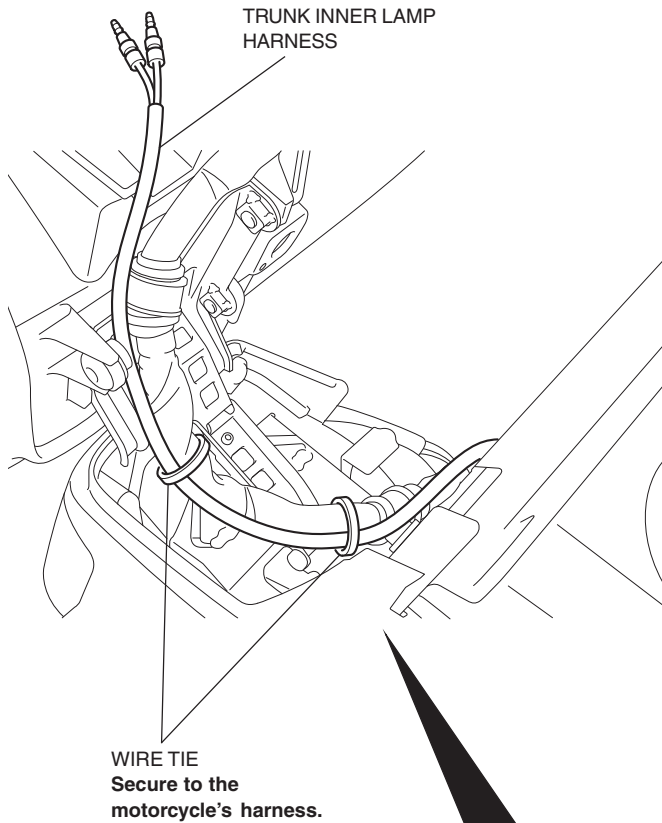
13. Remove the grommet as shown.

• This step applies only to after '05 model.



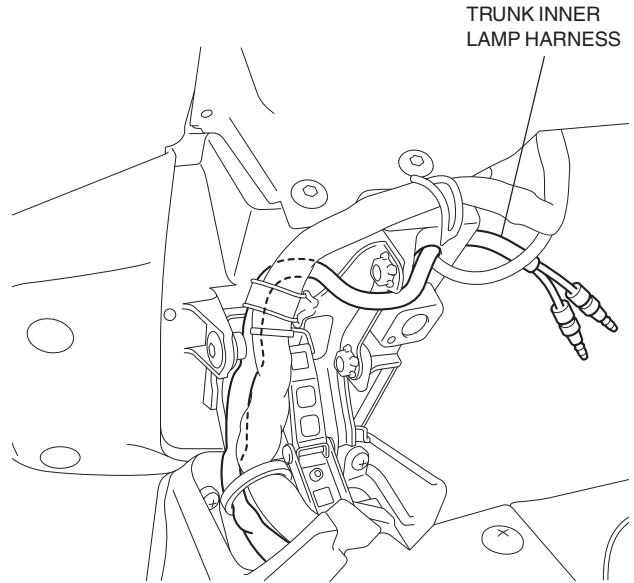
14. Route the trunk inner lamp harness and secure it as shown using a wire tie.

After '05 model:

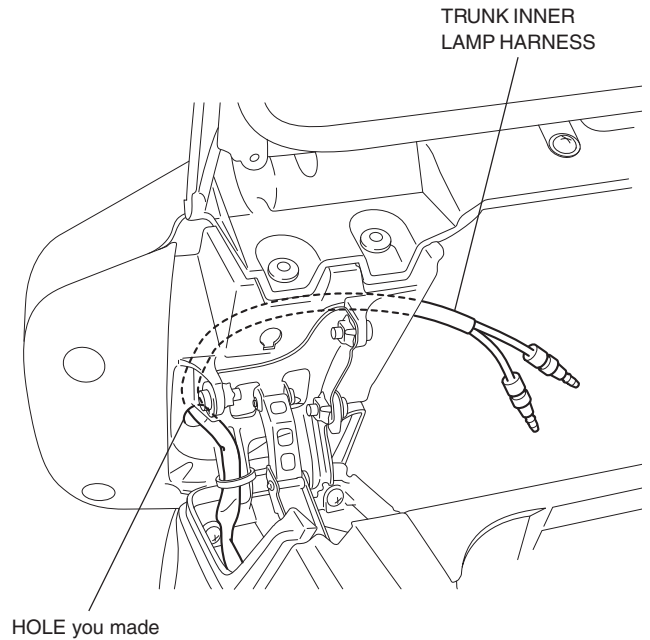


15. Route the trunk inner lamp harness as shown.

After '05 model:

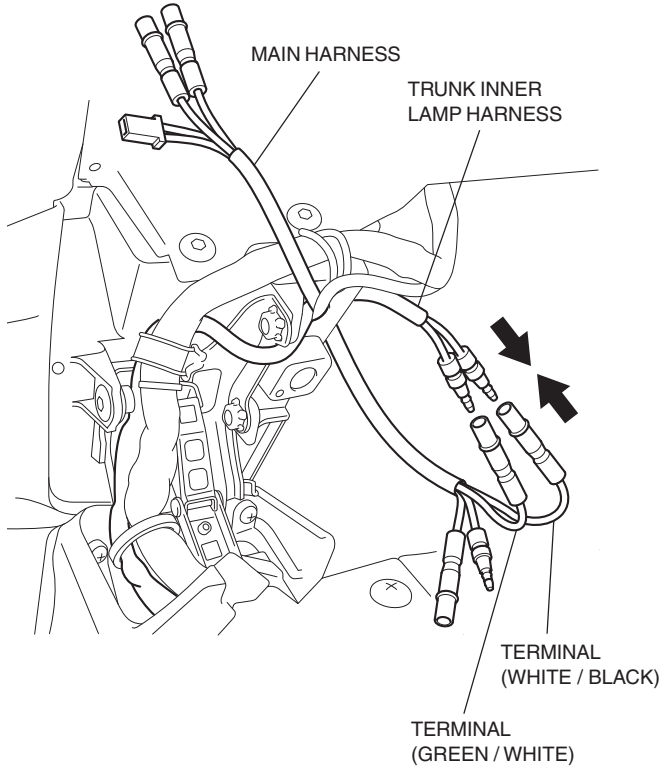


Up to '05 model:

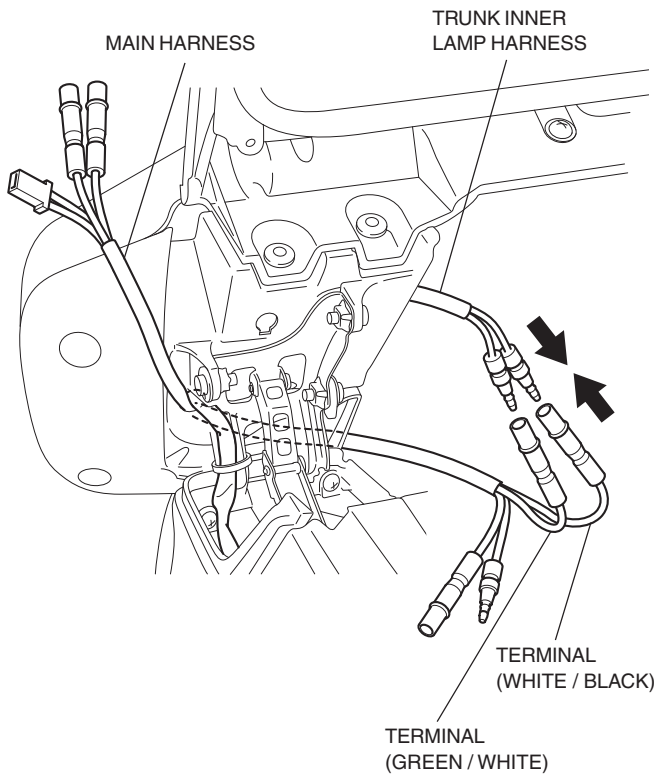


16. Route the main harness as shown and connect it to the trunk inner lamp harness.

After '05 model:

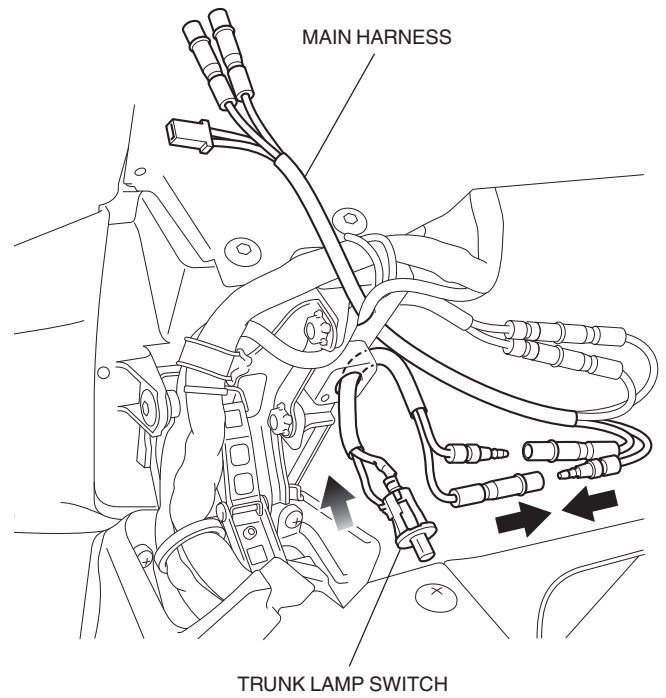


Up to '05 model:

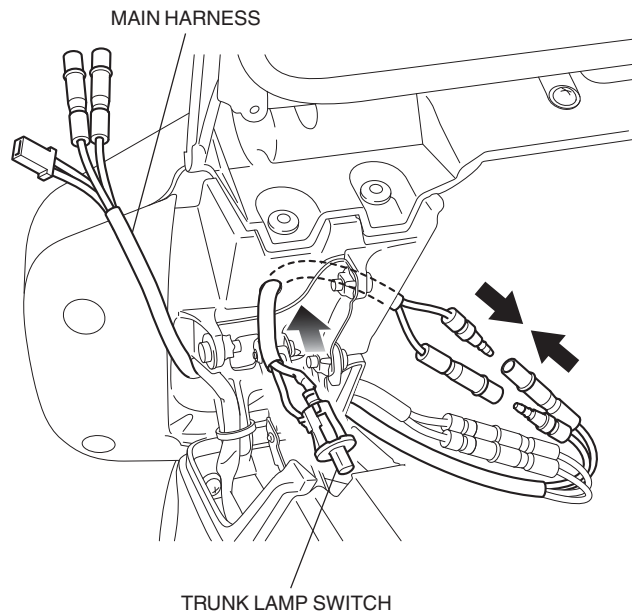


17. Route the trunk lamp switch as shown and connect it to the main harness.

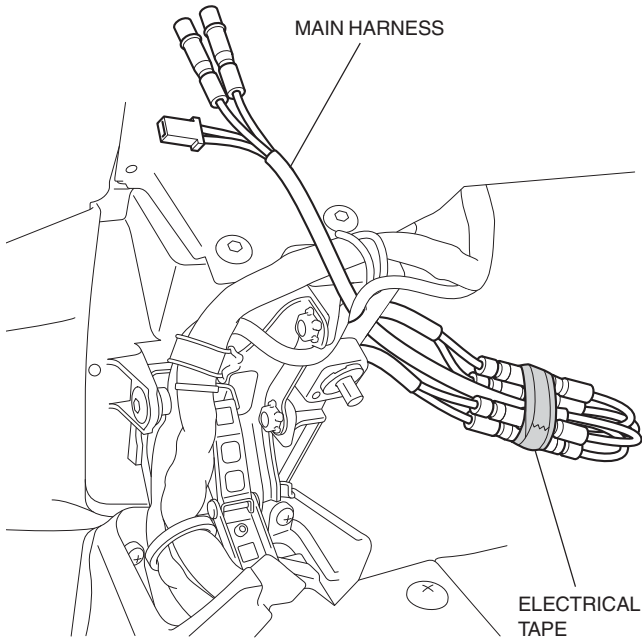
After '05 model:



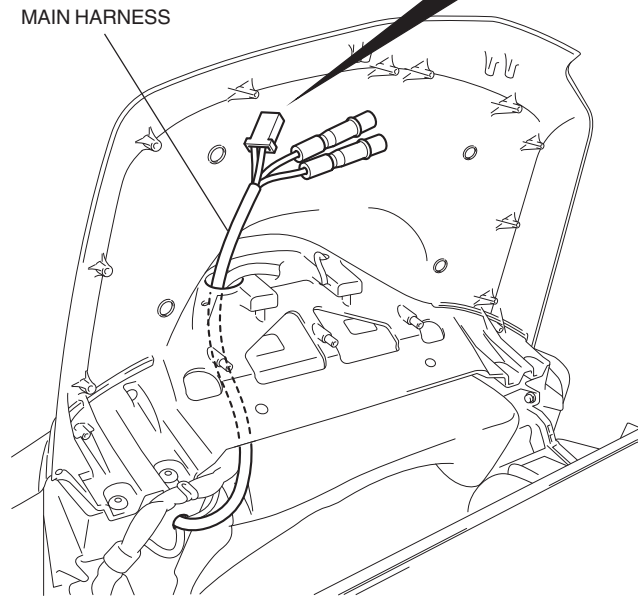
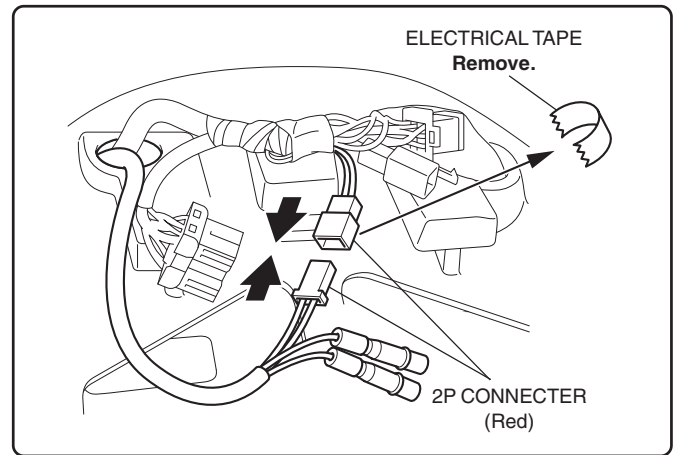
Up to '05 model:



18. Secure the terminal to the main harness as shown.
- The illustrations shown below represents after '05 models. The procedure for other model years is similar.

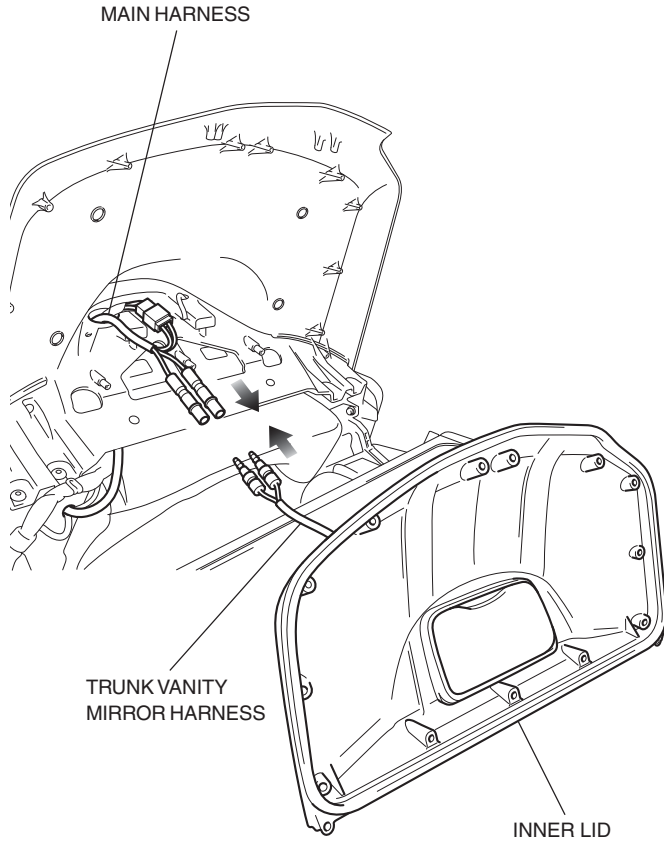


19. Route the main harness as shown and connect it to the motorcycle's harness.



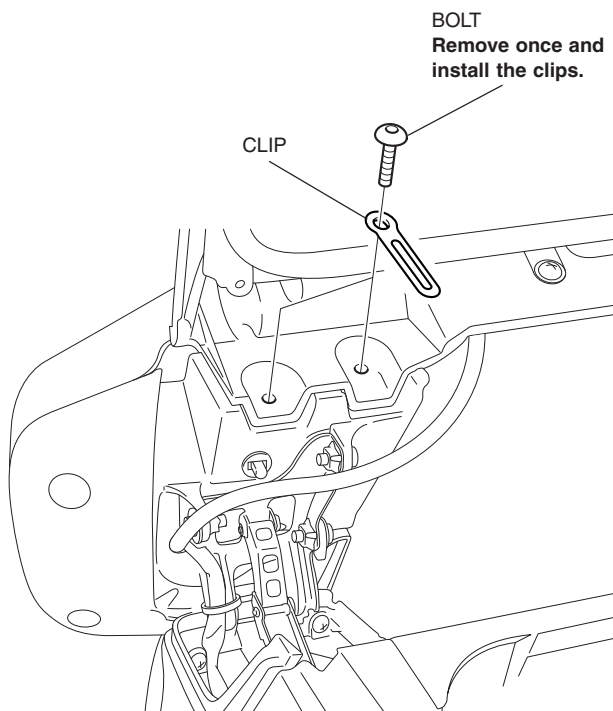


20. Connect the trunk vanity mirror harness as shown.



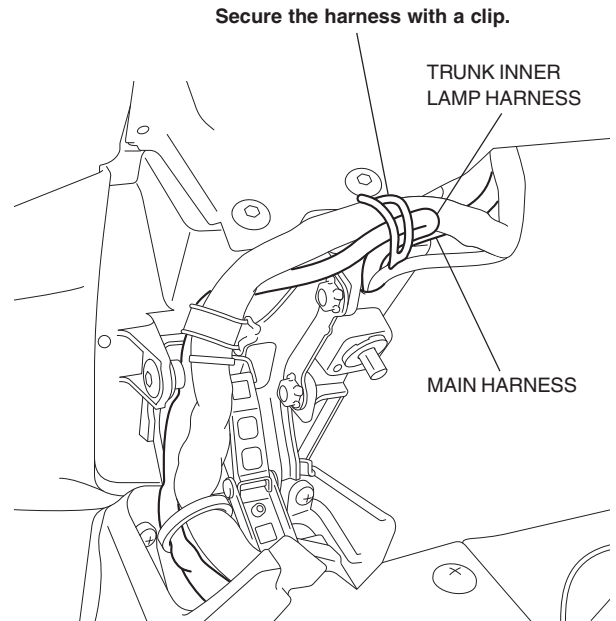
21. Install the clips as shown.

- This step applies only up to the '05 model.

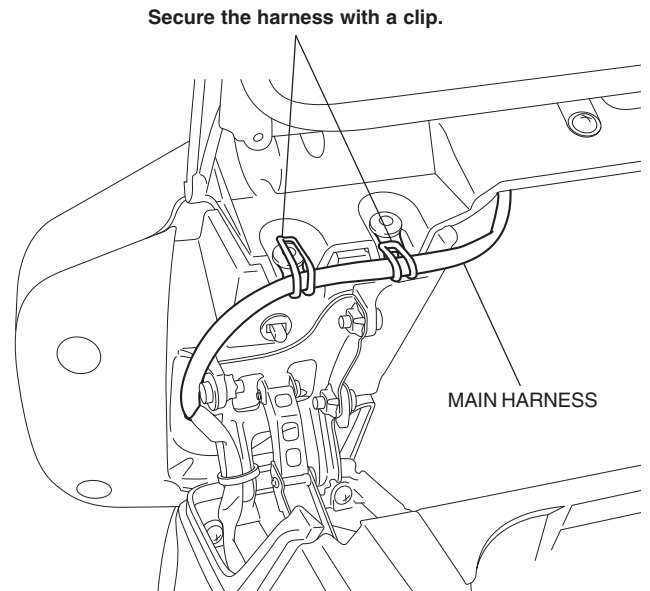


22. Secure the main harness and trunk inner lamp harness as shown.

After '05 model:



Up to '05 model:



23. Connect the negative (-) cable to the battery.

24. Reinstall the motorcycle's parts in the reverse order of removal.