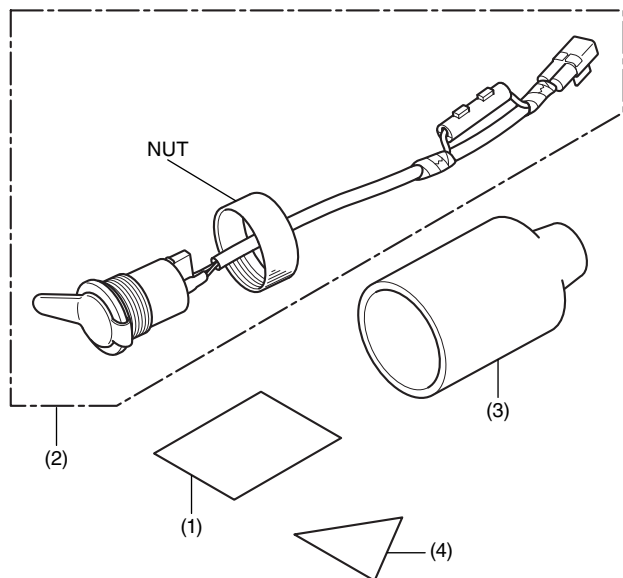


PARTS LIST



No.	Description	Qty
(1)	Installation Instruction URL	1
(2)	Accessory socket	1
(3)	Connector cover	1
(4)	Safety label	1

TOOLS AND SUPPLIES REQUIRED

Ruler
 Scissors
 Isopropyl alcohol
 Shop towel

FOR USE OF THE ACCESSORY SOCKET

- Use accessories with the engine running to avoid discharging the battery.
- Do not use a cigarette lighter, as this can cause a malfunction.
- Cover the socket with the cap when the accessory socket is not used to prevent entry of foreign objects.
- Do not use the accessory socket when the vehicle is being washed.
- Carefully secure any connected devices, as vibrations or rainwater may cause them to shift unexpectedly.

INSTALLATION

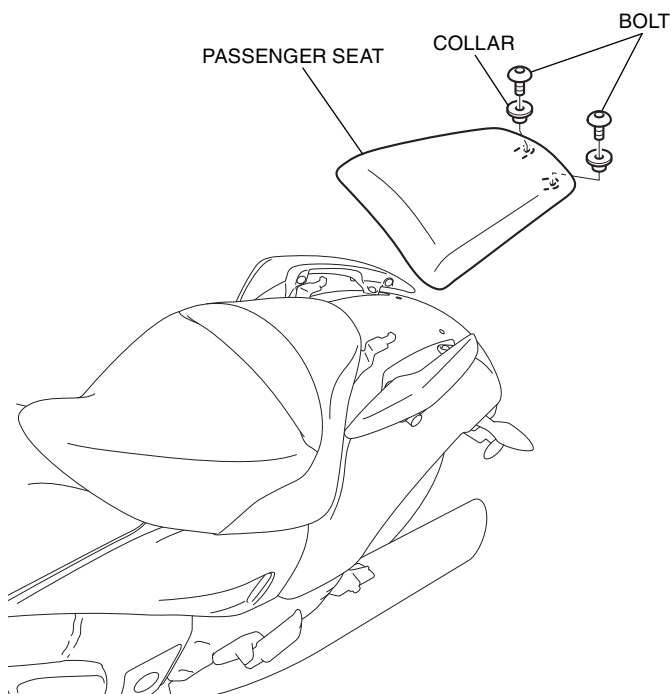
▲ CAUTION

- To prevent burns, allow the engine, exhaust system, radiator, etc., to cool before installing the accessory.

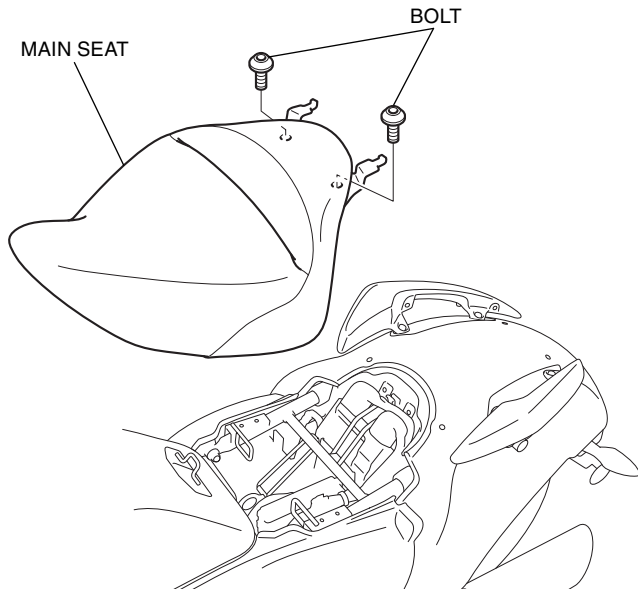
NOTE:

- Heat the bonding surfaces with a hair dryer if the ambient air temperature is below 70°F (21°C).
- The adhesive reaches full strength in 72 hours. Wait at least 24 hours before riding your motorcycle.
- Disconnect the negative (-) cable from the battery before installing this accessory.
- The memory of the clock will be erased when you disconnect the battery. Reset the clock after reconnecting the battery.

1. Remove the passenger seat as shown.

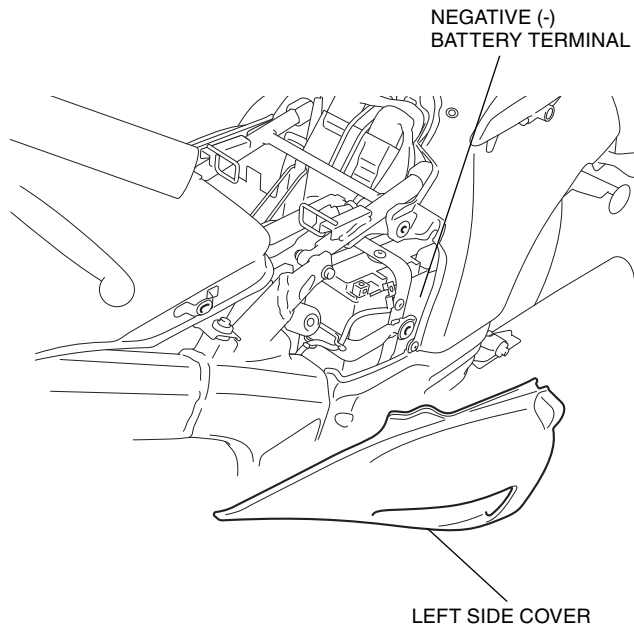


2. Remove the main seat as shown.



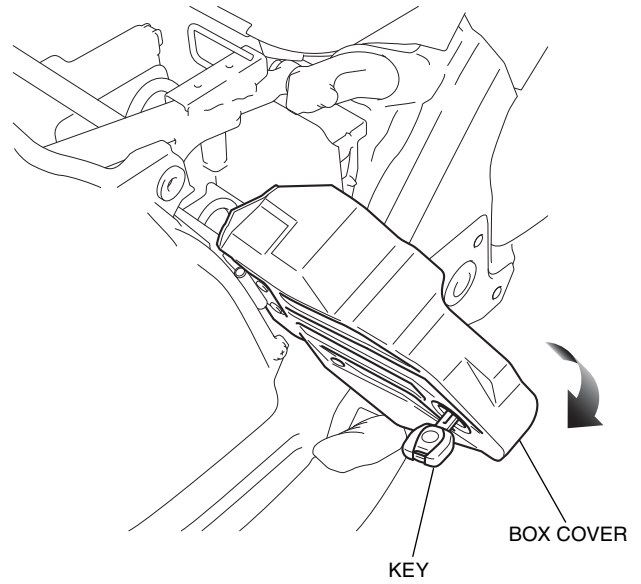
3. Remove the left side cover, and disconnect the negative (-) cable from the battery. Remove the right side cover.

<Left side>



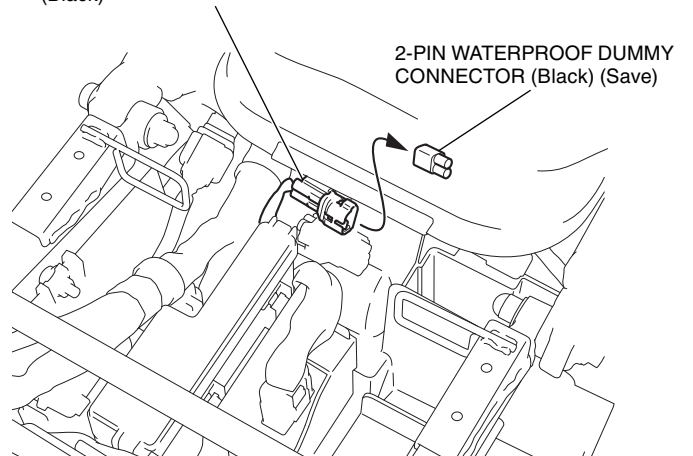
4. Open the box cover with the ignition key as shown.

<Right side>

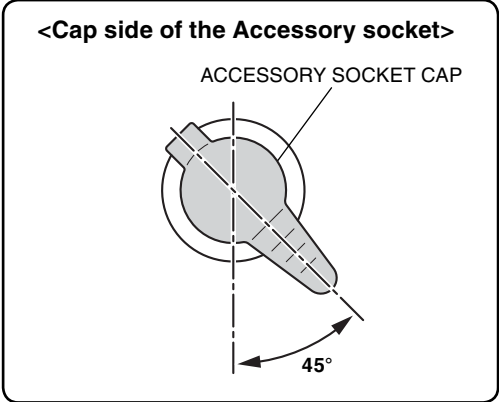
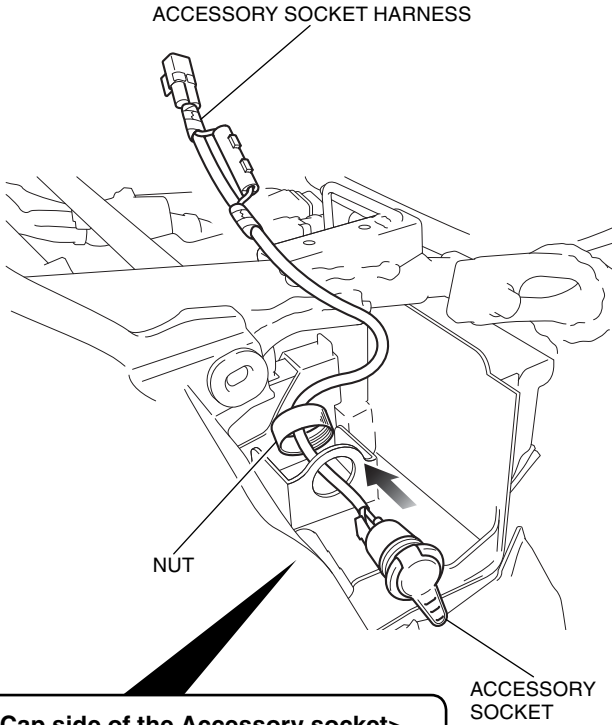


5. Remove the waterproof dummy connector as shown.

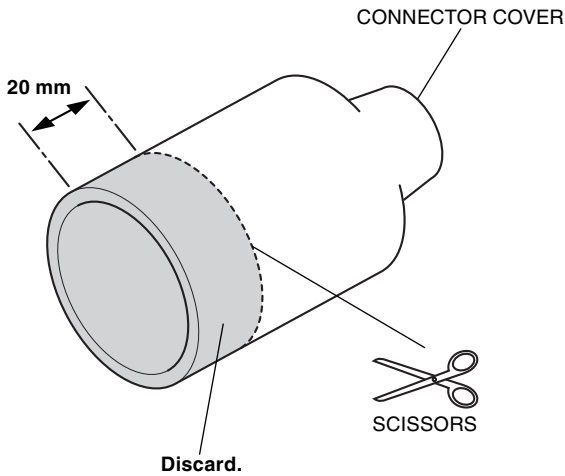
2-PIN WATERPROOF CONNECTOR (Black)



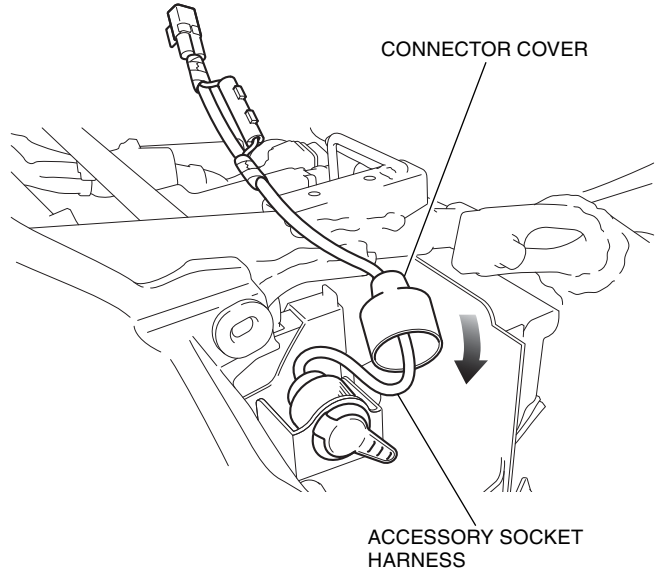
6. Route the accessory socket harness and install the accessory socket as shown.



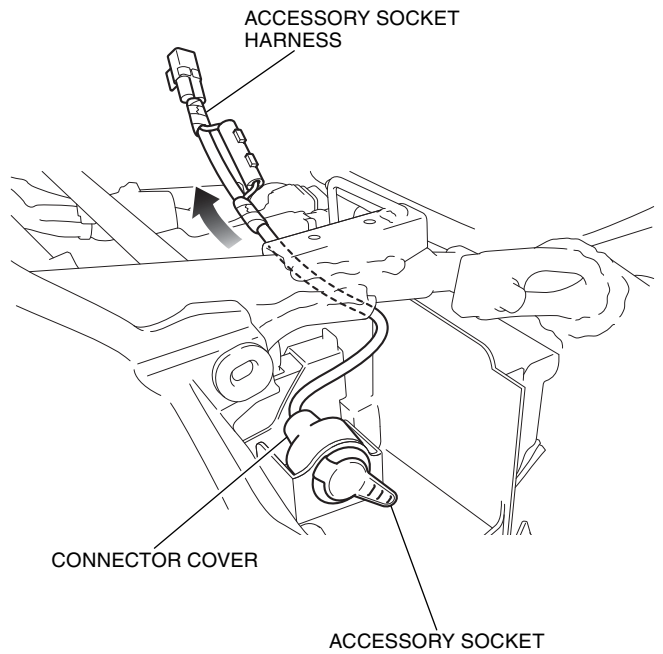
7. Modify the connector cover to the dimension shown.



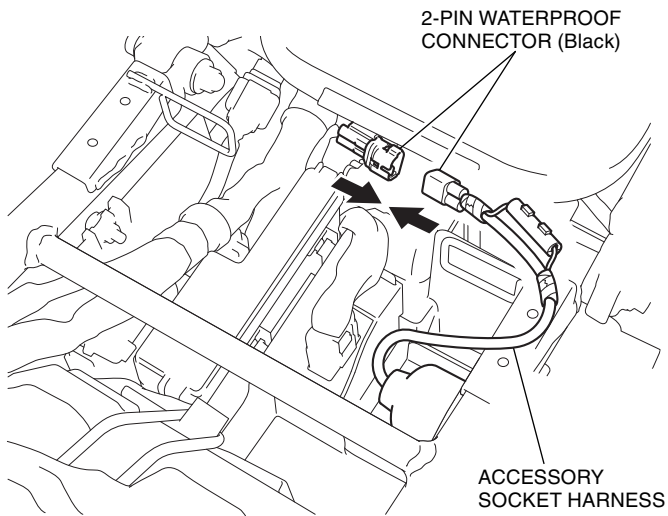
8. Pass the accessory socket harness through the modified connector cover.



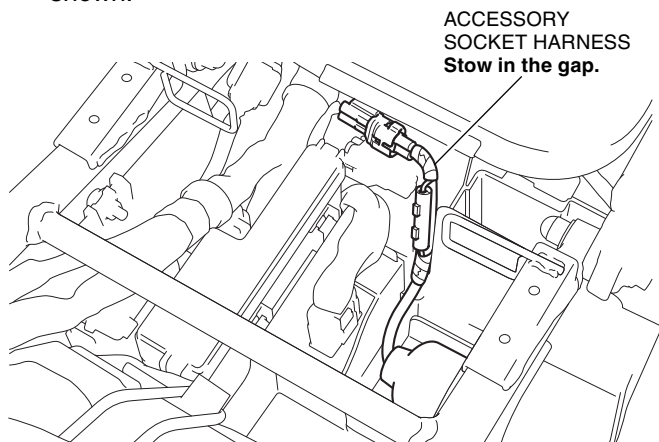
9. Route the accessory socket harness and position the connector cover on the accessory socket as shown.



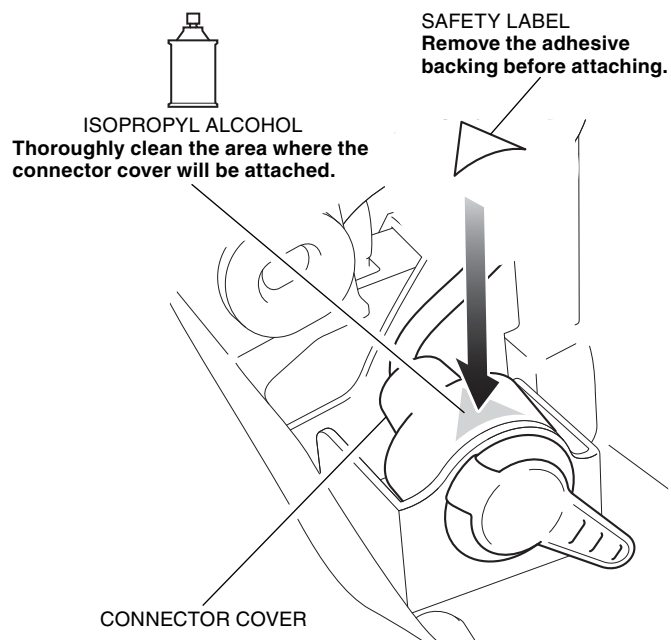
10. Connect the accessory socket harness as shown.



11. Store the connected accessory socket harness as shown.



12. Attach the safety label to the connector cover as shown.



13. Install the removed parts in reverse order of the removal.