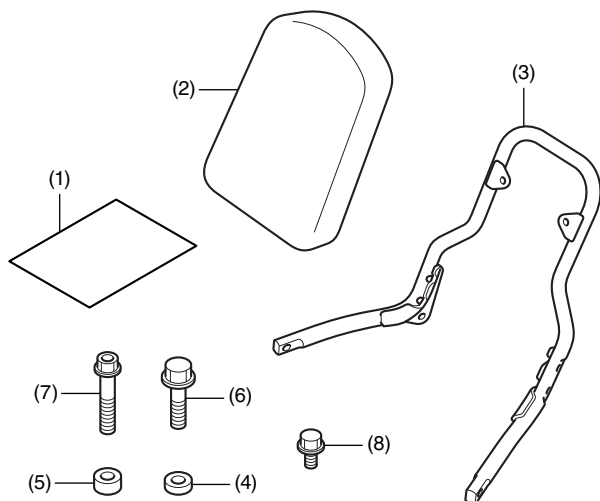


PARTS LIST



No.	Description	Qty
(1)	Installation Instruction URL	1
(2)	Backrest pad	1
(3)	Backrest bar	1
(4)	Collar (thin)	2
(5)	Collar (thick)	2
(6)	8 mm flange bolt	2
(7)	8 mm SH flange bolt	2
(8)	6 mm SH flange bolt	2

TOOLS REQUIRED

Socket (8, 10, and 12 mm)
 Ratchet
 Torque wrench

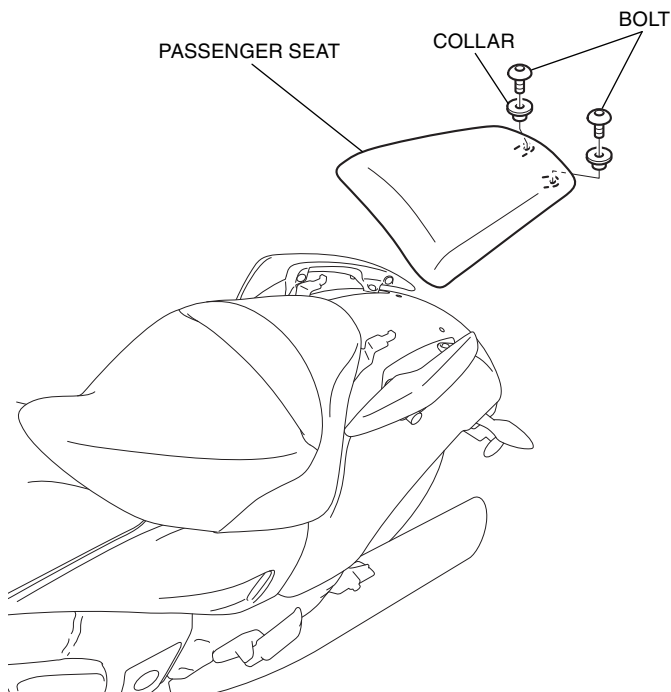
TORQUE CHART

Tighten all screws, bolts, and nuts to their specified torque values. Refer to the Service Manual for the torque values of the removed parts.

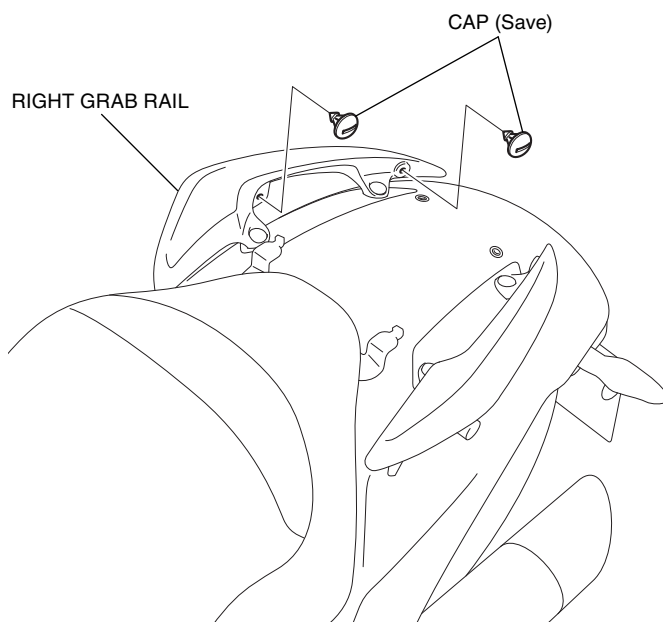
Item	N·m	kgf·m	lbf·ft
6 mm SH flange bolt	12	1.2	9
8 mm SH flange bolt	27	2.8	20
8 mm flange bolt	27	2.8	20

INSTALLATION

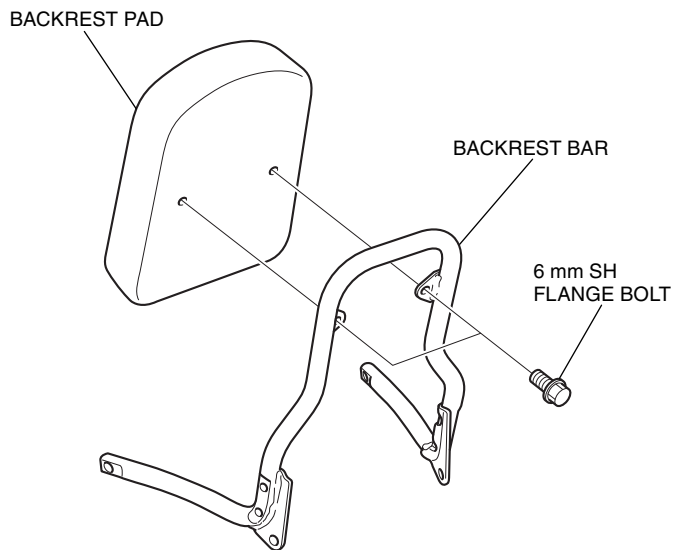
- Remove the passenger seat as shown.



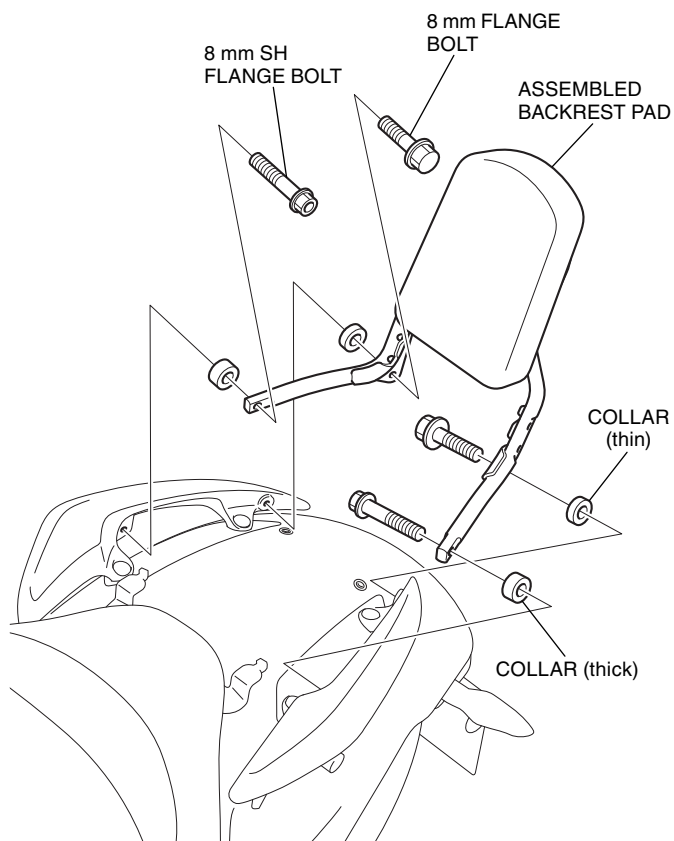
- Remove the caps from the right grab rail as shown.
 - Repeat on the left side.



3. Assemble the backrest pad and backrest bar as shown.



4. Install the assembled backrest pad as shown.
- **Protect the rear fender with a shop towel or similar.**



5. Install the passenger seat in the reverse order of removal.
- **Protect with a shop towel or similar, and take care not to tear the passenger seat.**