

HONDA

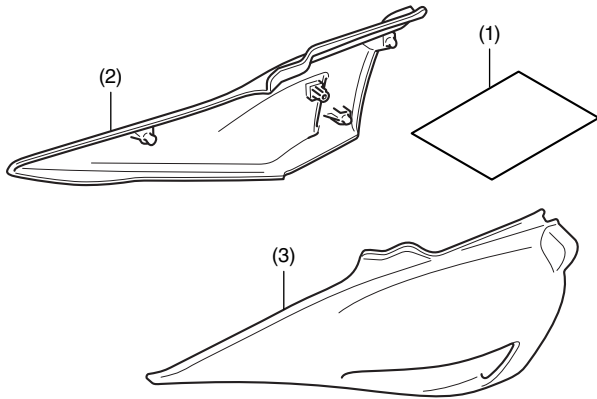
INSTALLATION INSTRUCTIONS

Accessory
CHROME SIDE COVER
 P/N 08F74-MJR-670

Application
GL1800C

Publication No.
MII 14918
 Issue Date
March 2014

PARTS LIST



No.	Description	Qty
(1)	Installation instructions URL	1
(2)	Right side cover	1
(3)	Left side cover	1

TORQUE CHART

Refer to the Service Manual for the torque values of the removed parts.

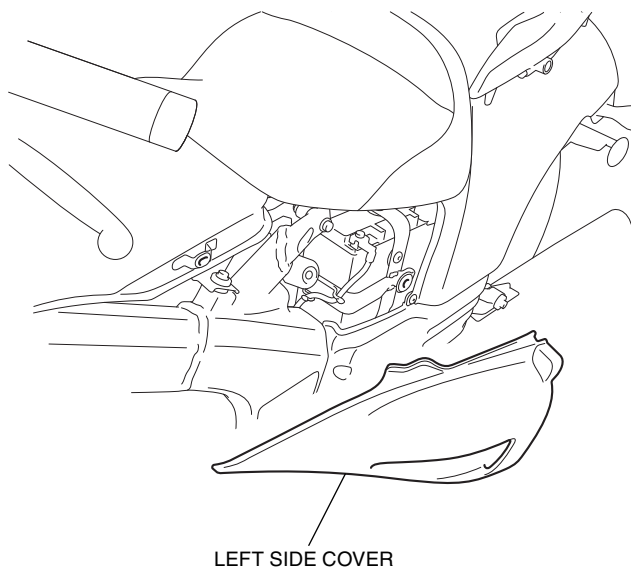
INSTALLATION

▲ CAUTION

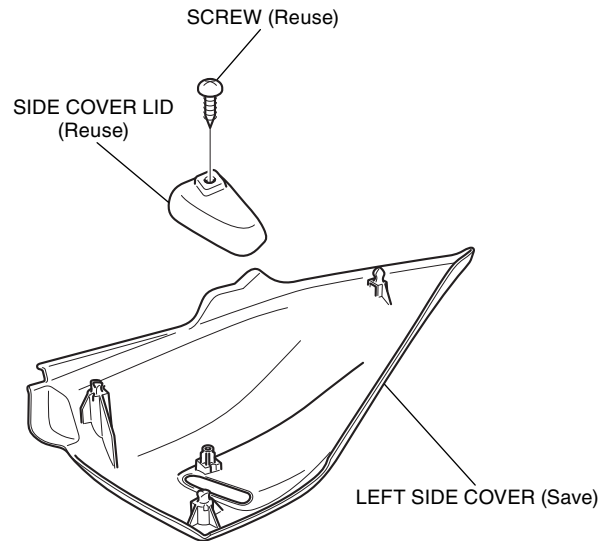
- To prevent burns, allow the engine, exhaust system, radiator, etc., to cool before installing the accessory.

1. Remove the left side cover as shown.

<Left side>



2. Remove the side cover lid from the left side cover as shown.



- Install the side cover lid to the accessory left side cover in the reverse order of removal.
- Install the accessory left side cover in the reverse order of removal.
- Repeat all steps on the right side.