



INSTALLATION INSTRUCTIONS

Accessory

CUSTOM GRIPS
P/N 08F73-MJR-670

Application

COMMON

Publication No.

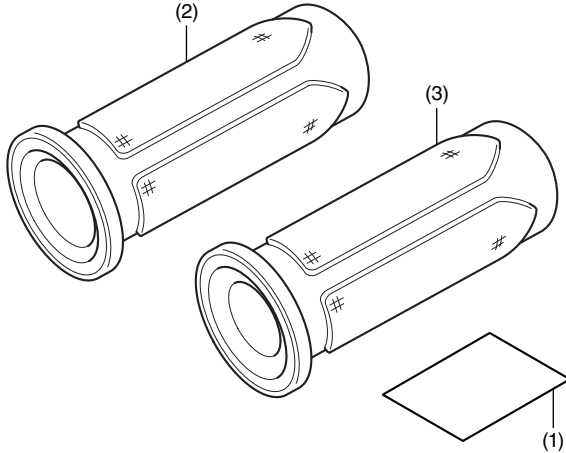
MII 15864

Issue Date

April 2016

Honda Dealer: Please give a copy of these instructions to your customer.

PARTS LIST



No.	Description	Qty
(1)	Installation Instruction URL	1
(2)	Right custom grip (large inner diameter)	1
(3)	Left custom grip (small inner diameter)	1

TOOLS AND SUPPLIES REQUIRED

Phillips screwdriver
 Pro Honda Handgrip Cement
 Grease
 Isopropyl alcohol
 Shop towel
 Torque wrench

TORQUE CHART

Refer to the Service Manual for the torque values of the removed parts.

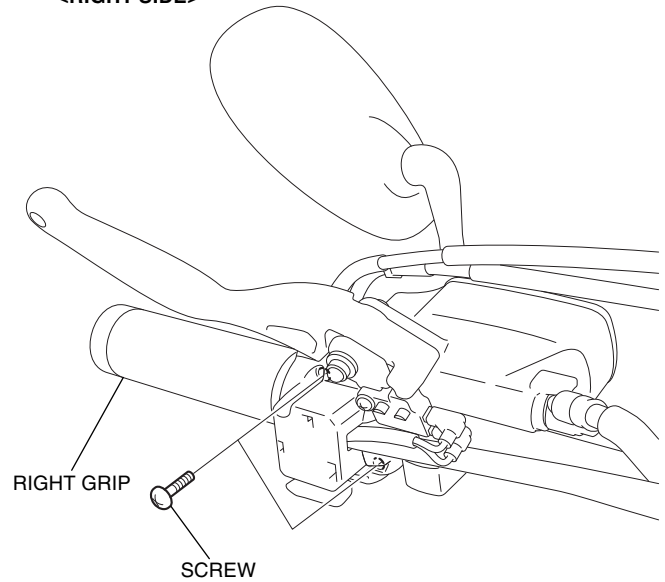
INSTALLATION

NOTE:

- Disconnect the throttle cables from the right grip as instructed in the motorcycle's Service Manual.
- For secure adhesion of the left grip to the handlebar, we urge you to use the recommended adhesive agent (Pro Honda Handgrip Cement or equivalent) and wait until it cures fully before use.
- Be sure to open and close the throttle to check for smooth operation after installation of the right grip.

1. Remove the screws as shown.

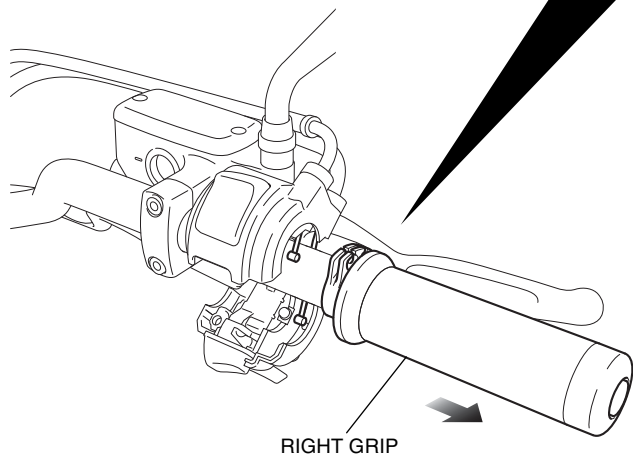
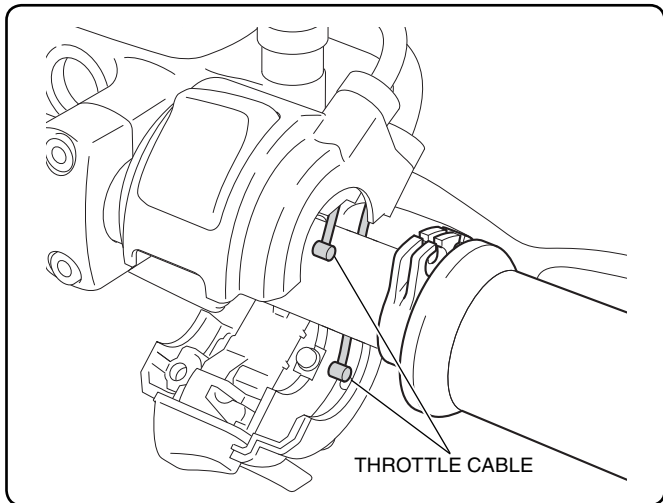
<RIGHT SIDE>



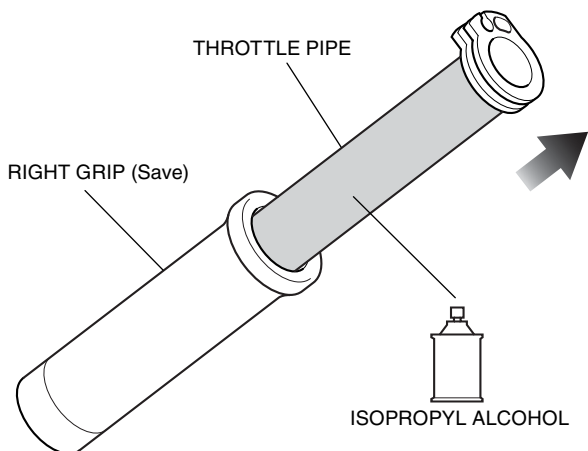
2. Remove the right grip as shown.

NOTE

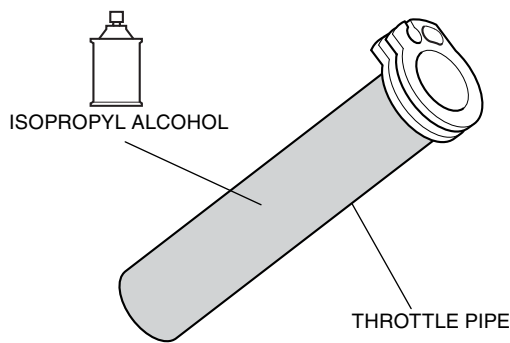
Disconnect the throttle cable from the right grip as instructed in the motorcycle's Service Manual. Do not try to disconnect the cable with force using pliers, etc. Refer to the motorcycle's Service Manual.



3. Remove the throttle pipe from right grip as shown.



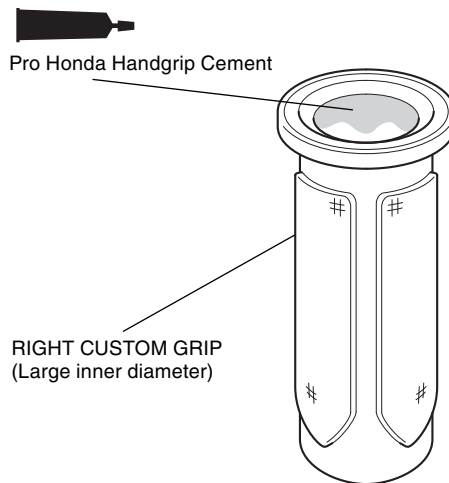
4. Use isopropyl alcohol as shown to remove any adhesive from the throttle pipe.



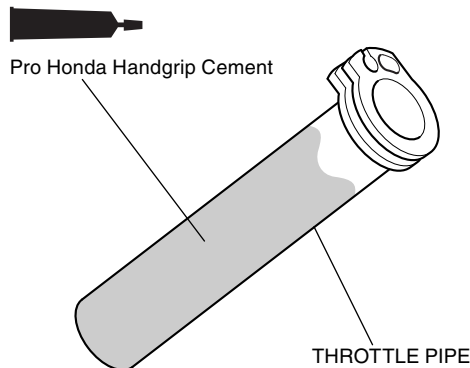
5. Apply an ample amount of Pro Honda Handgrip Cement to the inside of the right custom grip as shown.

NOTE

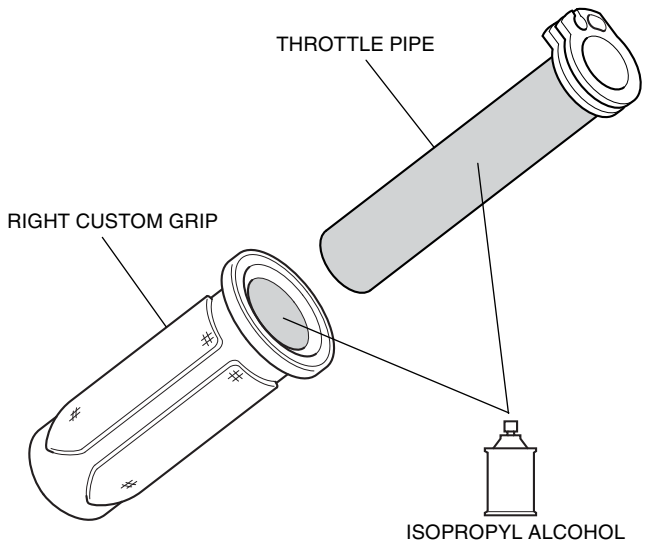
Read the instructions for steps 5 through 8 carefully before operation and complete the procedures quickly before the adhesive cures.



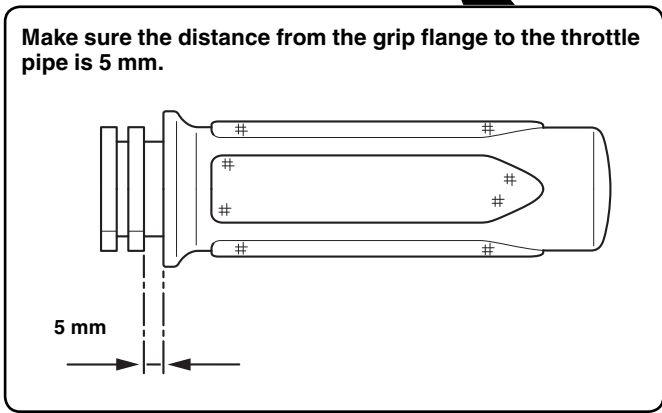
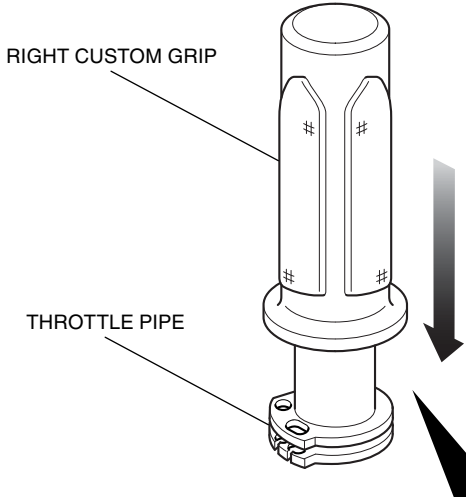
6. Apply Pro Honda Handgrip Cement to the throttle pipe and spread it as shown.



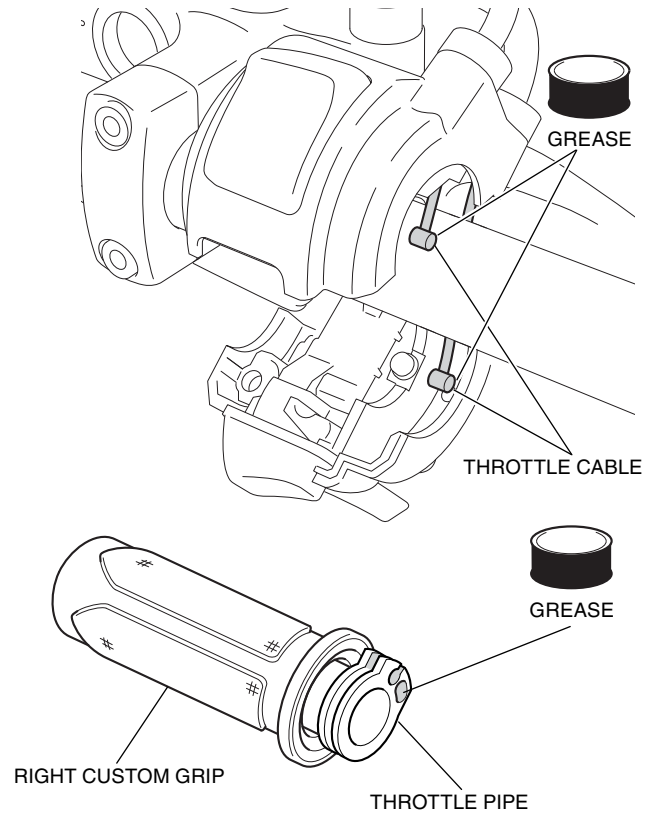
7. Spray isopropyl alcohol over the inside of the right custom grip and over the outer surface of the throttle pipe.
 - **This is done to ease installation.**



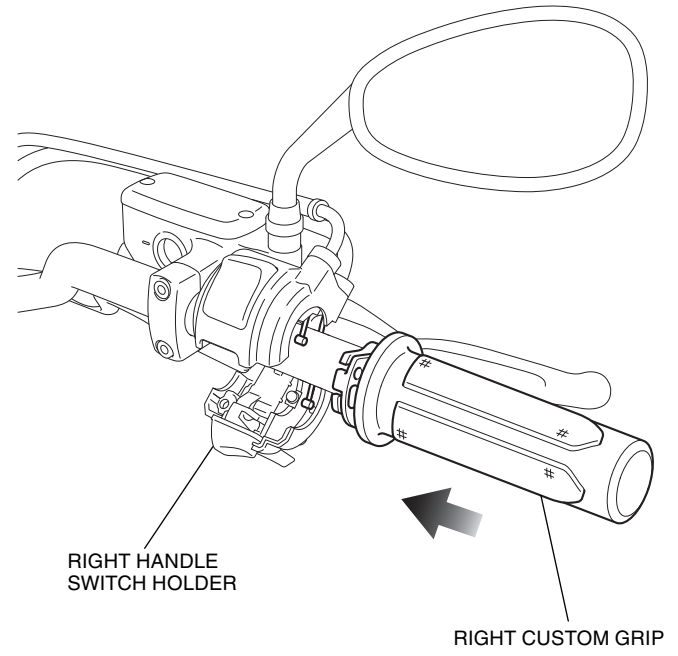
8. Push the right custom grip onto the throttle pipe, as shown in the illustration.
 - **Wipe off any excess adhesive.**



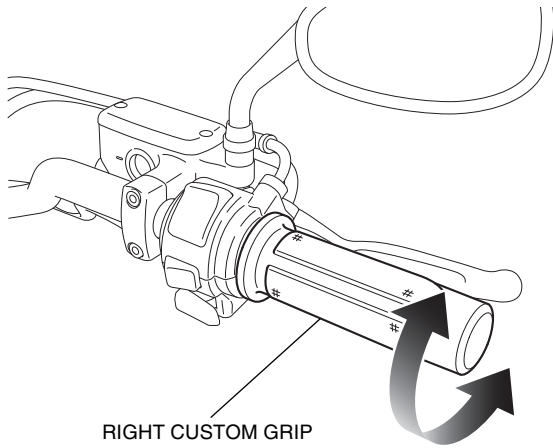
9. Apply grease to the throttle cable before reconnecting as shown.



10. Install the right custom grip in the reverse order of original grip removal, and then install the right handle switch holder.

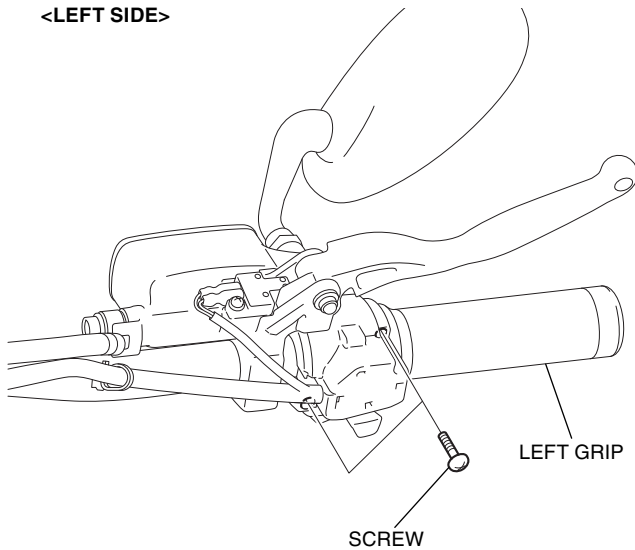


11. After installing the right custom grip on the motorcycle, check that the throttle opens smoothly and snaps shut from any opening, in any handlebar position.

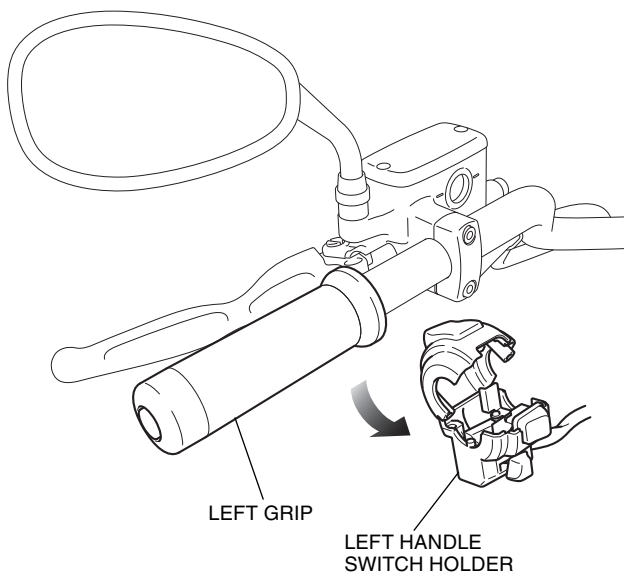


12. Remove the screws as shown.

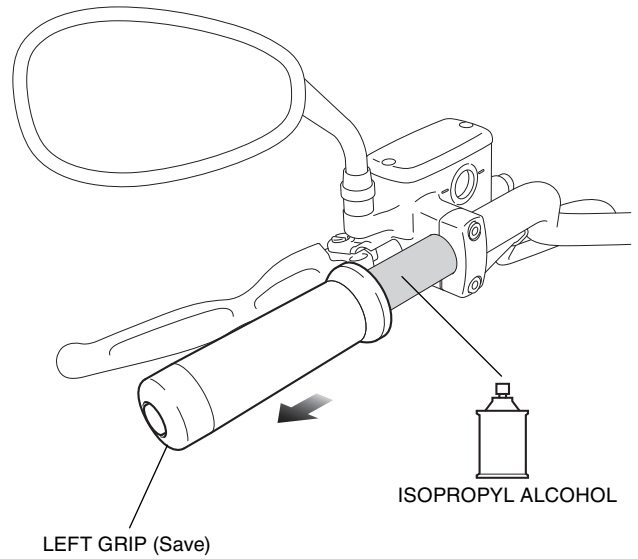
<LEFT SIDE>



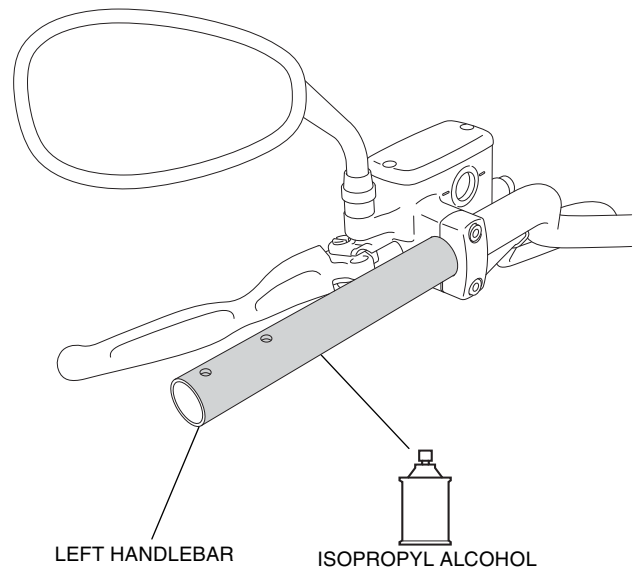
13. Remove the left handle switch holder as shown.



14. Remove the left grip as shown.



15. Use isopropyl alcohol as shown to remove any adhesive adhering to the left handlebar.



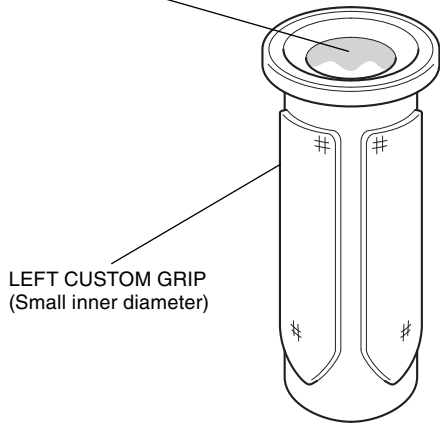
16. Install the left handle switch holder in the reverse order of removal.
17. Apply an ample amount of Pro Honda Handgrip Cement to the inside of the left custom grip as shown.

NOTE

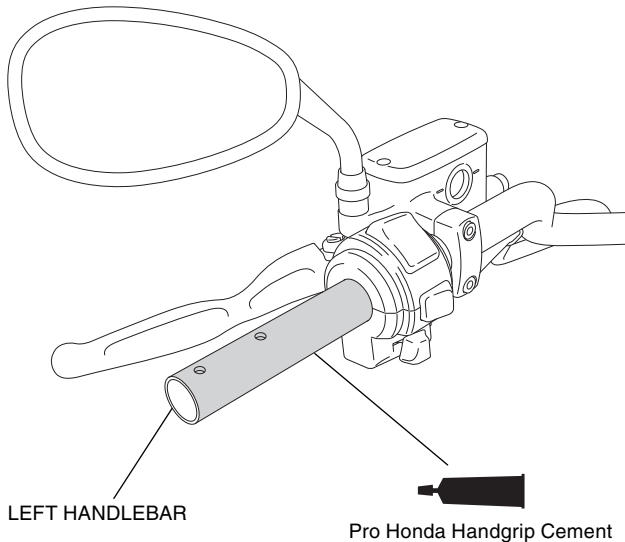
Read the instructions for steps 17 through 20 carefully before operation and complete the procedures quickly before the adhesive cures.



Pro Honda Handgrip Cement

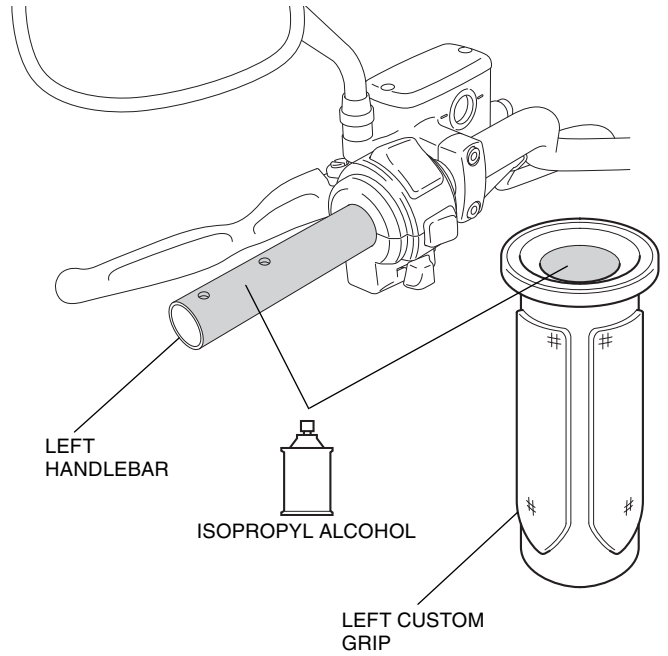


18. Apply Pro Honda Handgrip Cement to the left handlebar as shown.



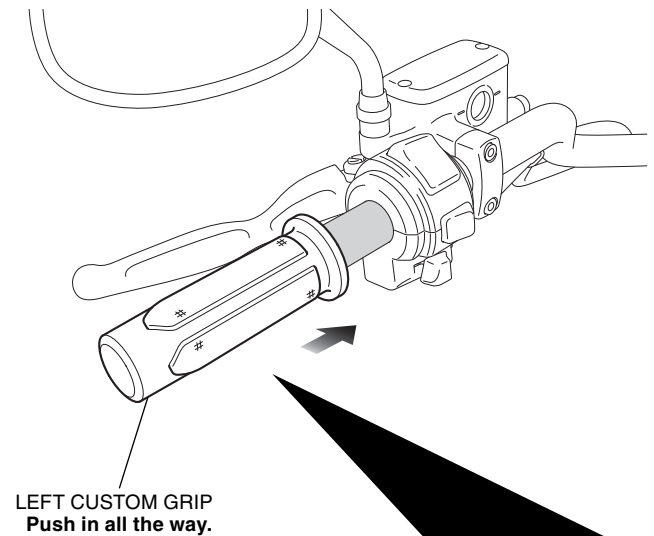
19. Spray isopropyl alcohol over the inside of the left custom grip and over the outer surface of the left handlebar.

- **This is done to ease installation.**



20. Install the left custom grip as shown.

- **Wipe off any excess adhesive.**



Match the rubber positions of left and right grips.

