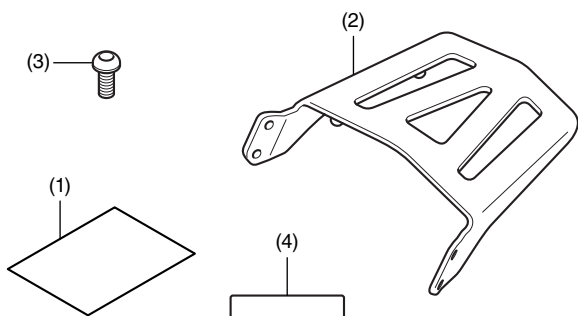


HONDA

INSTALLATION INSTRUCTIONS

Accessory	Application	Publication No.
REAR CARRIER P/N 08L71-MJR-670	GL1800C	MII 14918
		Issue Date
		March 2014

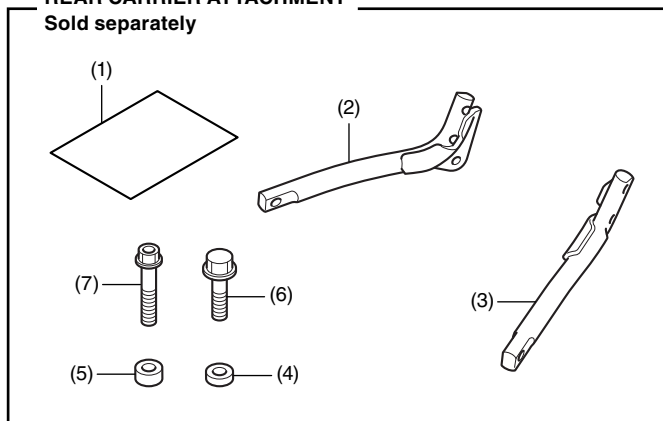
PARTS LIST



No.	Description	Qty
(1)	Installation Instruction URL	1
(2)	Rear carrier	1
(3)	8 mm socket bolt	4
(4)	Safety label	1

REAR CARRIER ATTACHMENT

Sold separately



No.	Description	Qty
(1)	Installation Instruction URL	1
(2)	Right rear carrier bar	1
(3)	Left rear carrier bar	1
(4)	Collar (thin)	2
(5)	Collar (thick)	2
(6)	8 mm flange bolt	2
(7)	8 mm SH flange bolt	2

TOOLS AND SUPPLIES REQUIRED

- Socket (10 and 12 mm)
- Ratchet
- Hex wrench (5 mm)
- Ruler
- Isopropyl alcohol
- Shop towel
- Torque wrench

TORQUE CHART

Tighten all screws, bolts, and nuts to their specified torque values. Refer to the Service Manual for the torque values of the removed parts.

Item	N·m	kgf·m	lbf·ft
8 mm socket bolt	22	2.2	16
8 mm SH flange bolt	27	2.8	20
8 mm flange bolt	27	2.8	20

MAXIMUM LOADING CAPACITY

- The weight of the cargo must not exceed the following maximum loading capacity:

Maximum Loading Capacity	
Rear carrier	6.6 lb (3.0 kg)

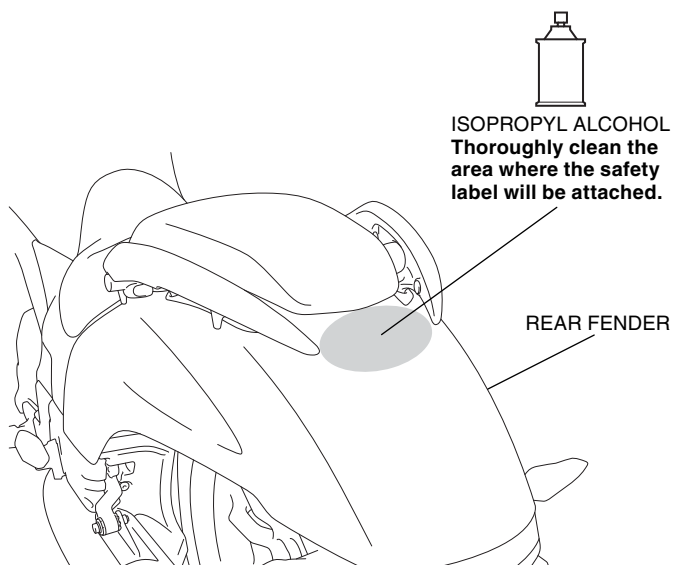
INSTALLATION

NOTE:

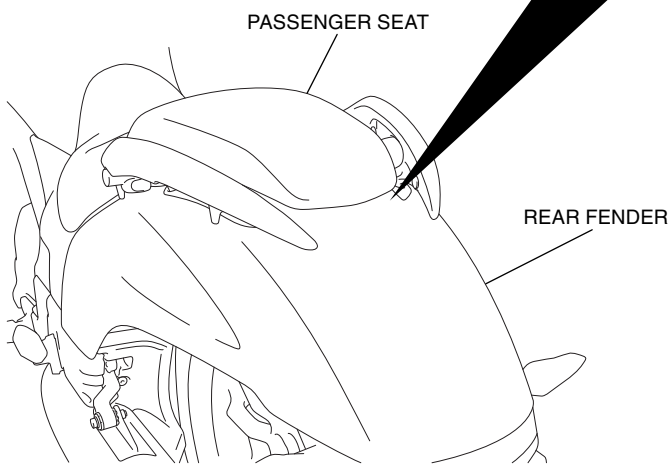
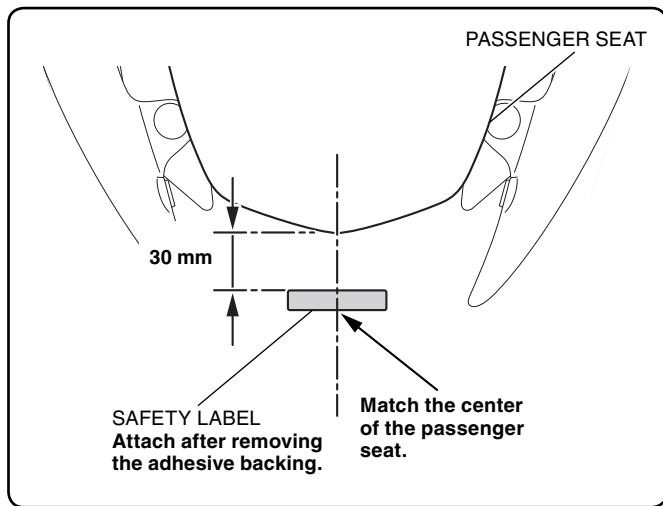
- The Rear carrier attachment is required for installation of this accessory.
- Heat the bonding surfaces with a hair dryer if the ambient air temperature is below 70°F (21°C).
- The adhesive reaches full strength in 72 hours. Wait at least 24 hours before riding your motorcycle.

- Clean the surface of the area shown using isopropyl alcohol.

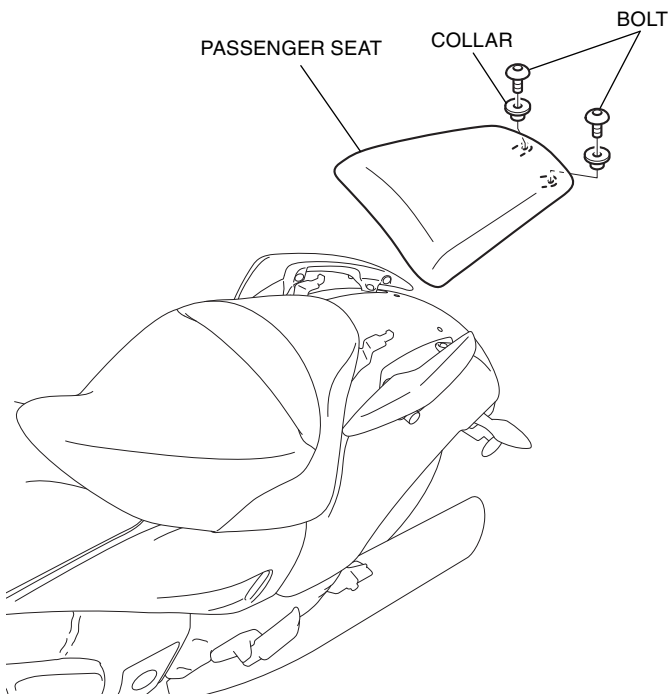
<Rear side>



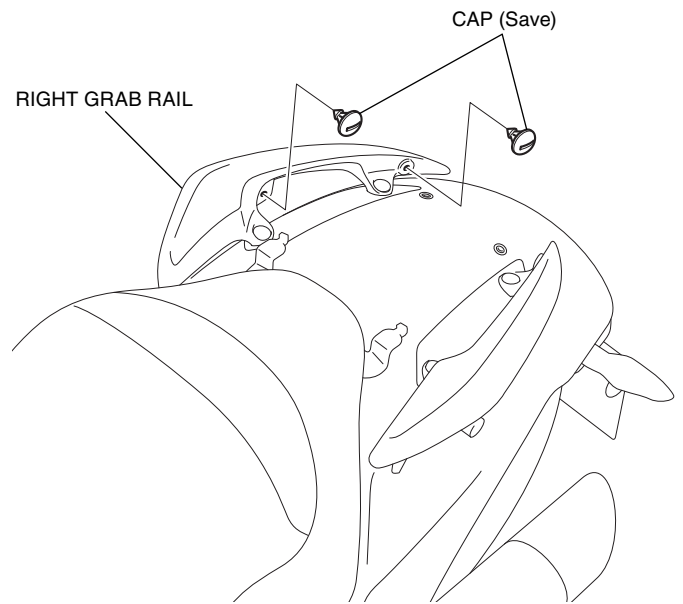
2. Attach the safety label in the position shown.



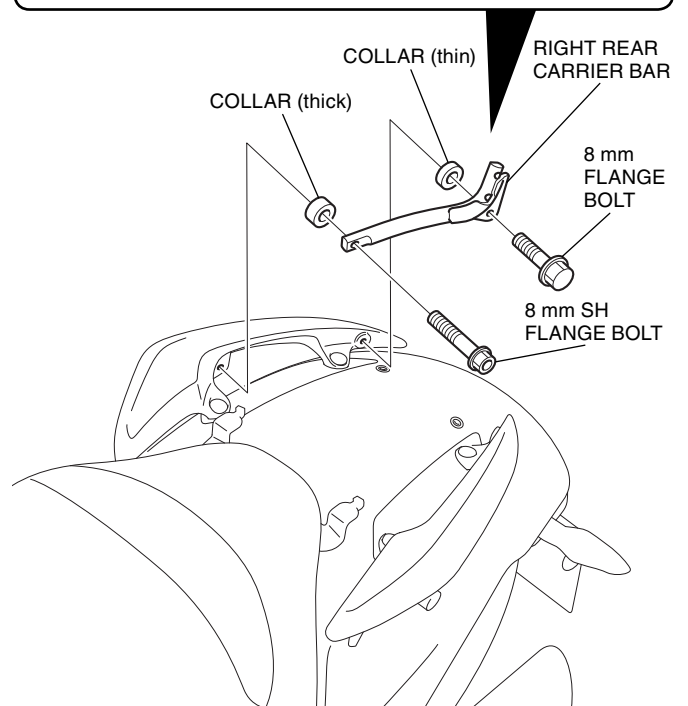
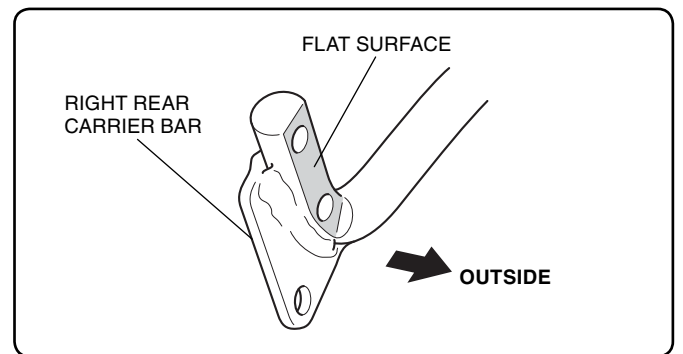
3. Remove the passenger seat as shown.



4. Remove the caps from the right grab rail as shown.

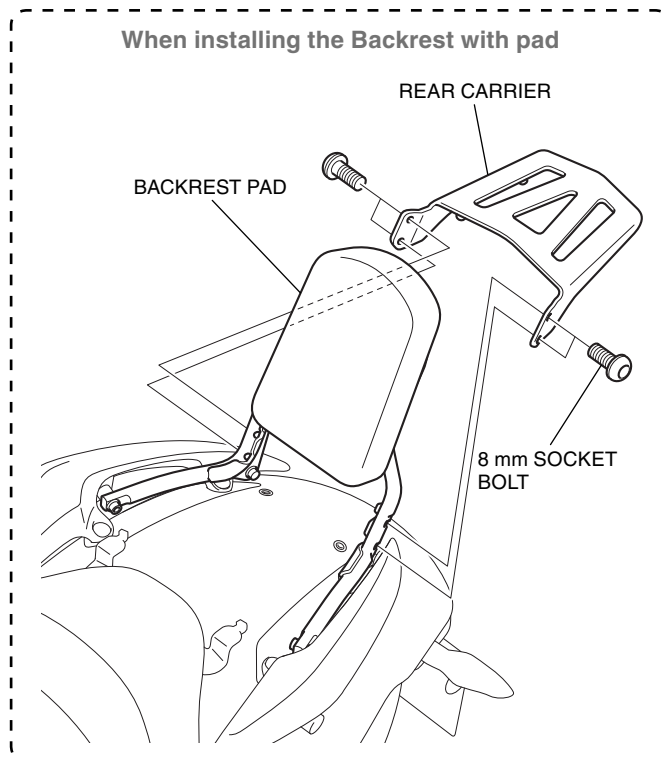
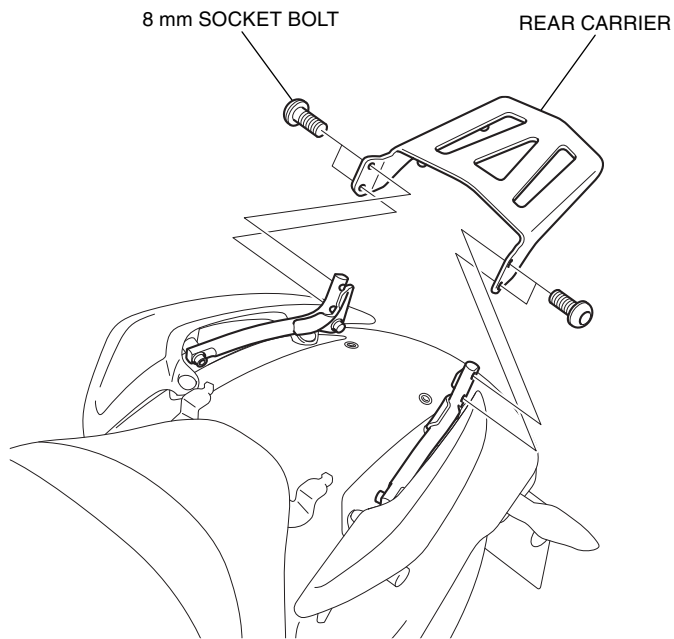


5. Loosely install the right rear carrier bar as shown.
• Protect the rear fender with a shop towel or similar.



6. Repeat Steps 4 and 5 on the left side.

7. Loosely install the rear carrier as shown.



8. Tighten the loosely installed parts securely.
9. Install the passenger seat in the reverse order of removal.
- **Protect with a shop towel or similar, and take care not to tear the passenger seat.**