

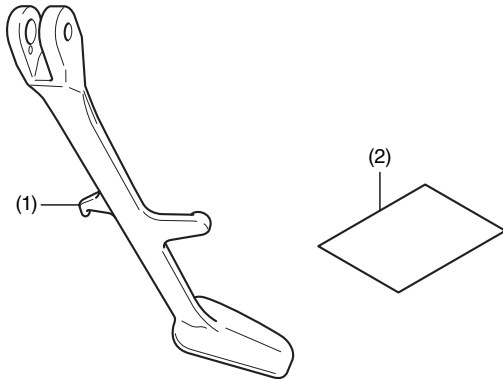
HONDA

INSTALLATION INSTRUCTIONS

| | | |
|---------------------------------------|---------------------------|-----------------|
| Accessory | Application | Publication No. |
| CHROME SIDESTAND P/N 08M70-MKC-A00 | GL1800/D/DA GL1800B/BD | MII 16426 |
| | | Issue Date |
| | | January 2018 |

Honda Dealer: Please give a copy of these instructions to your customer.

PARTS LIST



| No. | Description | Qty |
|-----|-------------------------------|-----|
| (1) | Chrome sidestand | 1 |
| (2) | Installation instructions URL | 1 |

SUPPLY REQUIRED

Grease

TORQUE CHART

Refer to the Service Manual for the torque values of the removed parts.

INSTALLATION

▲ CAUTION

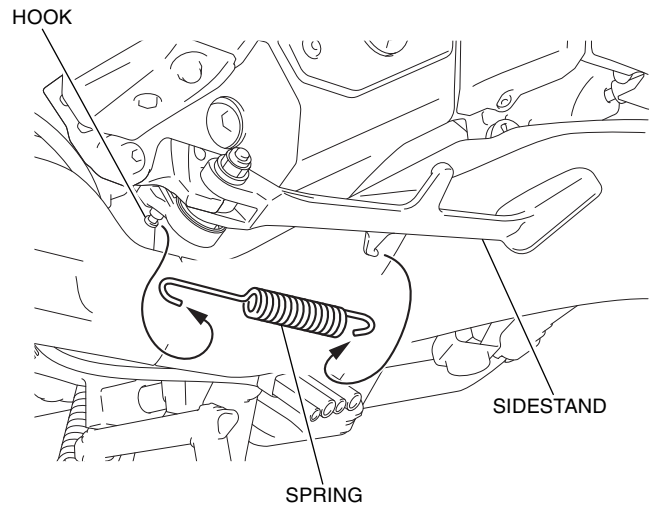
- To prevent burns, allow the engine, exhaust system, radiator, etc., to cool before installing the accessory.

NOTE:

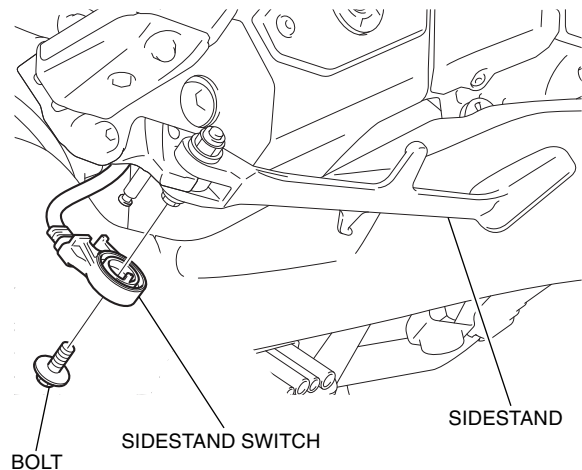
- Be extremely careful when installing the spring as the combined tension of the spring is very strong.
- Support your motorcycle securely when installing the sidestand.
- The spring installation should be performed by two people. While one person holds the motorcycle, another person installs the spring.

- Remove the spring from the sidestand as shown.

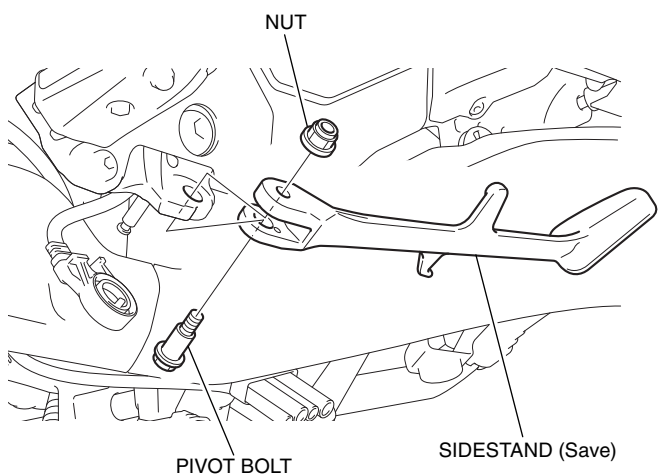
<Left side>



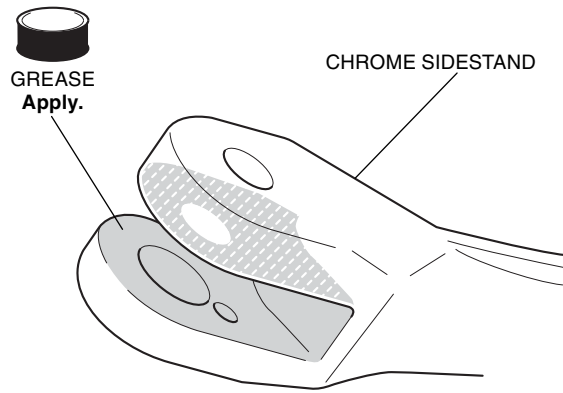
- Remove the sidestand switch as shown.



- Remove the pivot bolt and sidestand as shown.



4. Apply grease to the positions shown.



5. Install the chrome sidestand, sidestand switch and spring in the reverse order of removal.
- **Refer to the Service Manual, tighten the pivot bolt and nut.**
 - **The spring installation should be performed by two people. While one person holds the motorcycle, another person installs the spring.**
6. Check the sidestand switch and each light for proper operation.
- **Check that the engine does not start with the sidestand in the down position.**
 - **Check that the engine starts with sidestand retracted.**