



INSTALLATION INSTRUCTIONS

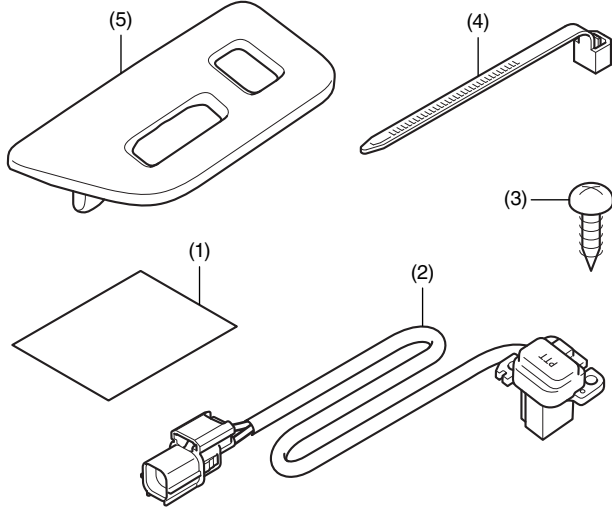
Accessory
PASSENGER PUSH-TO-TALK SWITCH
 P/N 08E82-MKC-A00

Application
GL1800/D/DA

Publication No.
MII 16426
 Issue Date
January 2018

Honda Dealer: Please give a copy of these instructions to your customer.

PARTS LIST



No.	Description	Qty
(1)	Installation Instructions URL	1
(2)	Passenger push-to-talk (PTT) switch	1
(3)	4 mm screw	2
(4)	Wire tie	1
(5)	Left switch cover	1

TOOLS REQUIRED

Phillips screwdriver
 Torque wrench

TORQUE CHART

Tighten all screws, bolts, and nuts to their specified torque values. Refer to the Service Manual for the torque values of the removed parts.

Item	N·m	kgf·m	lbf·ft
4 mm screw	1	0.1	0.7

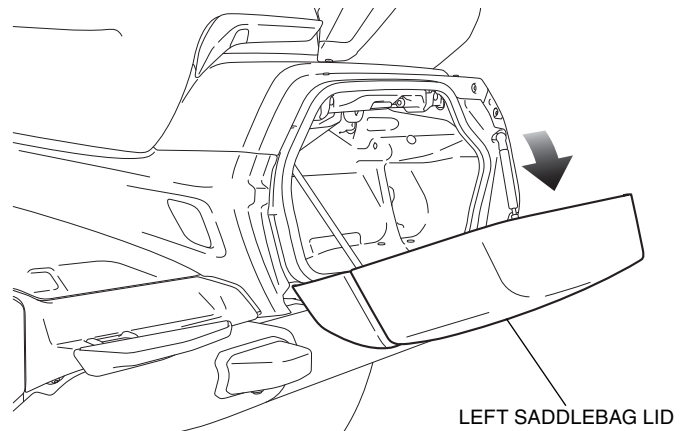
INSTALLATION

NOTE:

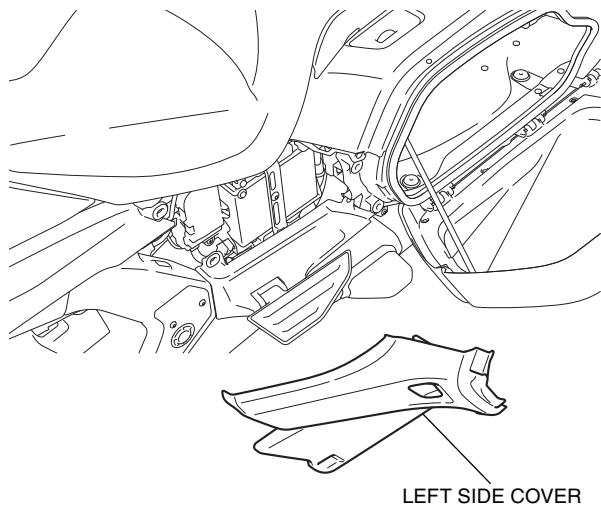
- Disconnect the negative (-) cable from the battery before installing this accessory.
- The memory of the clock will be erased when you disconnect the battery. Reset the clock after reconnecting the battery.
- Reinstall the removed parts on the motorcycle and make sure that the wires and harnesses are not pinched.
- Trim the excess ends off the wire ties after attaching them to the wire harnesses. Do not allow the cut part of the wire tie to interfere with another harness or brake hose.
- For installation of CB radio and CB switch, refer to the installation instructions for the each accessory.

1. Open the left saddlebag lid as shown.
 - **Repeat on the right side.**

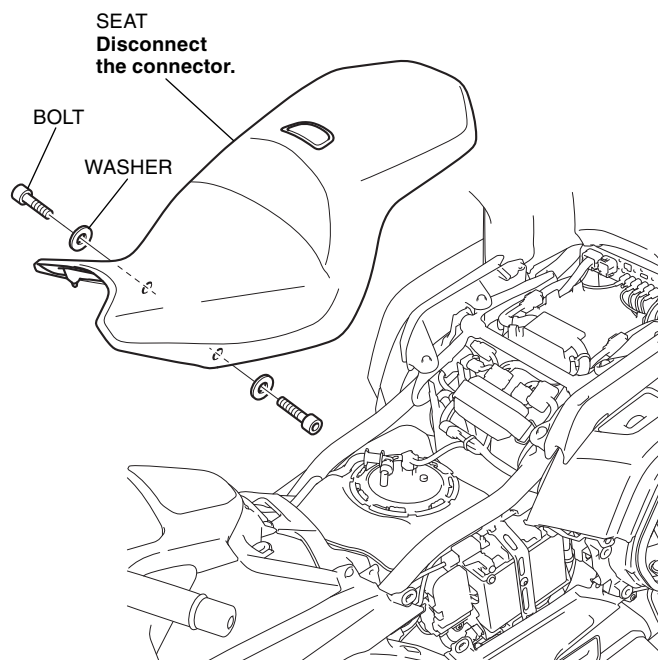
<Left side>



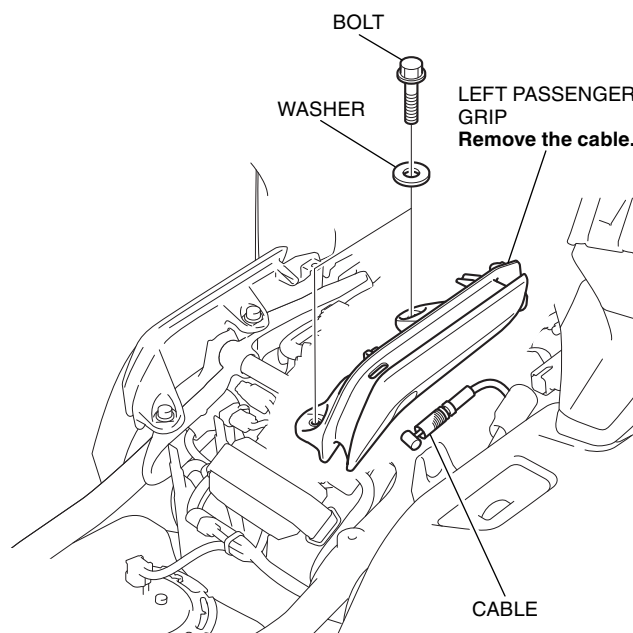
2. Remove the left side cover as shown, and disconnect the battery negative (-) cable.



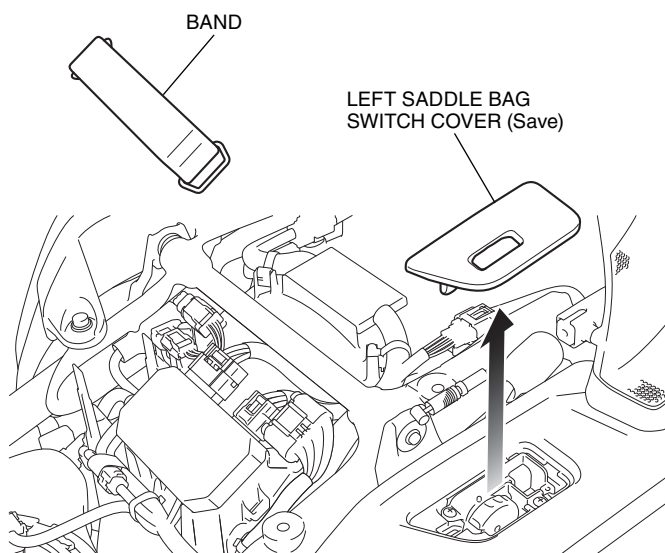
3. Remove the right side cover in the same manner as the left side.
4. Remove the seat as shown.



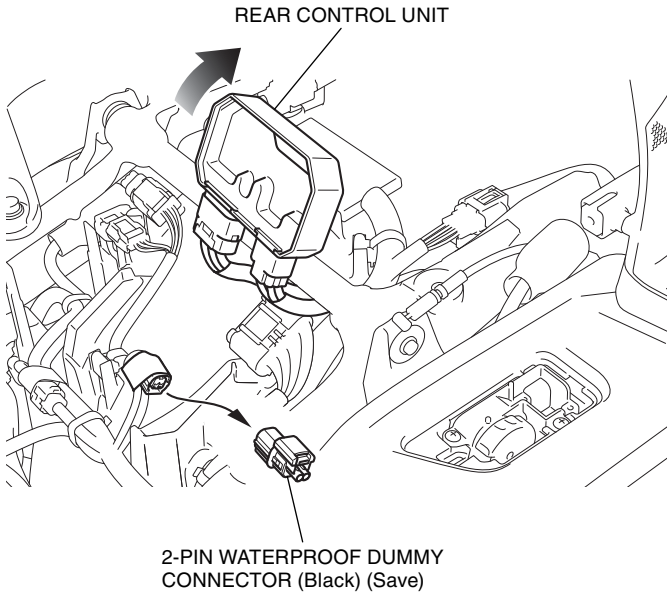
5. Remove the left passenger grip as shown.



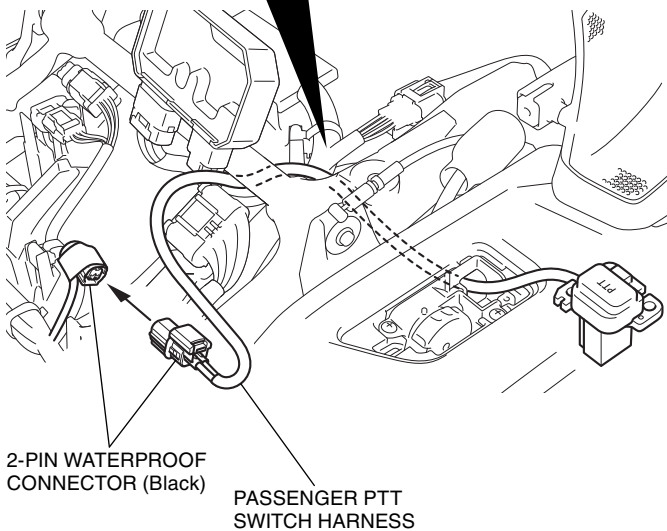
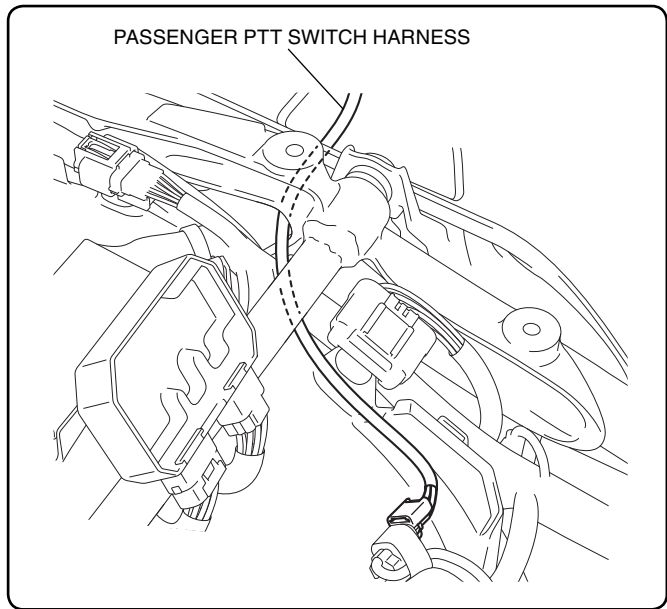
6. Remove the left saddlebag switch cover and band as shown.



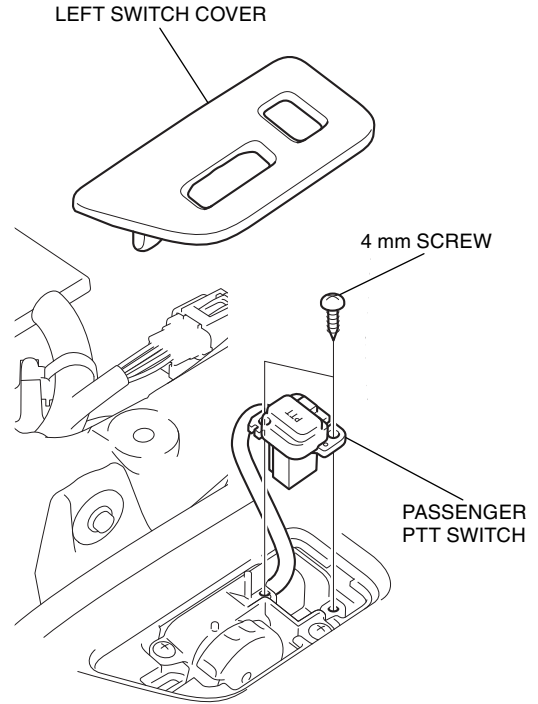
7. Move the rear control unit, and remove the 2P Black dummy connector as shown.



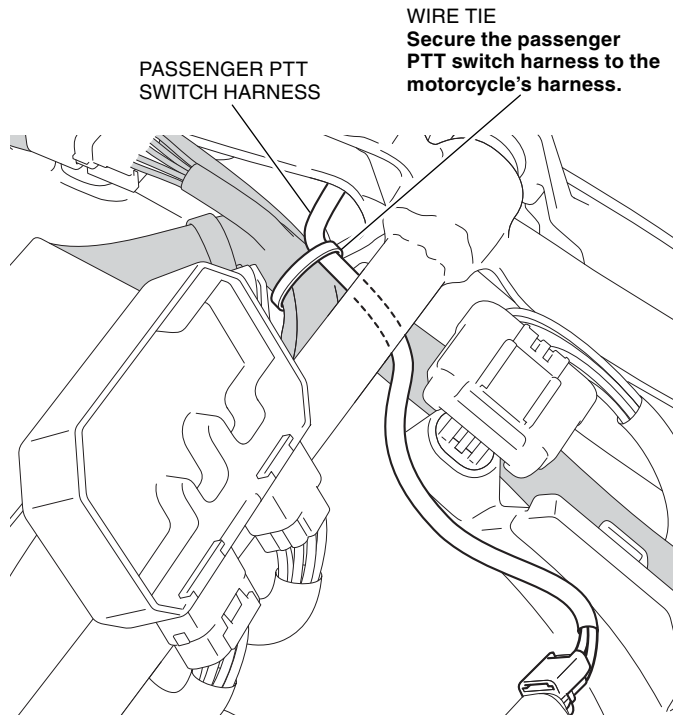
8. Route and connect the passenger PTT switch harness as shown.



9. Install the passenger PTT switch and left switch cover as shown.



10. Secure the passenger PTT switch harness with the wire tie.



11. Install the motorcycle's parts in the reverse order of removal.
 - Confirm that any wire harness is not caught or too tight.
12. Check the passenger PTT switch, headlight and the other lights for proper operation.