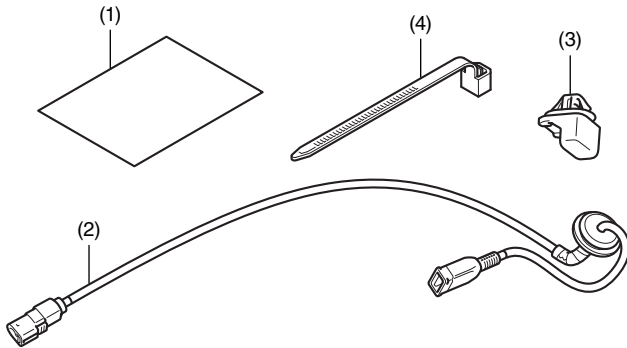


Accessory	Application	Publication No.
USB CORD P/N 08E79-MKC-A00	GL1800/D/DA GL1800B/BD	MII 16426
		Issue Date
		January 2018

**Honda Dealer: Please give a copy of these instructions to your customer.**

## PARTS LIST



No.	Description	Qty
(1)	Installation Instructions URL	1
(2)	USB cord	1
(3)	Holder clip	1
(4)	Wire tie	3

## SUPPLIES REQUIRED

- Dish soap solution  
(Water:Dish soap / 100:1)
- Shop towel
- Side cutters

## TORQUE CHART

Refer to the Service Manual for the torque values of the removed parts.

## INSTALLATION

### ▲ CAUTION

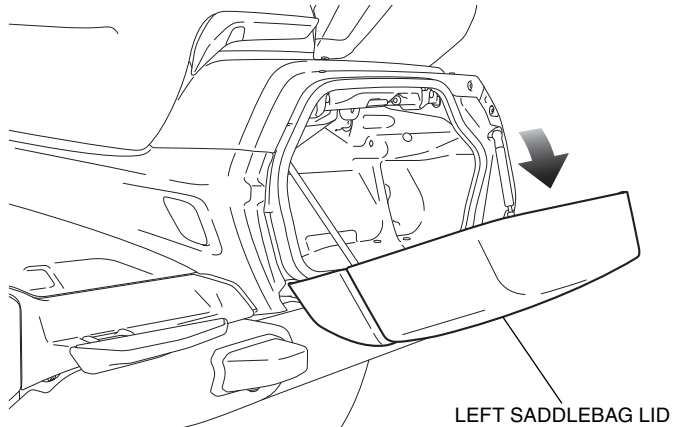
- To prevent burns, allow the engine, exhaust system, radiator, etc., to cool before installing the accessory.

### NOTE:

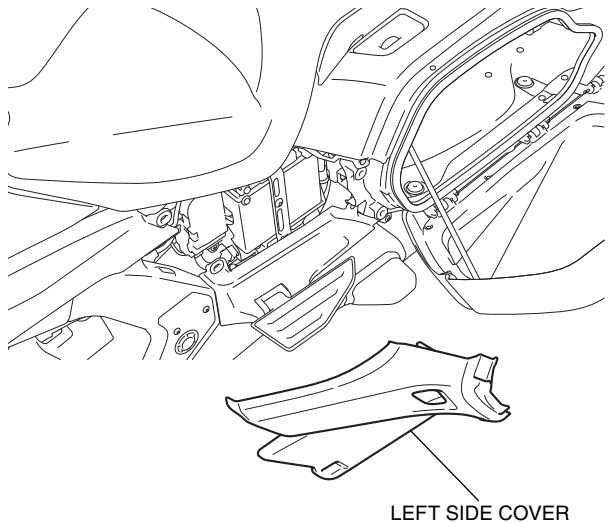
- Disconnect the negative (-) cable from the battery before installing this accessory.
- The clock will be erased when you disconnect the battery. Reset the clock after reconnecting the battery.
- Reinstall the removed parts on the motorcycle and make sure that the wires and harnesses are not pinched.
- Trim the excess ends off the wire ties after attaching them to the wire harnesses. Do not allow the cut part of the wire tie to interfere with another harness or brake hose.

- Open the left saddlebag lid as shown.
  - Repeat on the right side.

<Left side>

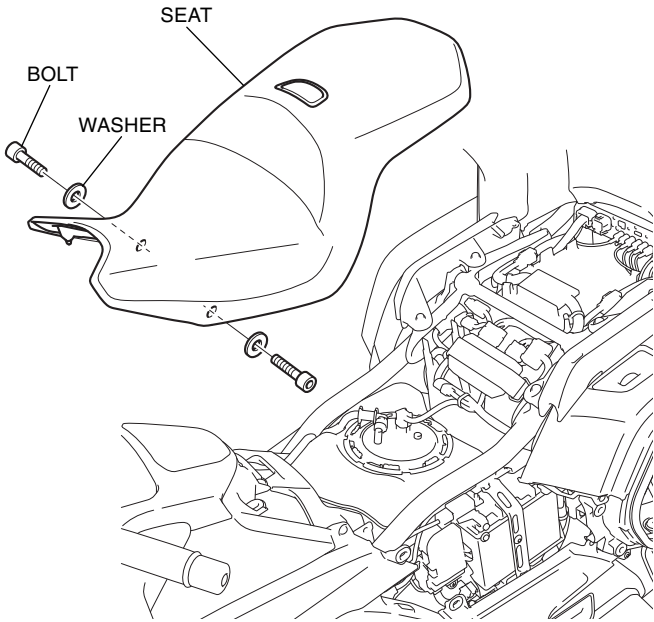


- Remove the left side cover as shown, and disconnect the negative (-) cable from the battery.

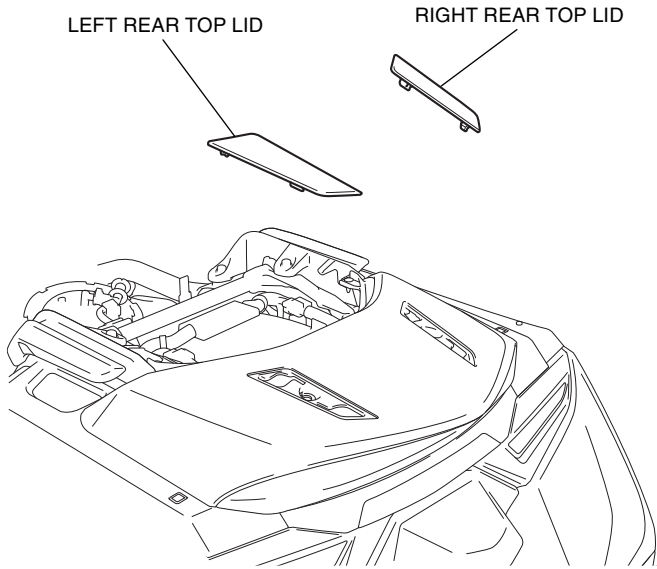


- Remove the right side cover in the same manner as the left side.

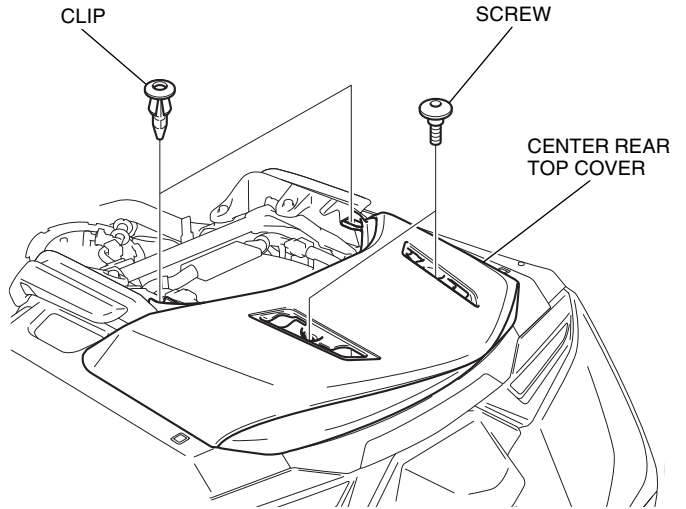
4. Remove the seat as shown.
- **Disconnect the connector for GL1800/D/DA.**



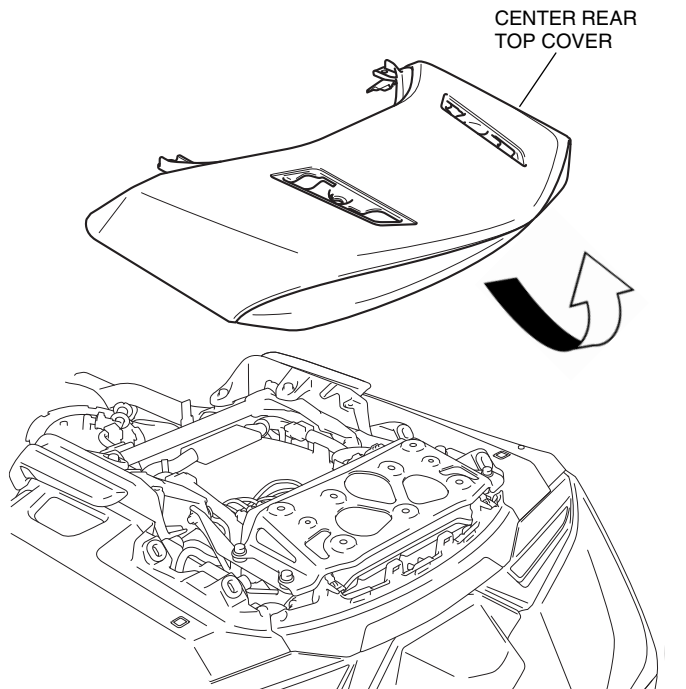
5. Remove the right and left rear top lid as shown.
- **Perform this step on GL1800B/BD only.**



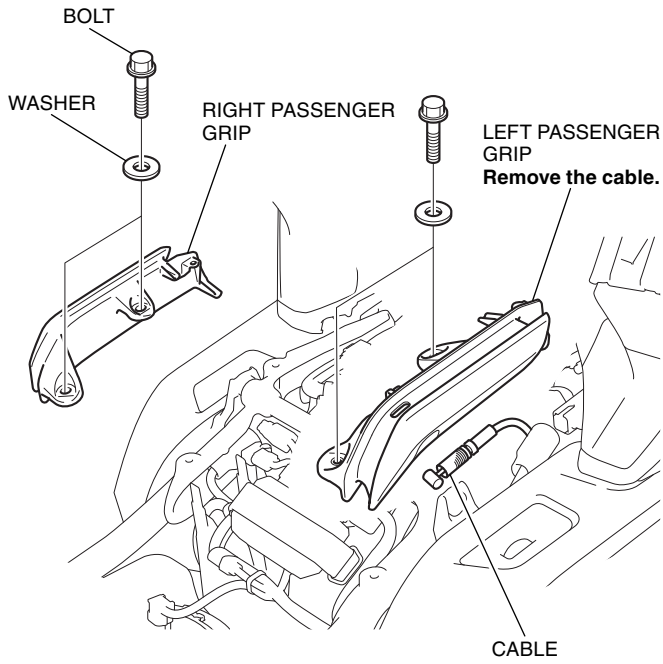
6. Remove the parts as shown.
- **Perform this step on GL1800B/BD only.**



7. Remove the center rear top cover by pulling it firmly up and back as shown.
- **Perform this step on GL1800B/BD only.**

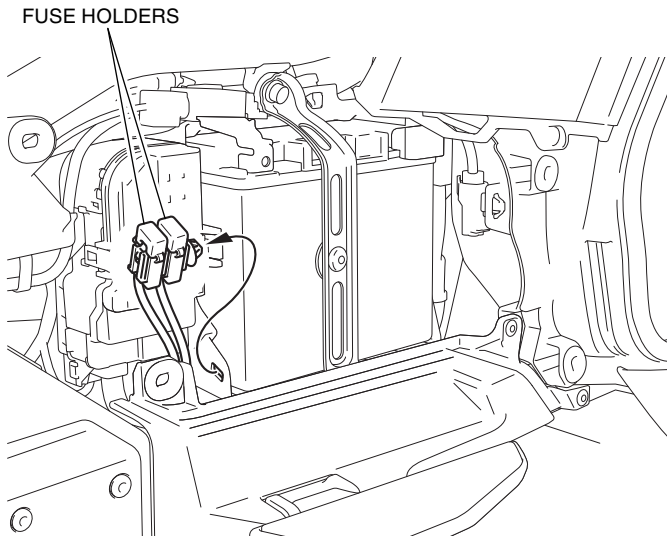


8. Remove the right and left passenger grip as shown.

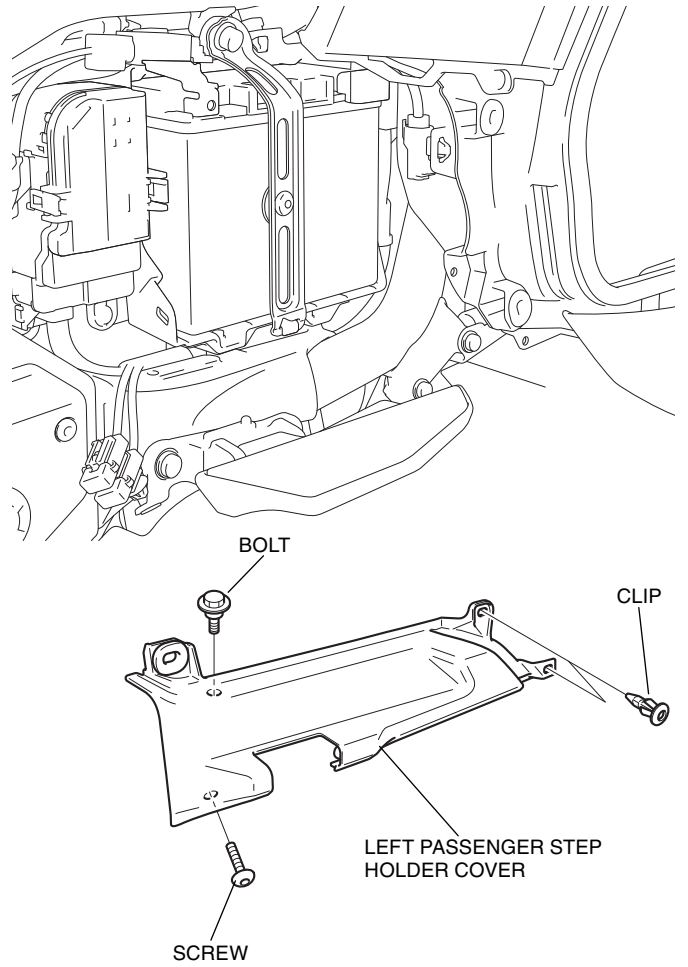


9. Remove the fuses holders as shown.

<Left side>

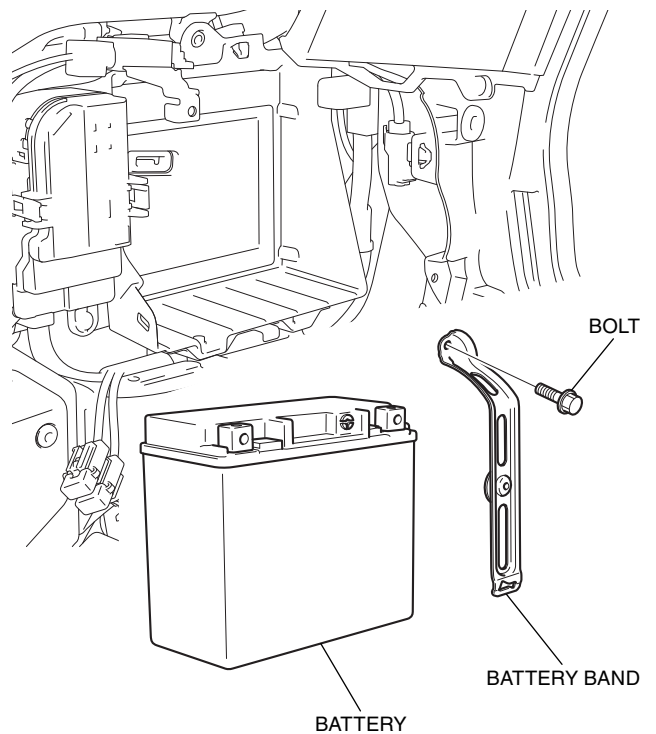


10. Remove the left passenger step holder cover as shown.

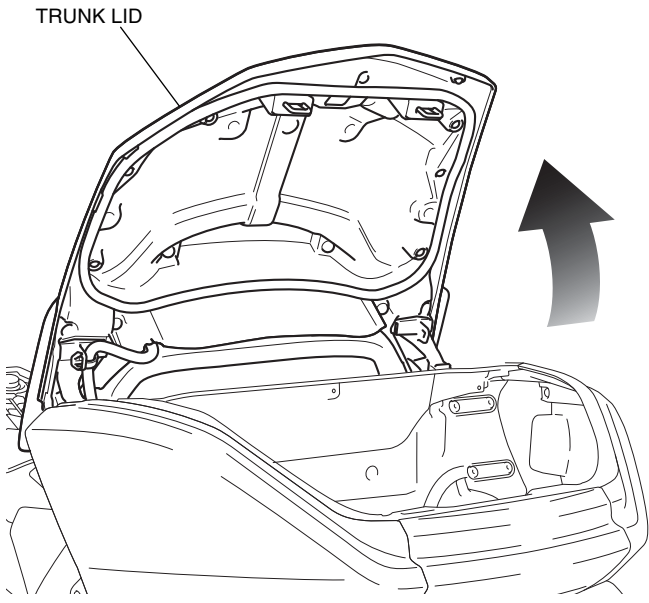


11. Remove the battery band and battery as shown.

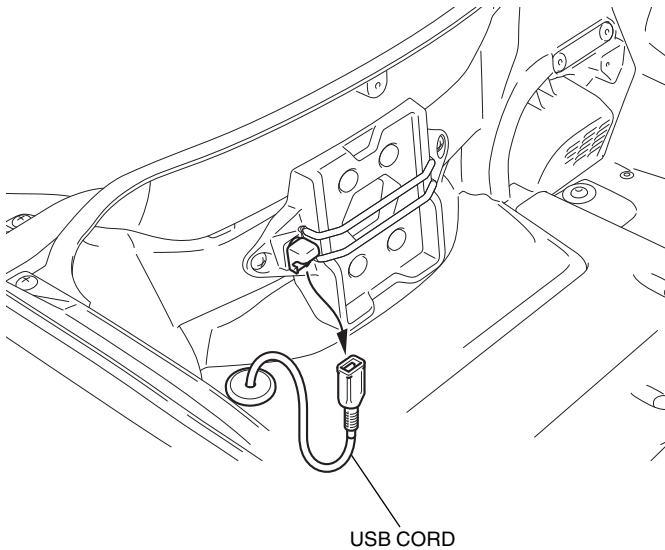
- **Disconnect the positive (+) cable from the battery.**



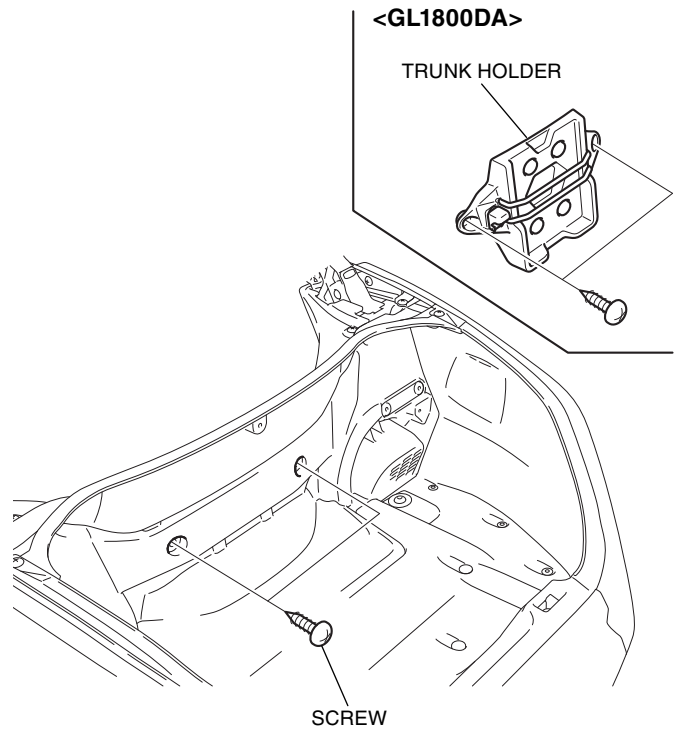
12. Open the trunk lid as shown.
- Perform this step on GL1800/D/DA only.
  - Refer to the Owner's Manual and use the emergency trunk cable to open the trunk lid.



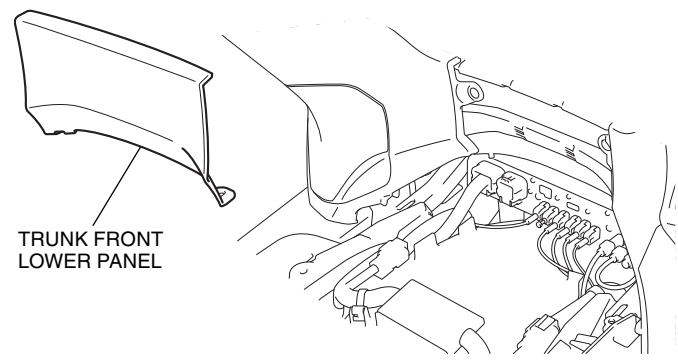
13. Remove the USB cord as shown.
- Perform this step on GL1800DA only.



14. Remove the parts as shown.
- Perform this step on GL1800/D/DA only.

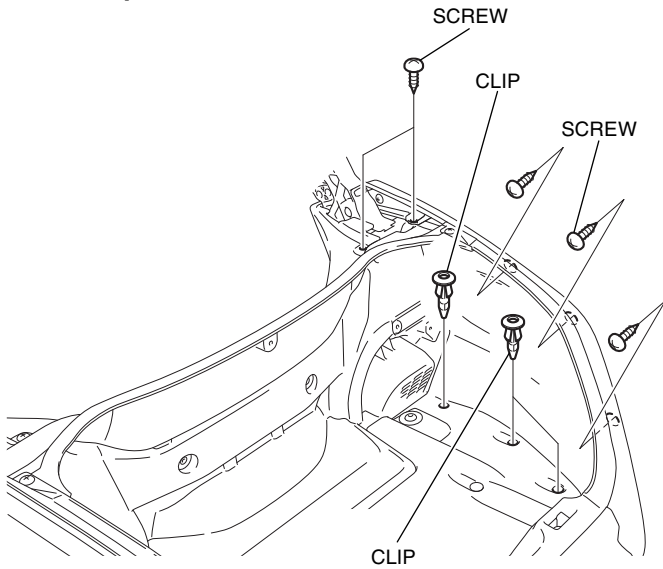


15. Remove the trunk front lower panel as shown.
- Perform this step on GL1800/D/DA only.



16. Remove the parts as shown.

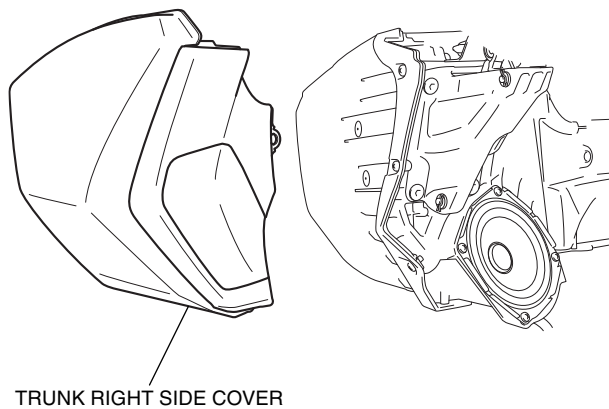
- Perform this step on GL1800/D/DA only.
- Repeat on the left side.



17. Remove the trunk right side cover as shown.

- Perform this step on GL1800/D/DA only.
- Repeat on the left side.

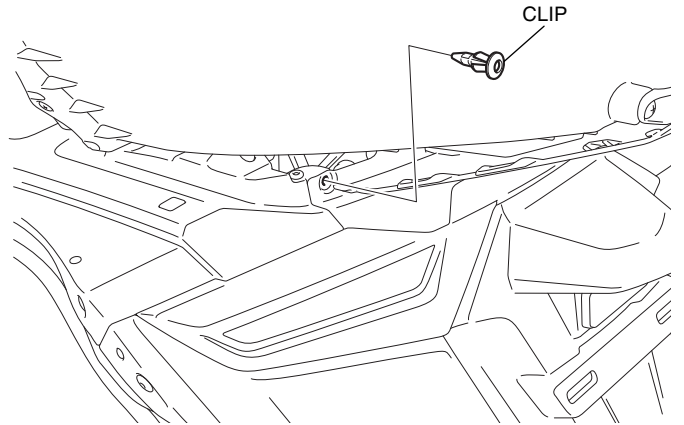
<Right side>



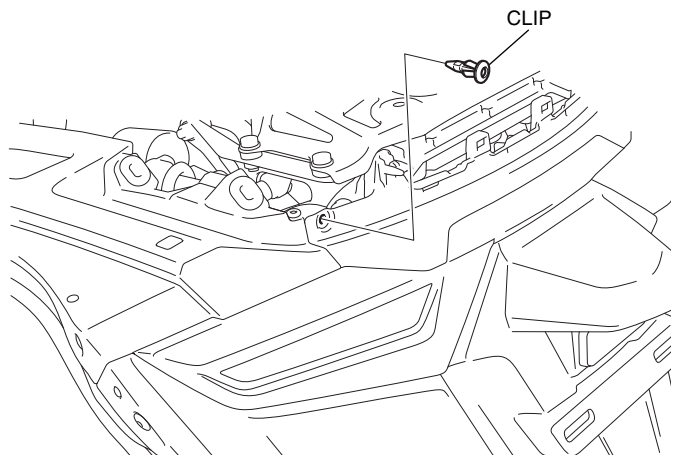
18. Remove the clips as shown.

- Repeat on the right side.

<Left side> GL1800/D/DA

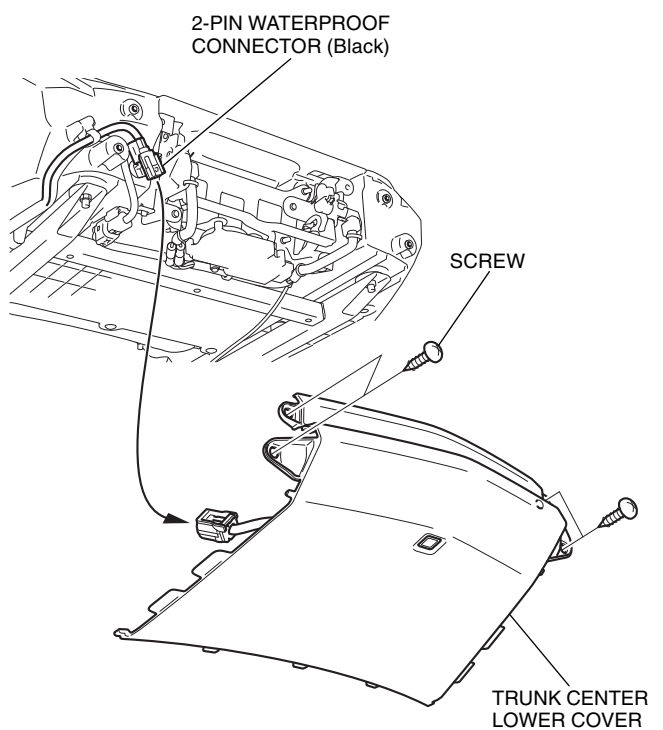


<Left side> GL1800B/BD



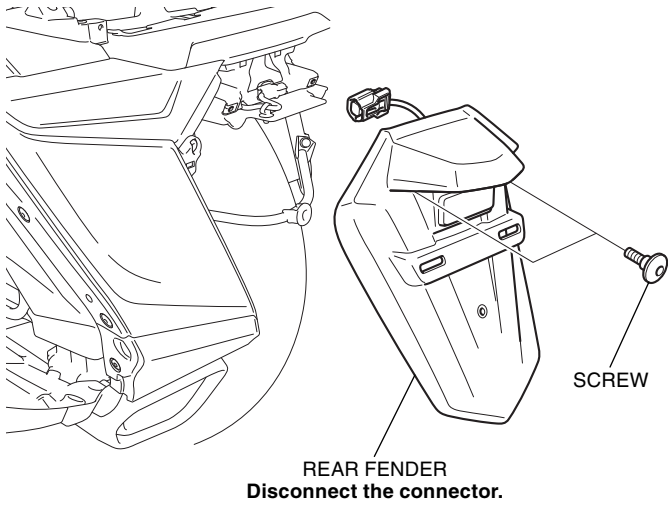
19. Disconnect the connector and remove the trunk center lower cover as shown.

- Perform this step on GL1800/D/DA only.

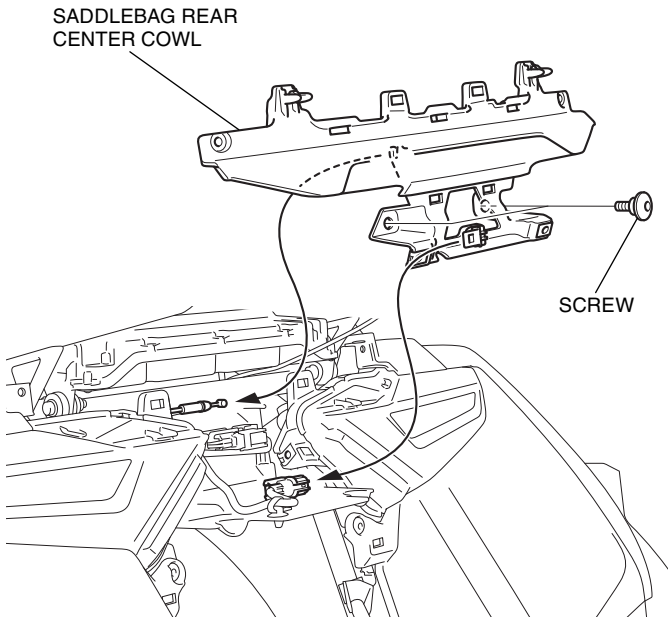




20. Remove the rear fender as shown.

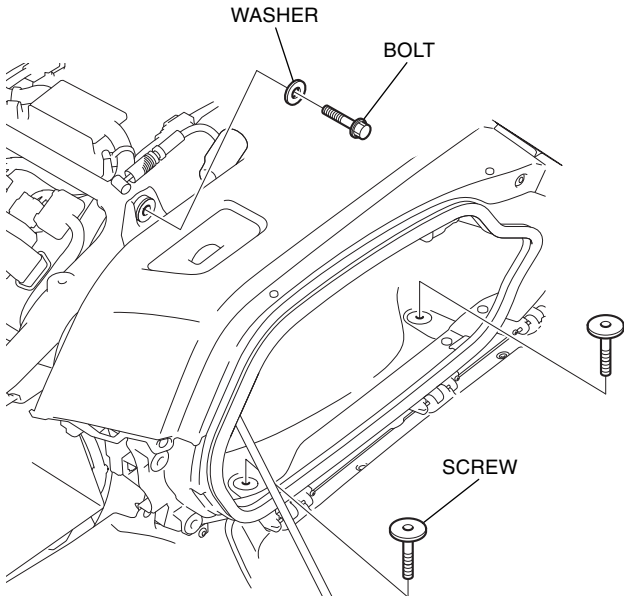


21. Remove the saddlebag rear center cowl as shown.

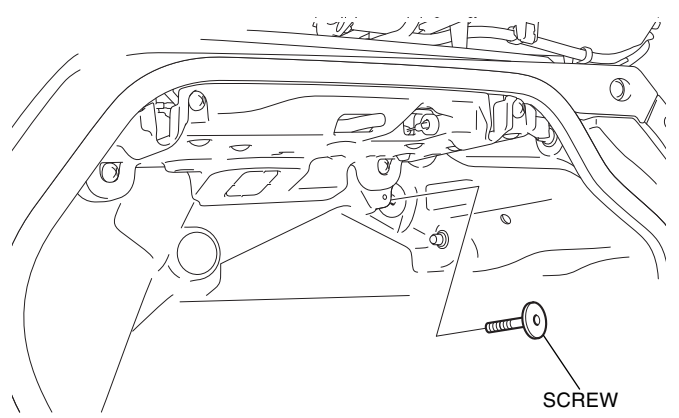


22. Remove the parts as shown.

<Left side>

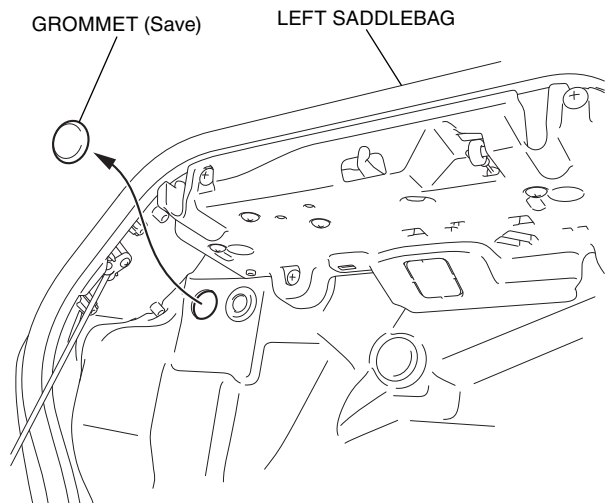


23. Remove the screw as shown.

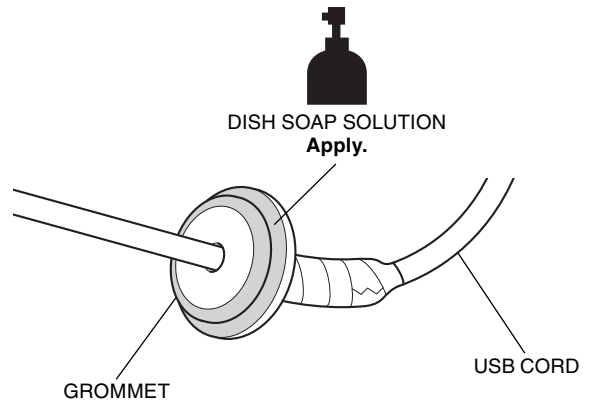


24. Remove the grommet as shown.

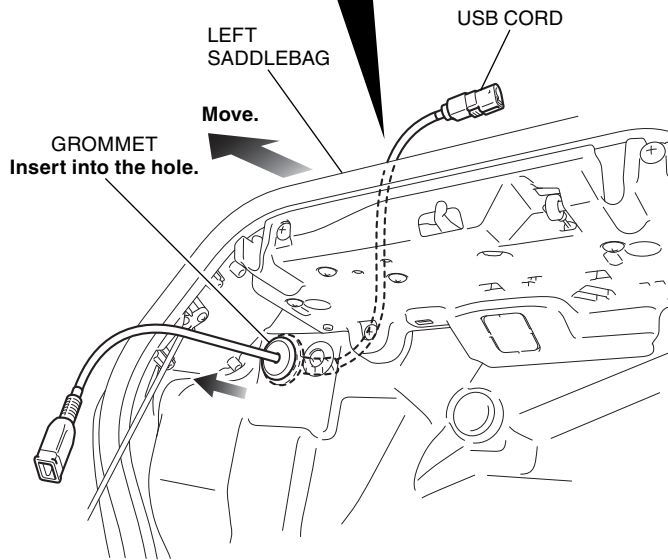
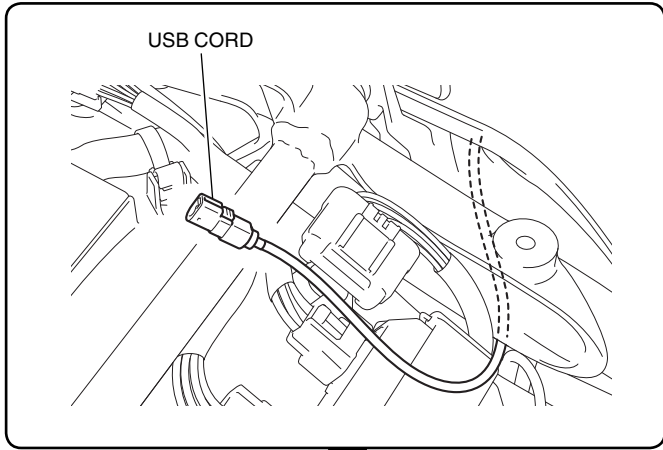
<Left side>



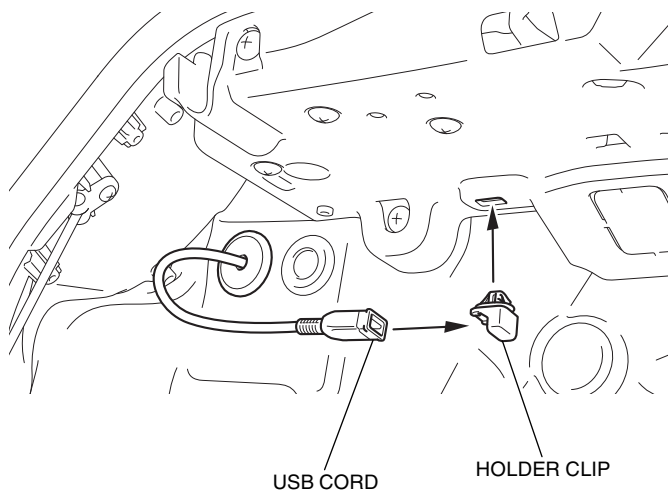
25. Apply dish soap solution to the position shown.



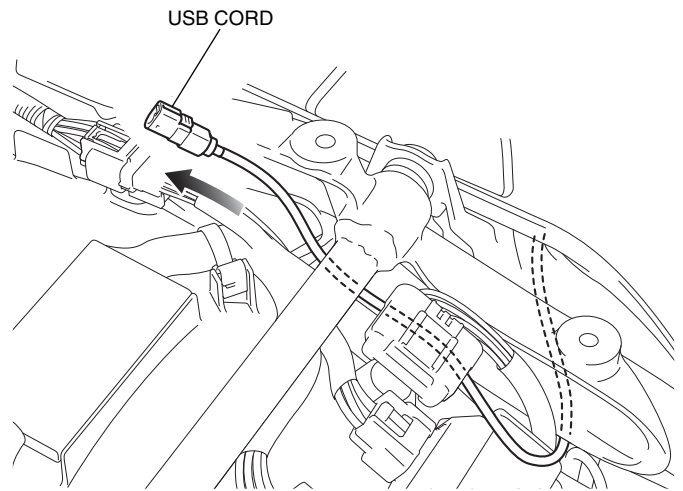
26. Move the left saddlebag and route the USB cord as shown.



27. Install the holder clip as shown.

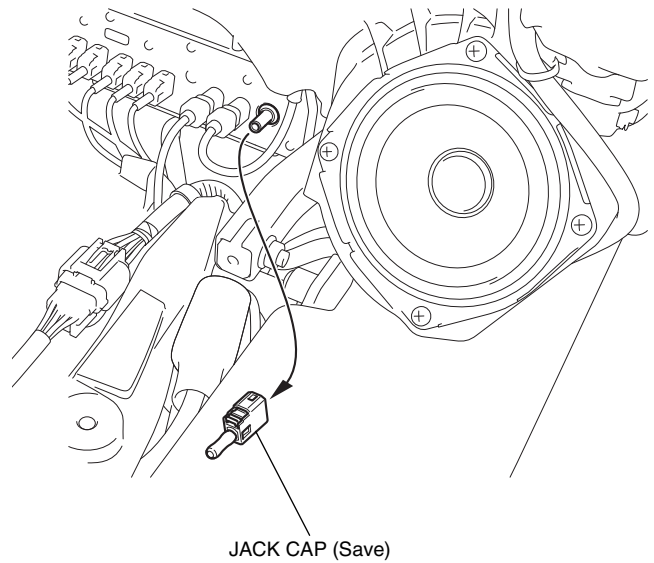


28. Route the USB cord as shown.



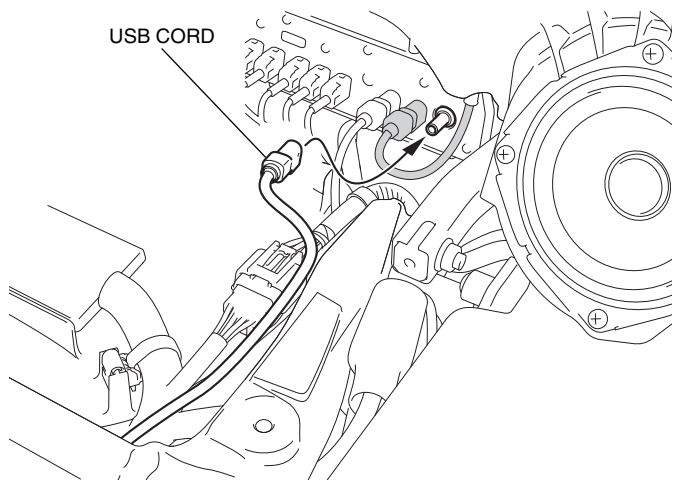
29. Install the left saddlebag in the reverse order of removal.

30. Remove the jack cap as shown.

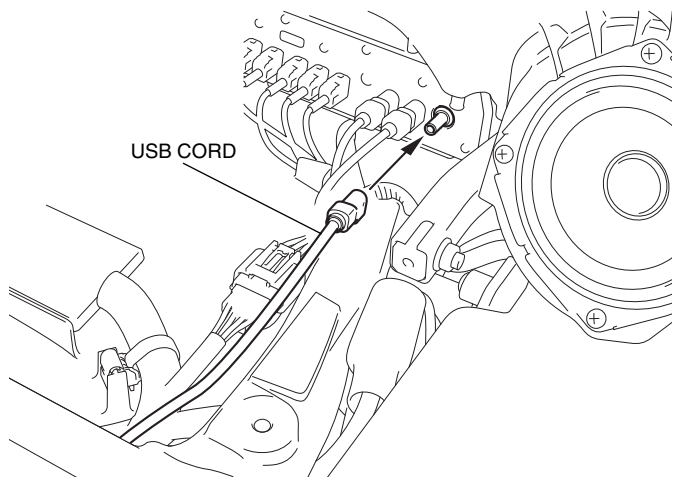


31. Route and connect the USB cord as shown.

<GL1800DA>

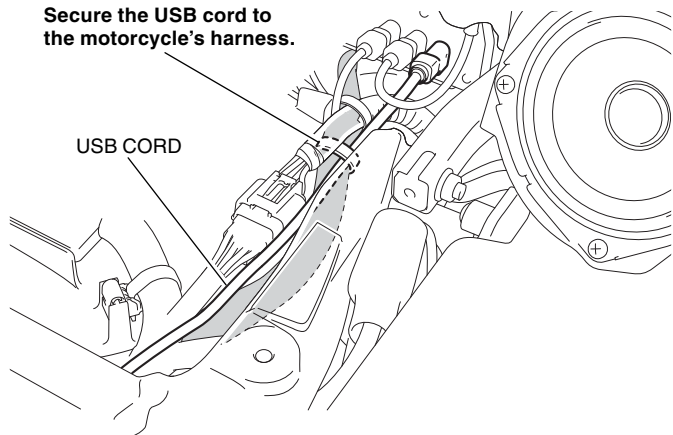


<GL1800/D/B/BD>

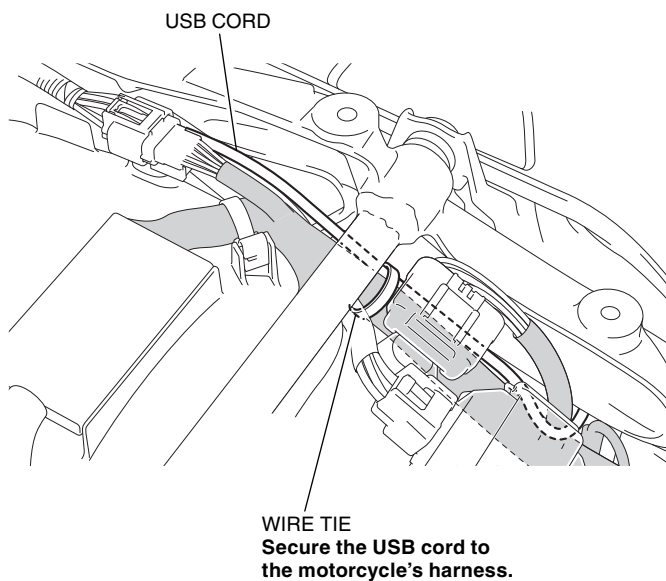


32. Secure the USB cord with the wire tie as shown.

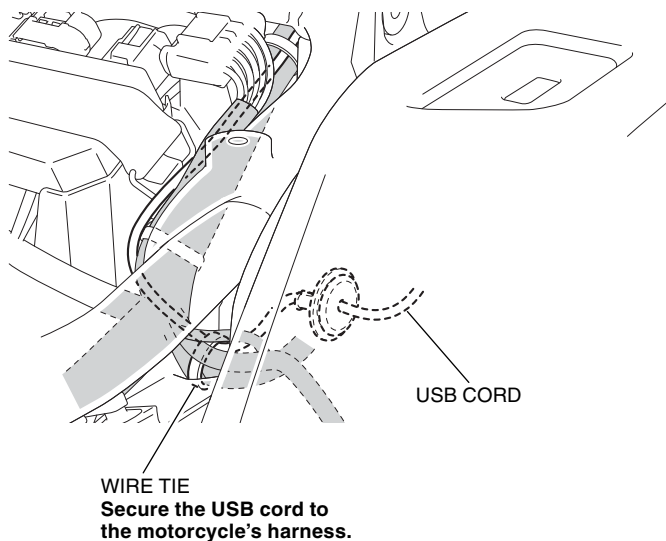
WIRE TIE  
Secure the USB cord to  
the motorcycle's harness.



33. Secure the USB cord with the wire tie as shown.



34. Secure the USB cord with the wire tie as shown.



35. Install the motorcycle's parts in the reverse order of removal.

- Confirm that any wire harness is not caught or too tight.

36. Check the USB cord, headlight and the other lights for proper operation.

Check the operation of the trunk opener.