



INSTALLATION INSTRUCTIONS

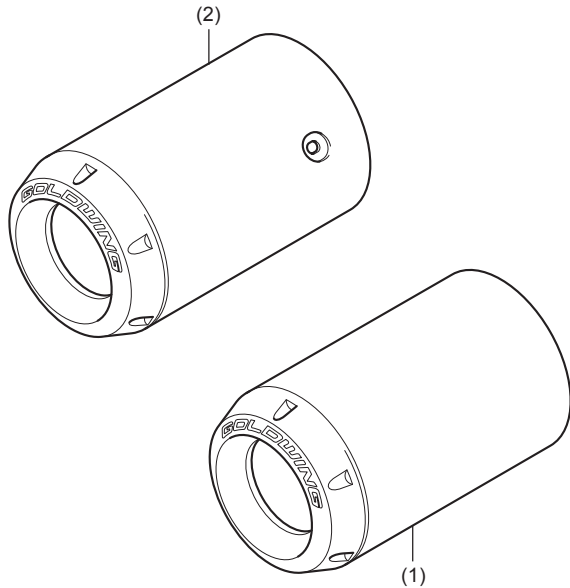
Accessory
CHROME EXHAUST TIPS
 P/N 08F53-MCA-100K

Application
GL1800

Publications No.
MII 11185
 Issue Date
July 2005

Honda Dealer: Please give a copy of these instructions to your customer.

PARTS LIST



No.	Description	Qty
(1)	Right exhaust tip	1
(2)	Left exhaust tip	1

TORQUE CHART

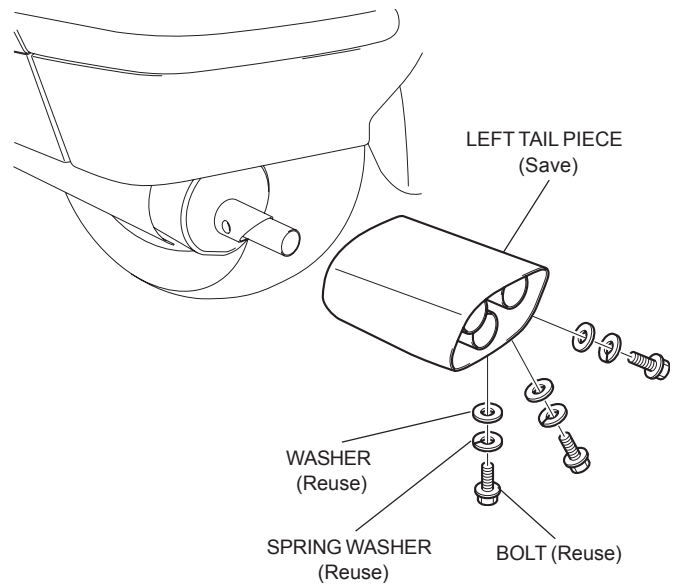
Refer to the Service Manual for the tightening torques of removed parts.

INSTALLATION

NOTE:

- To prevent burns, allow the engine and exhaust system to cool before installing the accessory.

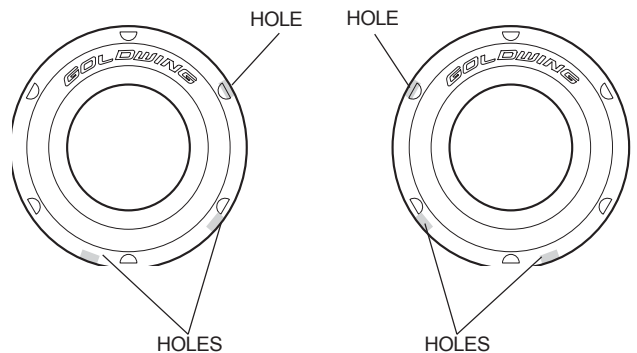
- Remove the left tail piece.



- Install the left chrome exhaust tip in the reverse order of removal.

Left exhaust tip

Right exhaust tip



- Repeat on the right side.