



INSTALLATION INSTRUCTIONS

Accessory

**FAIRING POUCH
P/N 08L56-MCA-100A**

Application

GL1800

Publications No.

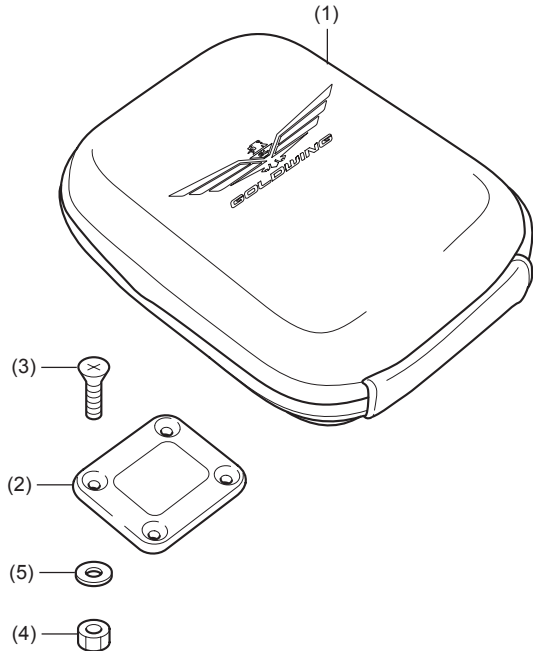
MII 11185

Issue Date

July 2005

Honda Dealer: Please give a copy of these instructions to your customer.

PARTS LIST



No.	Description	Qty
(1)	Fairing pouch	1
(2)	Fairing pouch base	1
(3)	4 mm screw	4
(4)	4 mm nut	4
(5)	Washer	4

TOOLS AND SUPPLIES REQUIRED

Electric drill motor
 Drill bit, 4.5 mm (#16)
 Phillips® screwdriver
 Electric tape
 Marker
 Ruler
 Isopropyl alcohol
 Shop towel

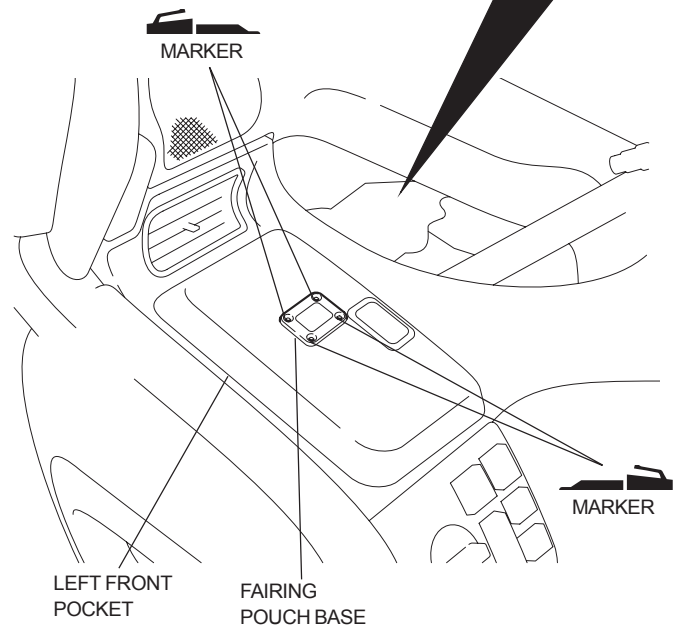
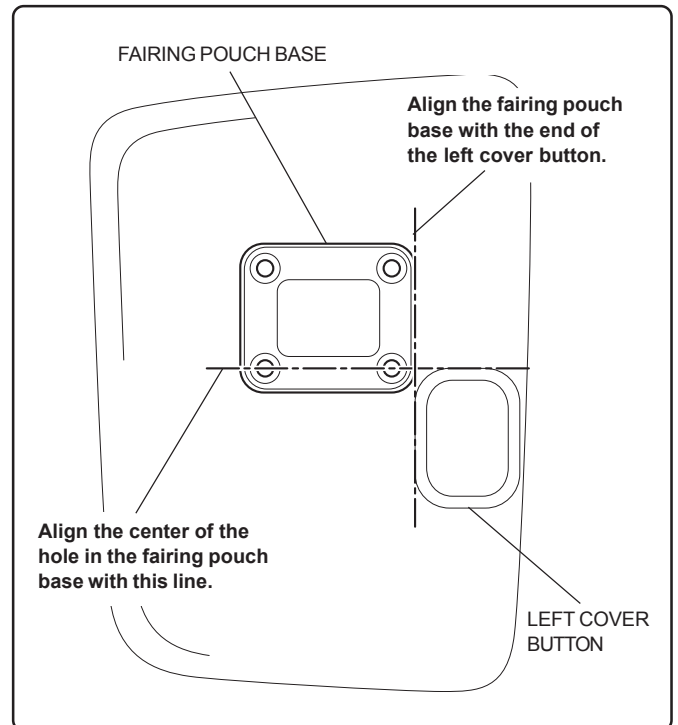
TORQUE CHART

Tighten all screws, bolts and nuts to their specified torques. Refer to the Service Manual for the tightening torques of removed parts.

Item	N·m	kgf·m	lbf·ft
4 mm screw	1	0.1	0.7

INSTALLATION

1. Position the fairing pouch base on the left front pocket to the dimension shown. Mark the front pocket through the fairing pouch base.

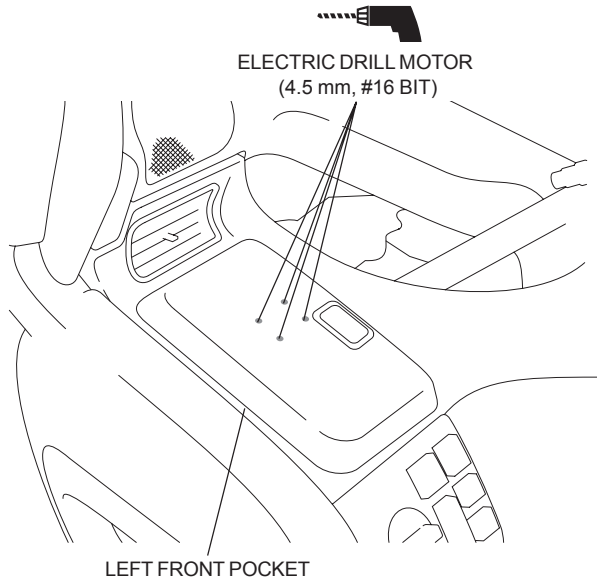


- Remove the fairing pouch base and drill at the marked points on the front pocket using an electric drill motor.
 - Remove any burrs from the edge of the hole.

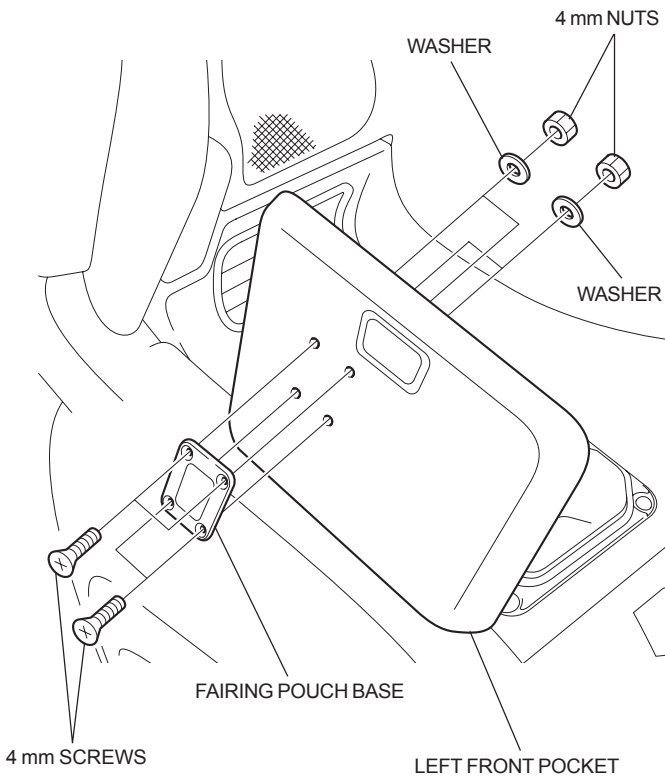
Wind the tape around the drill bit to serve as a depth gauge. Leave 10 mm (0.394 in) of the drill bit exposed. Stop drilling when the tape meets the surface of the pocket.

ELECTRICAL TAPE

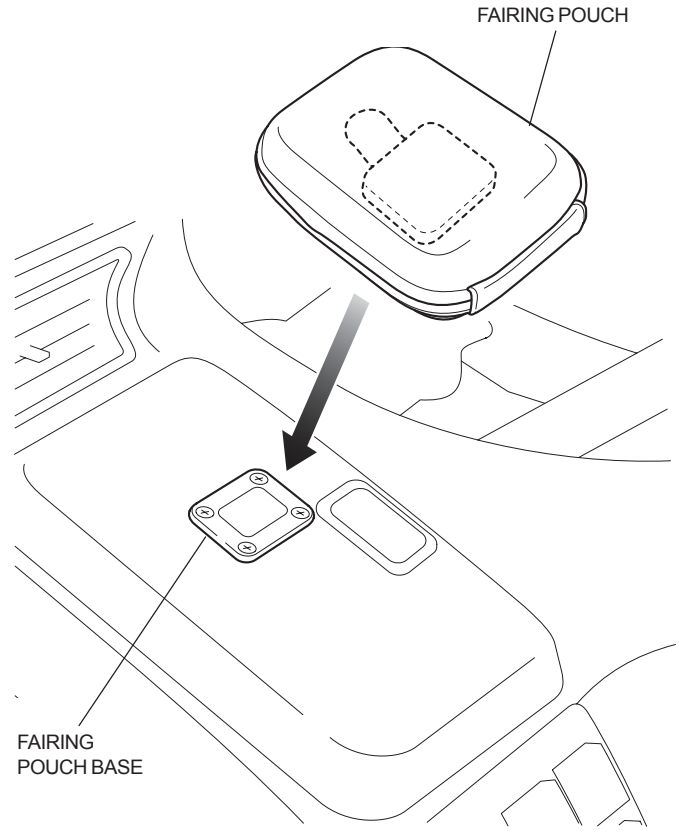
10 mm (0.394 in)



- Install the fairing pouch base as shown.



- Install the fairing pouch as shown.



How to Remove The Fairing Pouch

