



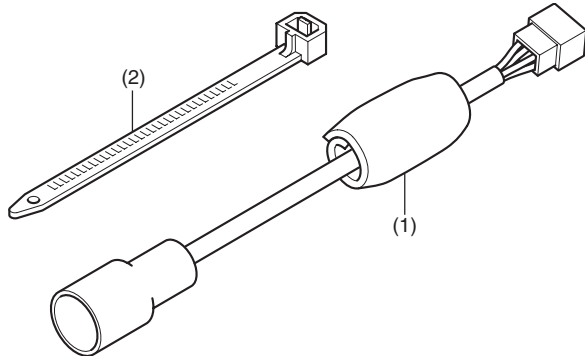
# INSTALLATION INSTRUCTIONS

Accessory  
**FERRITE CORE HARNESS KIT**  
 P/N 08E95-MCA-100WA

Application  
**2006 GL1800VIII A with**  
**CB Radio**

Publications No.  
**MII 11793**  
 Issue Date  
**November 2006**

## PARTS LIST



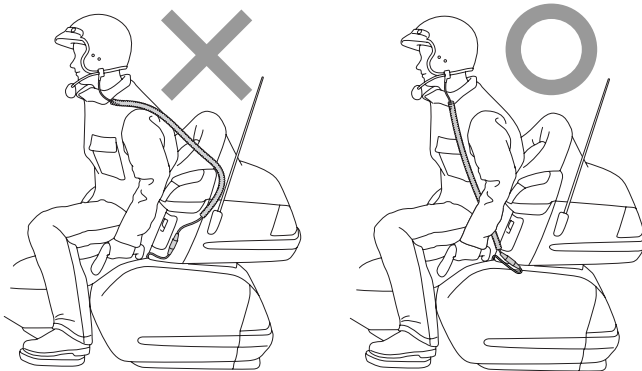
No.	Description	Qty
(1)	Ferrite core harness	2
(2)	Wire tie	1

## TOOL

Cutting pliers

## ROUTE THE PASSENGER HEADSET CORD PROPERLY

- Route the passenger headset cord as shown. If routed otherwise, problems such as interference may occur.

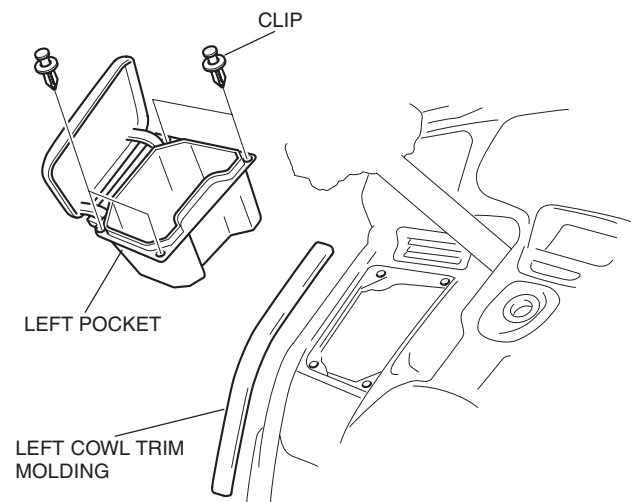
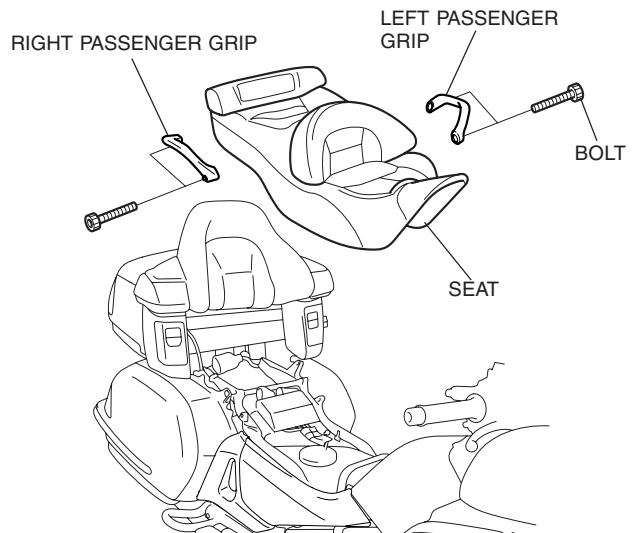


## INSTALLATION

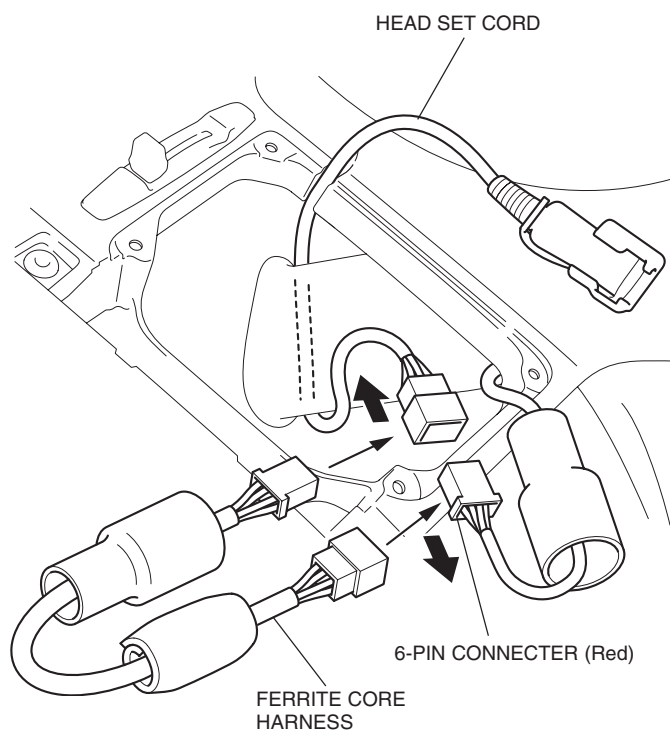
### NOTE:

- Disconnect the negative cable from the battery before installing this accessory.
- The memories of the tripmeter, clock, radio and suspension system will be erased when you disconnect the battery. Reset the memories after reconnecting the battery.
- Trim the excess ends off the wire ties after attaching them to the wire harnesses. Do not allow the cut part of the wire tie to interfere with another harness or brake hose.

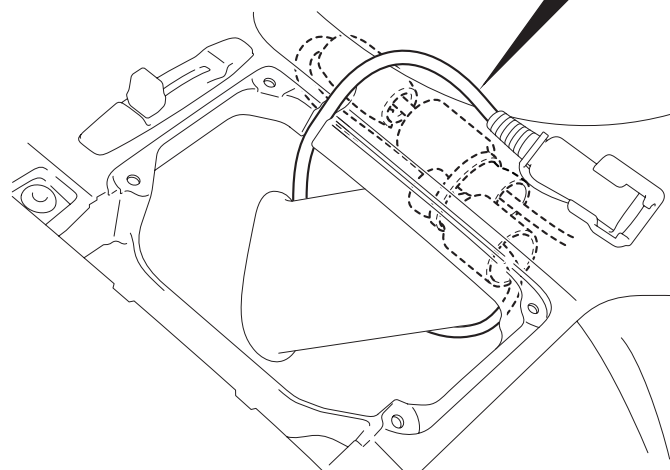
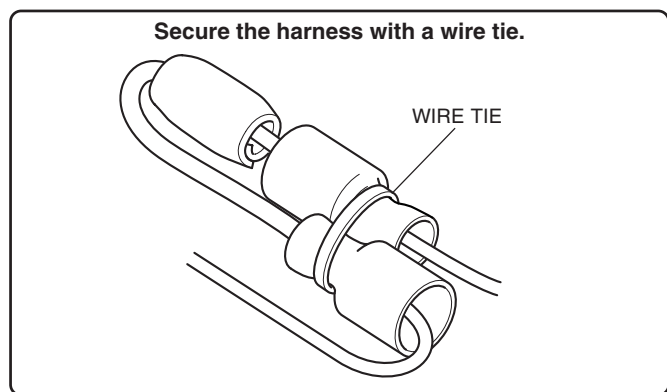
- Remove the parts from the motorcycle as described in the Service Manual.
  - For types with heated seat: Disconnect the connector.**



2. Connect the front ferrite core harness as shown.

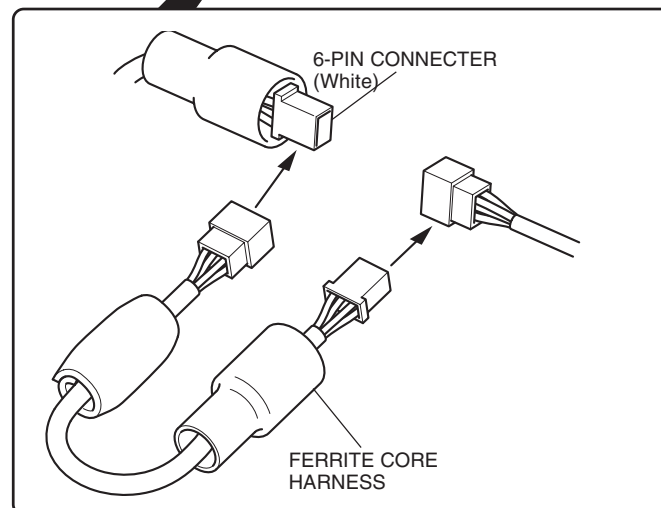
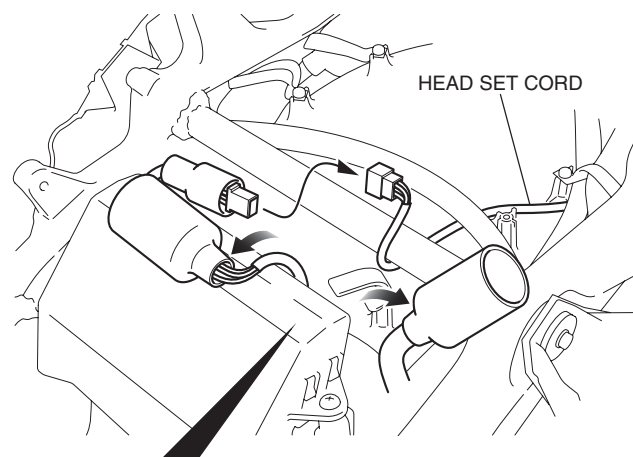


3. Put the bundled harness in the gap as shown.

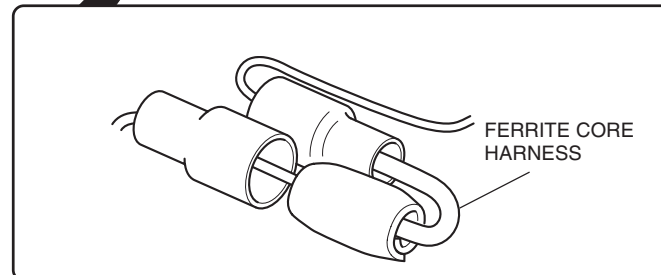
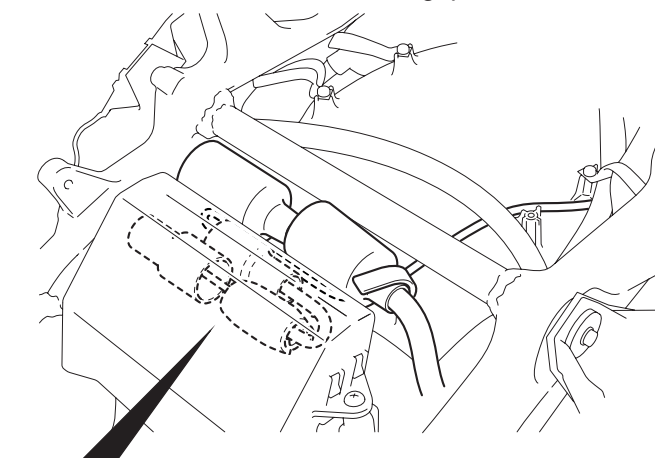


4. Install the left fairing pocket and cowl trim molding.

5. Connect the rear ferrite core harness as shown.



6. Put the bundled harness in the gap as shown.



7. Install the seat and passenger grips.