

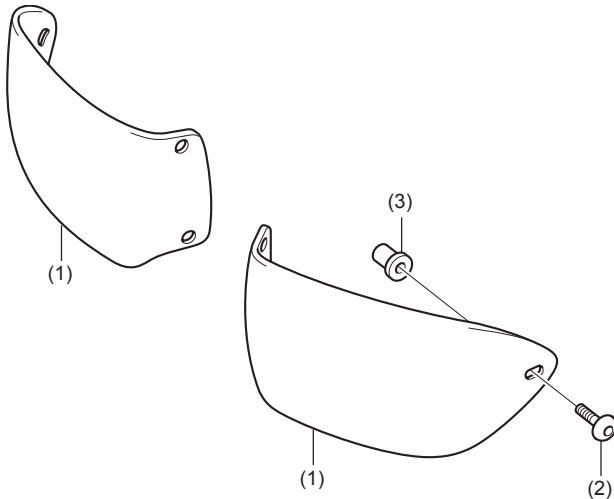


INSTALLATION INSTRUCTIONS

Accessory FOGLIGHT LENS PROTECTORS P/N 08V31-MCA-100B	Application GL1800	Publications No. MII 11185
		Issue Date July 2005

Honda Dealer: Please give a copy of these instructions to your customer.

PARTS LIST



No.	Description	Qty
(1)	Lens protector	2
(2)	6 mm screw	6
(3)	Well nut	6

TOOLS AND SUPPLIES REQUIRED

- Hex wrench (5 mm)
- Electric drill motor
- Drill bit, 12 mm (15/32 in)
- Drill bit, 5 mm (#10)
- Awl
- Marker
- Cardboard or Rubber 5 mm (3/16 in) thick
- Torque wrench

Customer Information: The information in this Accessory Installation Instruction is intended for use only by skilled technicians who have the proper tools, equipment, and training to correctly and safely add equipment to your motorcycle. These procedures should not be attempted by “do-it-yourselfers.”

TORQUE CHART

Tighten all screws, bolts and nuts to their specified torques. Refer to the Service Manual for the tightening torques of removed parts.

Item	Nm	kgf-m	lbf-ft
6 mm screw	9	0.9	6.5

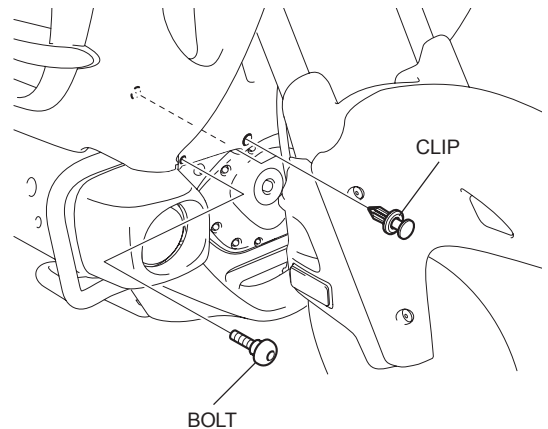
INSTALLATION

NOTE:

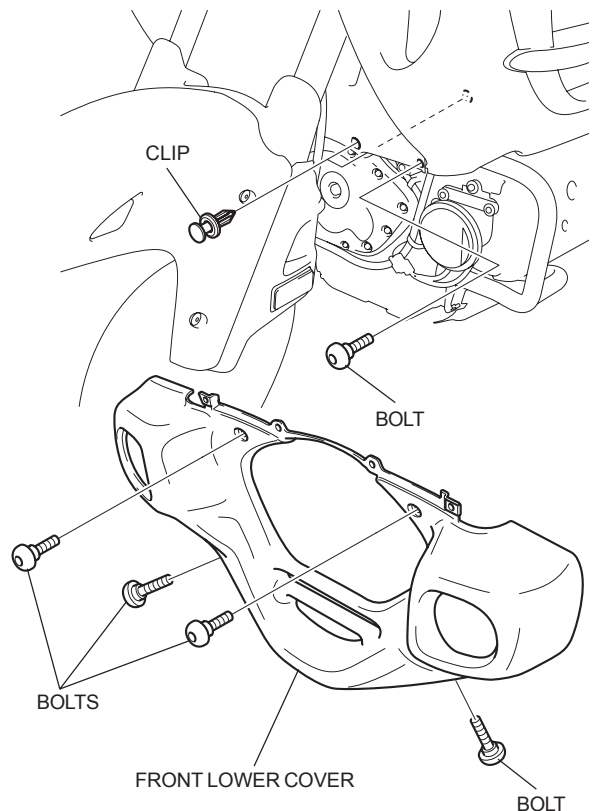
- To prevent burns, allow the engine to cool before installing the accessory.

- Remove the front lower cowl and bolts as described in the Service Manual.

Right



Left



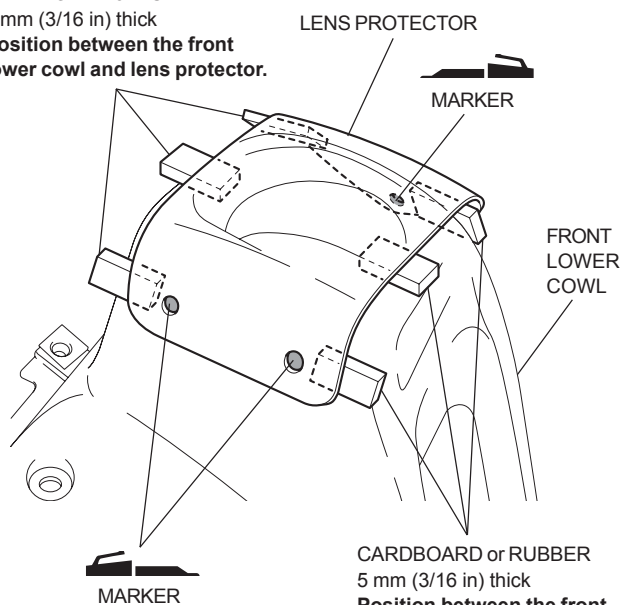
2. Position the lens protector over the front lower cowl and mark the lens protector as shown.

- **Mark on both the right and left sides.**

CARDBOARD or RUBBER

5 mm (3/16 in) thick

Position between the front lower cowl and lens protector.



3. Drill the front lower cowl as shown.

- **Drill on both the right and left sides.**
- **If the chrome type front lower cowl is applied, first drill 5 mm (3/16 in) holes in the front cowl, then enlarge the holes to 12 mm (15/32 in) O.D. with a hand reamer.**
- **Remove any burrs from the edge of the holes.**

Chrome type front lower cowl

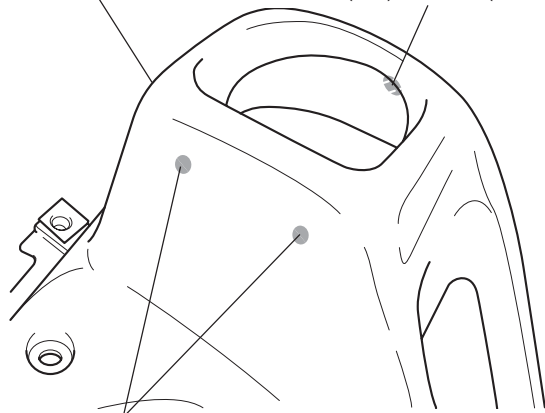
ELECTRIC DRILL MOTOR
5 mm (#10) BIT

+

HAND REAMER
Enlarge the holes to 12 mm
(15/32 in) O.D.

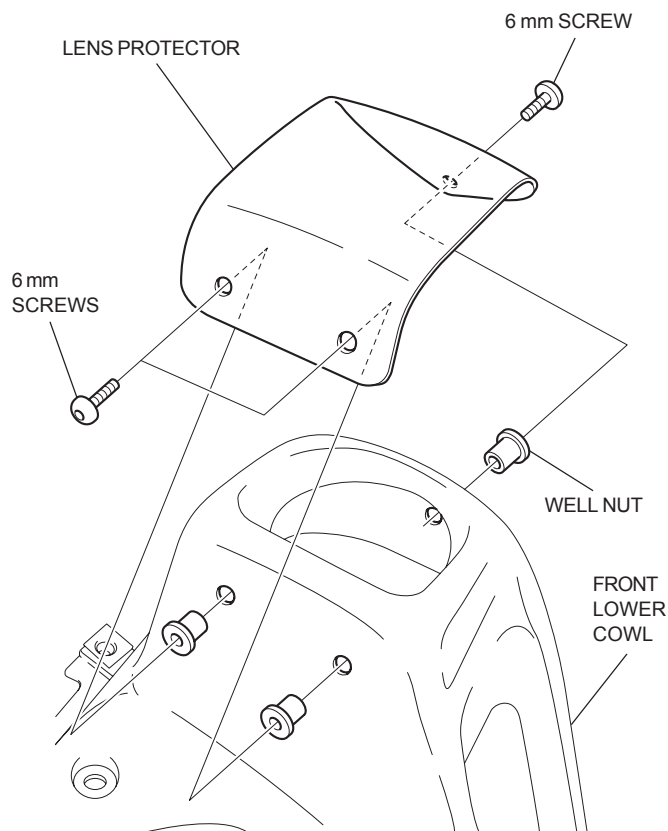
FRONT LOWER COWL

ELECTRIC DRILL MOTOR
5 mm (#10) or 12 mm (15/32 in) BIT

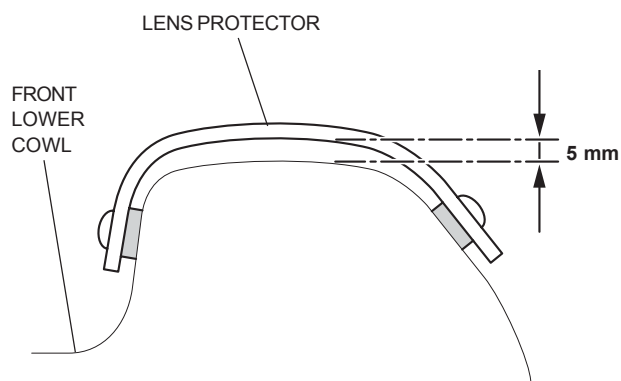


4. Install the lens protector on the front lower cowl as shown.

- **Install both the right and left lens protectors.**



Side View



5. Install the front lower cowl in the reverse order of removal.