

INSTALLATION INSTRUCTIONS

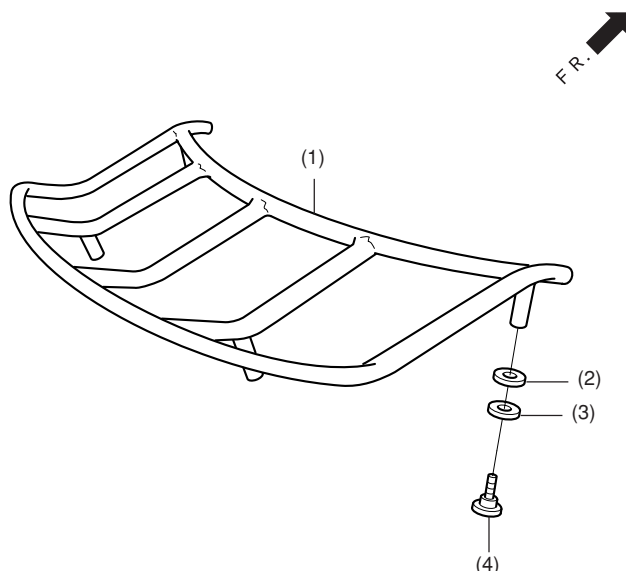
Accessory
CHROME TRUNK RACK
 P/N 08L42-MCA-100

Application
GL1800

Publications No.
 Issue Date
December 2000

Honda Dealer: Please give a copy of this instruction to your customer.

PARTS LIST



No.	Description	Q'ty
(1)	Trunk rack	1
(2)	Washer	4
(3)	Rubber washer	4
(4)	6 mm Socket bolt	4

TOOLS REQUIRED

- Hex wrench (5 mm)
- Electric drill motor
- Drill bit (3 mm, 6 mm, and 10.5 mm)
- Awl
- Torque wrench

Customer Information: The information in this Accessory Installation Instruction is intended for use only by skilled technicians who have the proper tools, equipment and training to correctly and safely add equipment to your motorcycle. These procedures should not be attempted by "do-it-yourselfers."

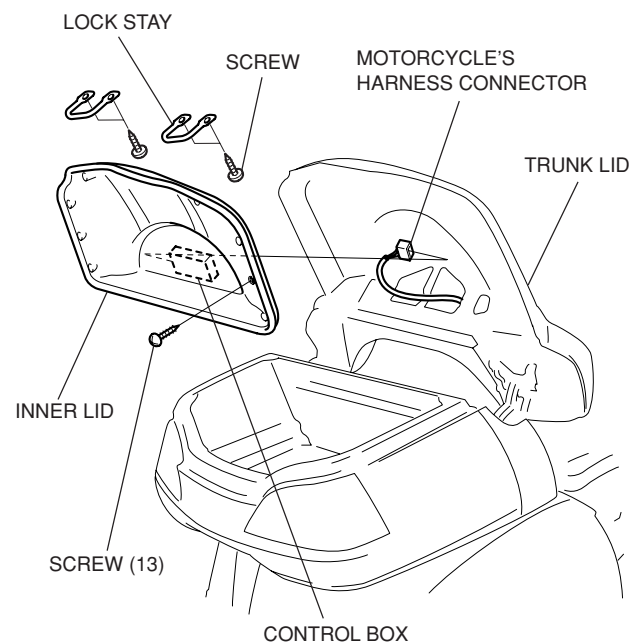
TORQUE CHART

Be sure to tighten all bolts to their specified torque.

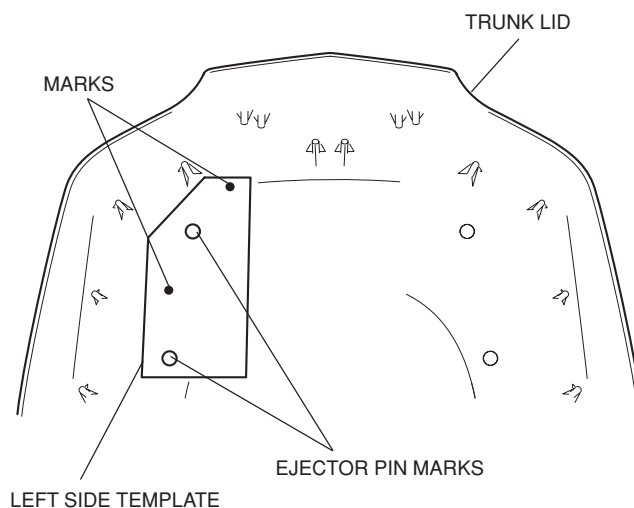
Item	N·m	kgf·m	lbf·ft
6mm Socket bolt	12	1.2	9

INSTALLATION

- Open the trunk lid and remove the inner lid.

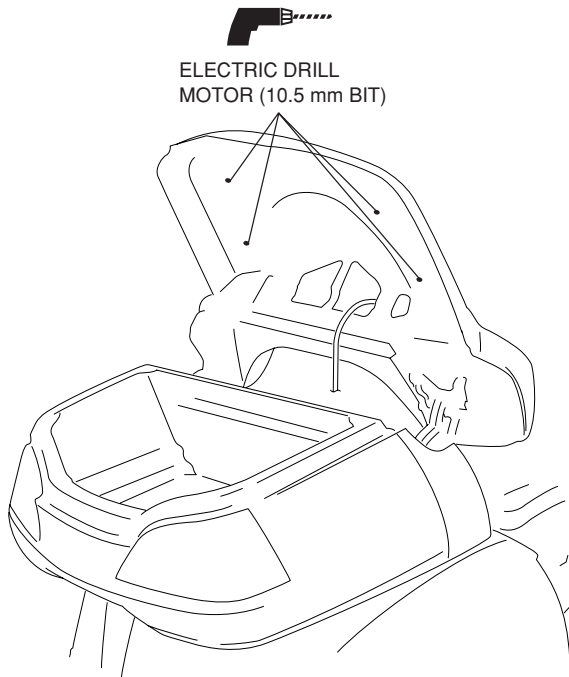


- Position the template under the trunk lid by using the two ejector pin marks as the guide, mark the center of the two dots on the template with an awl.

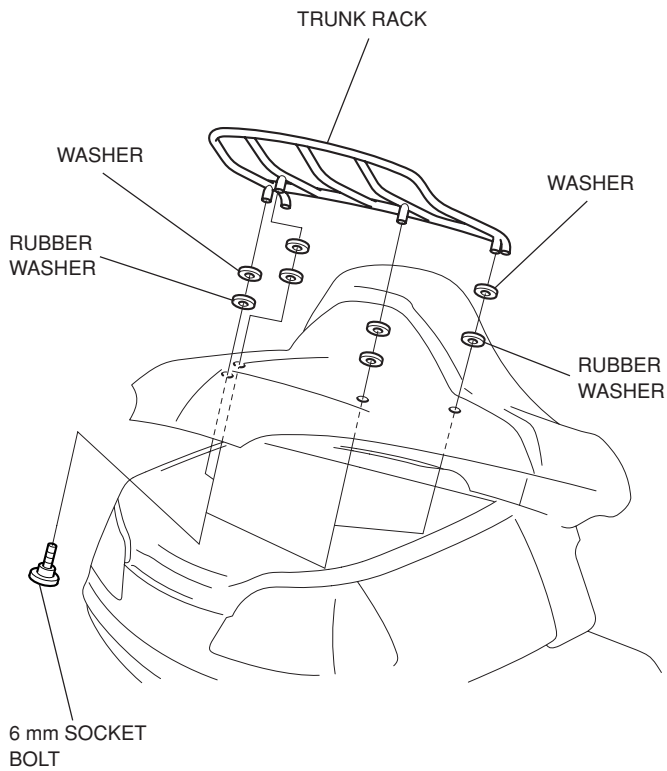


- Repeat on the right side.

3. Drill a hole through each mark using an electric drill motor starting with a 3 mm, 6 mm and finishing with a 10.5 mm drill bit.



4. Install the trunk rack as described.



5. Reinstall the inner lid and lock stays in the reverse order of removal.

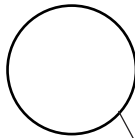
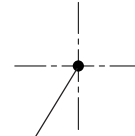
TEMPLATE

Cut out the template and use them to mark the drilling locations.



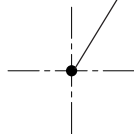
SCISSORS
CUT LINE

Mark with awl.
Drill 10.5 mm hole



SCISSORS
CUT LINE

Mark with awl.
Drill 10.5 mm hole



TEMPLATE

•Turn the pattern over to mark the right side holes.



SCISSORS
CUT LINE

