



INSTALLATION INSTRUCTIONS

Accessory

CHROME TRUNK RAIL
P/N 08P53-MCA-100

Application

GL1800

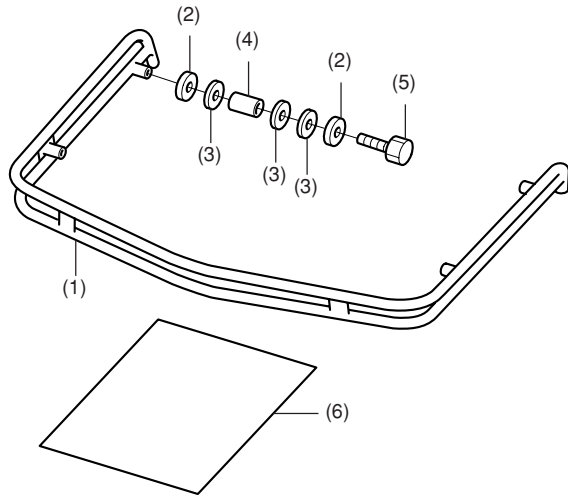
Publications No.

Issue Date

July 2001

Honda Dealer: Please give a copy of this instruction to your customer.

PARTS LIST



No.	Description	Q'ty
(1)	Chrome trunk rail	1
(2)	Washer	8
(3)	Rubber	12
(4)	Collar	4
(5)	6 mm Bolt	4
(6)	Template	1

TOOLS REQUIRED

Socket (8 mm)
Ratchet
Electric drill motor
Drill bit (3 mm, 6 mm and 9 mm)
Awl
Torque wrench

Customer Information: The information in this Accessory Installation Instruction is intended for use only by skilled technicians who have the proper tools, equipment, and training to correctly and safely add equipment to your motorcycle. These procedures should not be attempted by "do-it-yourselfers."

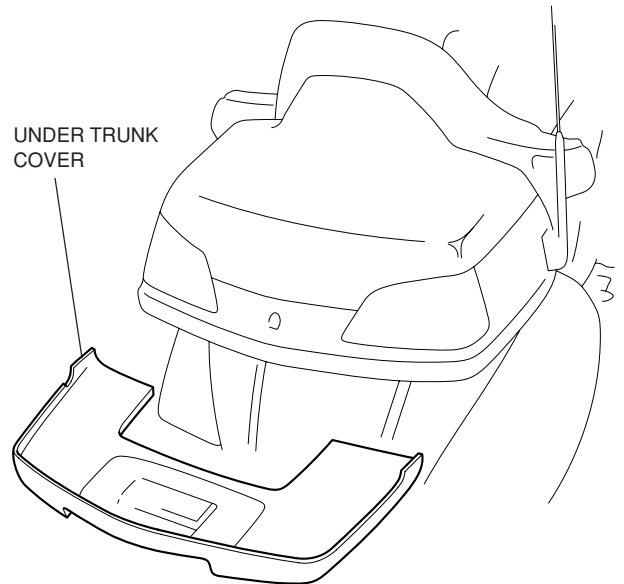
TORQUE CHART

Be sure to tighten all bolts and nuts to their specified torque.

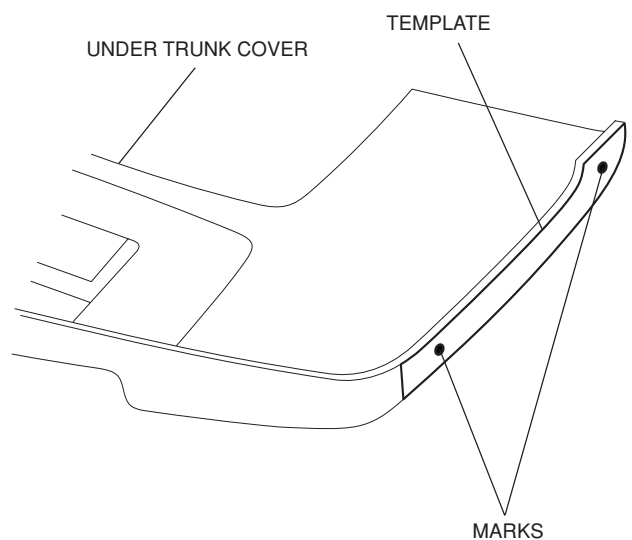
Item	N·m	kgf·m	lbf·ft
6mm Bolt	10	1.0	7

INSTALLATION

1. Remove the under trunk cover as described in the Service Manual.

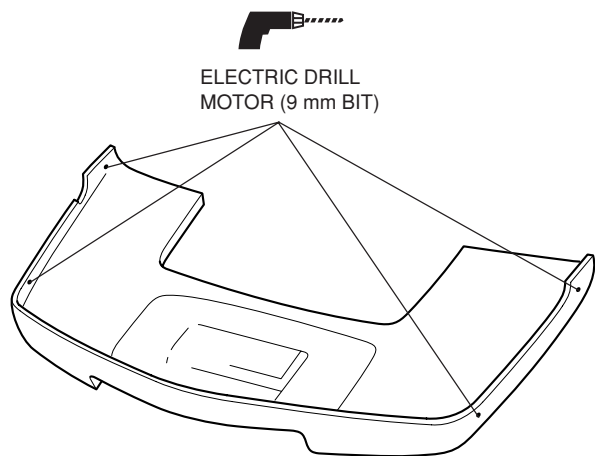


2. Position the template on the **outside** of the under trunk cover as shown. Mark the center of the two dots on the template with an awl. Remove the template.

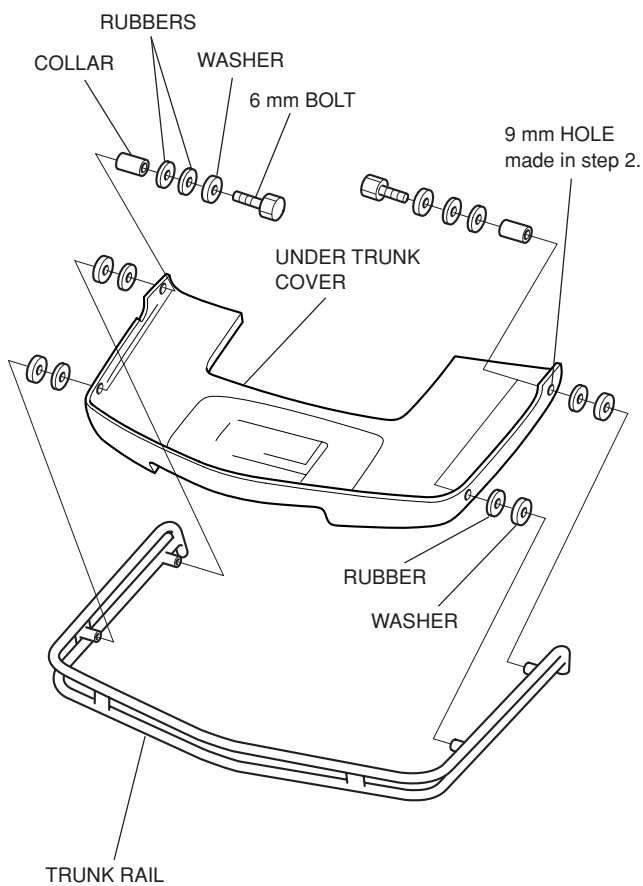


3. Repeat on the other side.

4. Drill a hole through each mark using an electric drill motor starting with 3 mm, 6 mm and finishing with a 9 mm drill bit.



5. Install the trunk rail on the under trunk cover as shown.



6. Reinstall the under trunk cover in the reverse order of removal.