

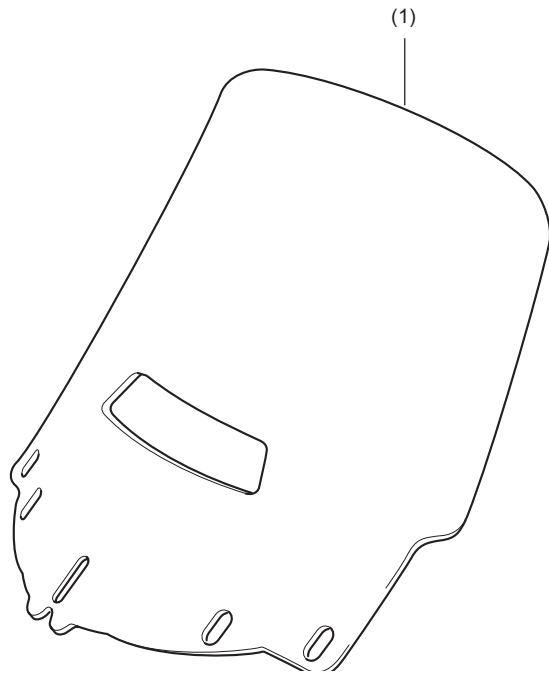


# INSTALLATION INSTRUCTIONS

Accessory <b>WINDSHIELD (TALL-VENTED) P/N 08R80-MCA-100J</b>	Application <b>GL1800</b>	Publications No. <b>MII 11185</b>
		Issue Date <b>July 2005</b>

**Honda Dealer: Please give a copy of these instructions to your customer.**

## PARTS LIST



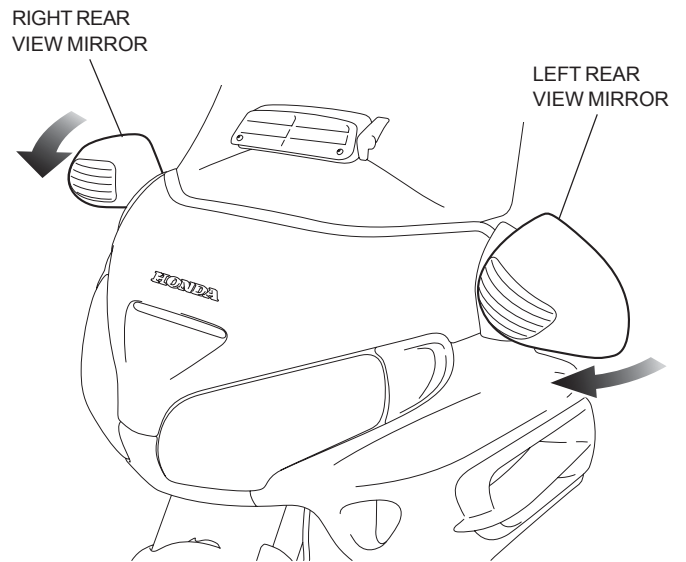
No.	Description	Qty
(1)	WINDSHIELD	1

## USE AND CARE INFORMATION

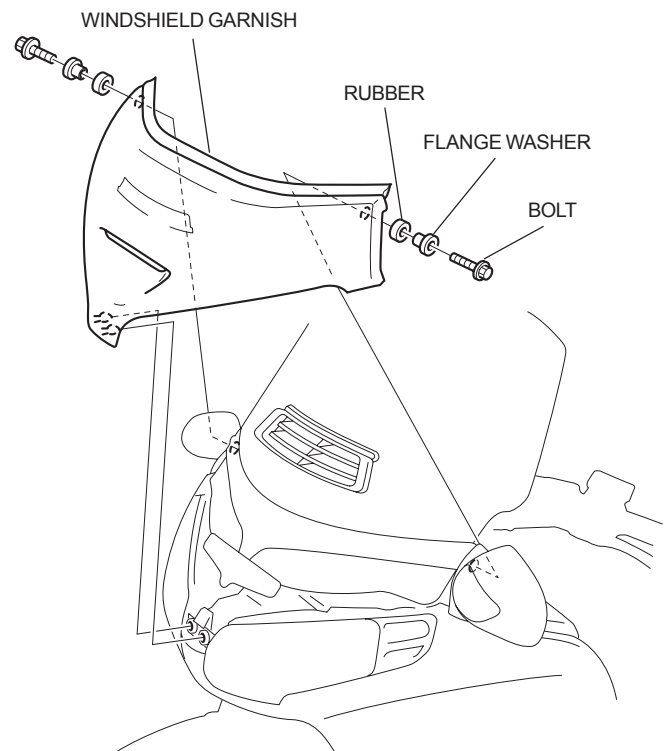
- When this accessory is dirty, rinse it thoroughly with cool water to remove loose dirt, then wipe with a clean cloth or sponge. Do not use a brush to clean this accessory as it may scratch the surface.
- Never use petroleum solvents such as gasoline, thinner or benzine to clean the accessory. Also do not use acid or alkaline cleaners. Wipe up spilled brake or battery fluid at once as they will damage the plastic surface.
- If the motorcycle is left covered for an extended period of time, park in the shade. Parking a covered motorcycle in direct sunlight can cause the accessory to deform due to heat buildup under the cover.
- Check the accessory mounts frequently and retighten if necessary.

## INSTALLATION

1. Fold down the right and left rear view mirrors forward as shown.

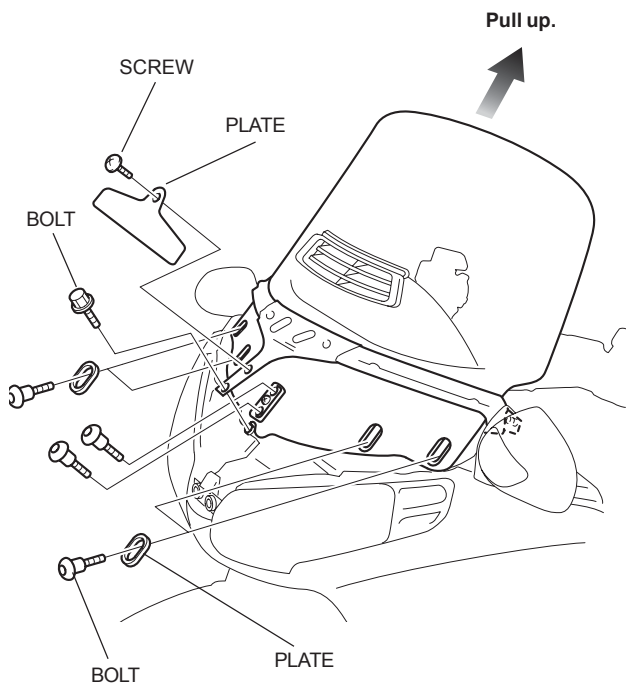


3. Remove the windshield garnish.

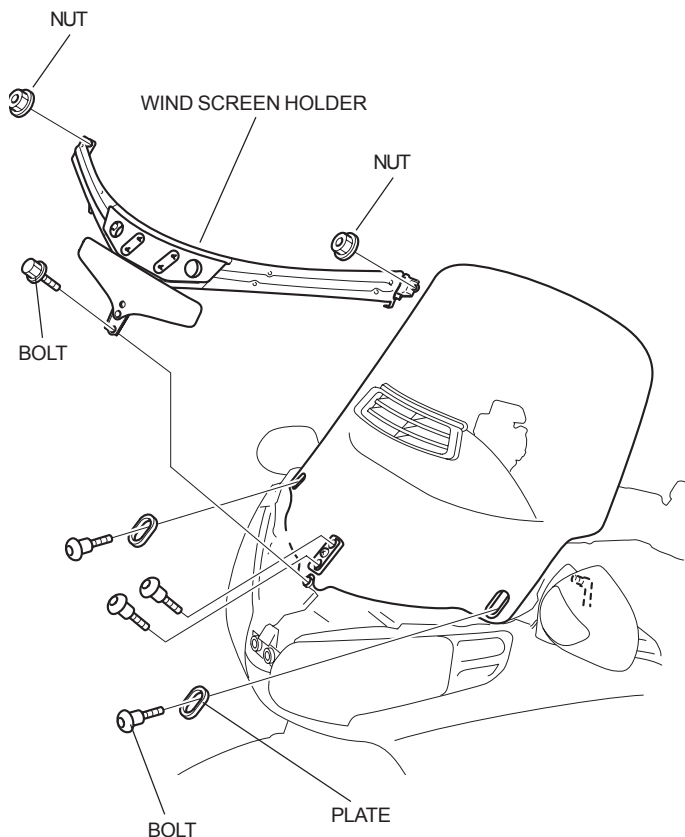


- Remove the bolts and screws and remove the original screen by pulling it upward in the direction shown.

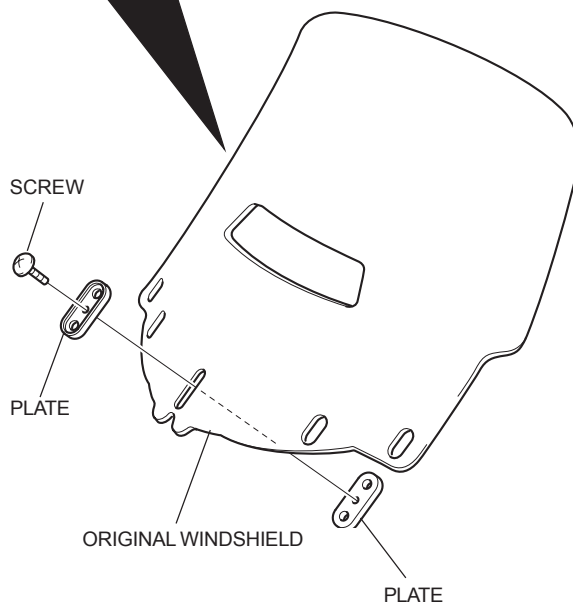
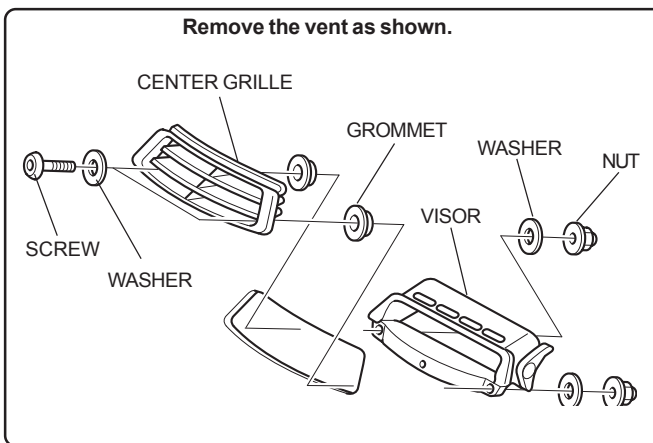
- Up to '05 model year -



- After '05 model year -

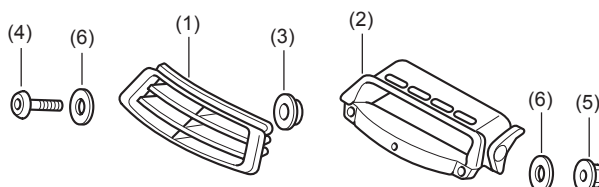


- Remove the parts from the original windshield.



- Install the windshield from the kit in the reverse order of removal.
- Reinstall the windshield garnish.

### VENT PARTS LIST (not included in this kit)



No.	P/N	No.	P/N
(1)	64150-MCA-A20	(4)	90118-MBB-000
(2)	64170-MCA-A20	(5)	90167-SA0-980
(3)	64205-MCA-A20	(6)	90504-964-000