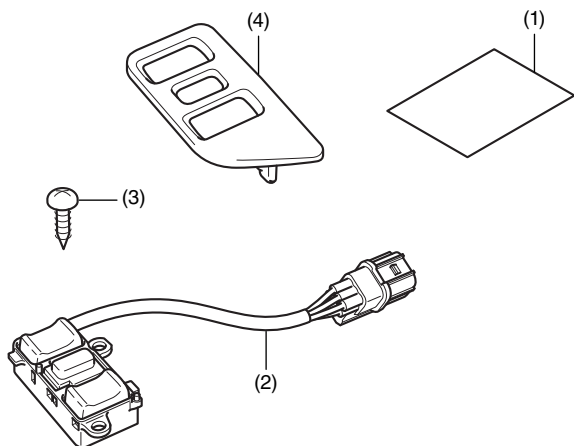


Honda Dealer: Please give a copy of these instructions to your customer.

PARTS LIST



No.	Description	Qty
(1)	Installation Instructions URL	1
(2)	Passenger audio switch	1
(3)	4 mm screw	2
(4)	Right switch cover	1

TOOLS REQUIRED

Phillips screwdriver
Torque wrench

TORQUE CHART

Tighten all screws, bolts, and nuts to their specified torque values. Refer to the Service Manual for the torque values of the removed parts.

Item	N·m	kgf·m	lbf·ft
4 mm screw	1	0.1	0.7

INSTALLATION

⚠ CAUTION

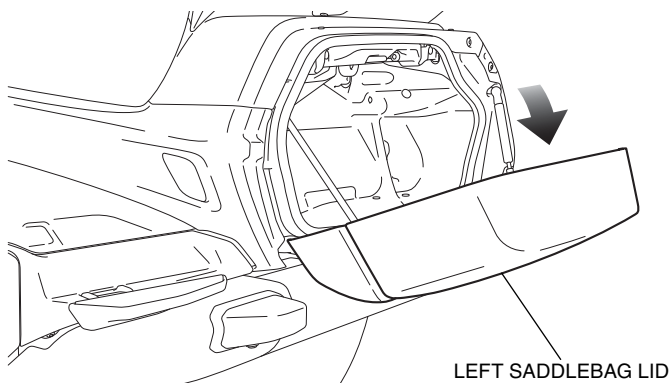
- To prevent burns, allow the engine, exhaust system, radiator, etc., to cool before installing the accessory.

NOTE:

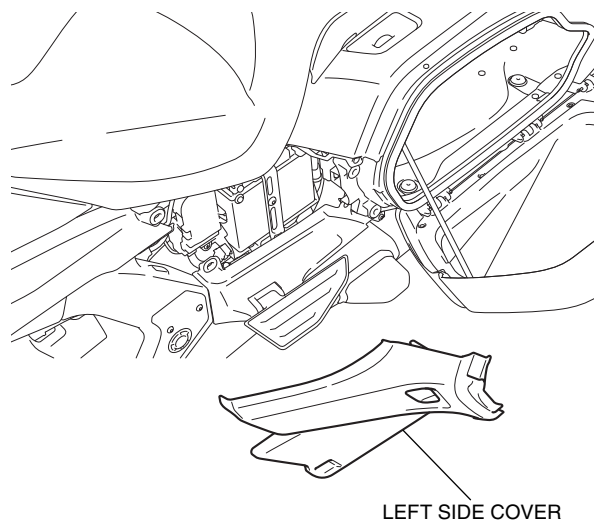
- Disconnect the negative (-) cable from the battery before installing this accessory.
- The clock memory will be erased when you disconnect the battery. Reset the clock after reconnecting the battery.
- Reinstall the removed parts on the motorcycle and make sure that the wires and harnesses are not pinched.

- Open the left saddlebag lid as shown.
 - Repeat on the right side.

<Left side>



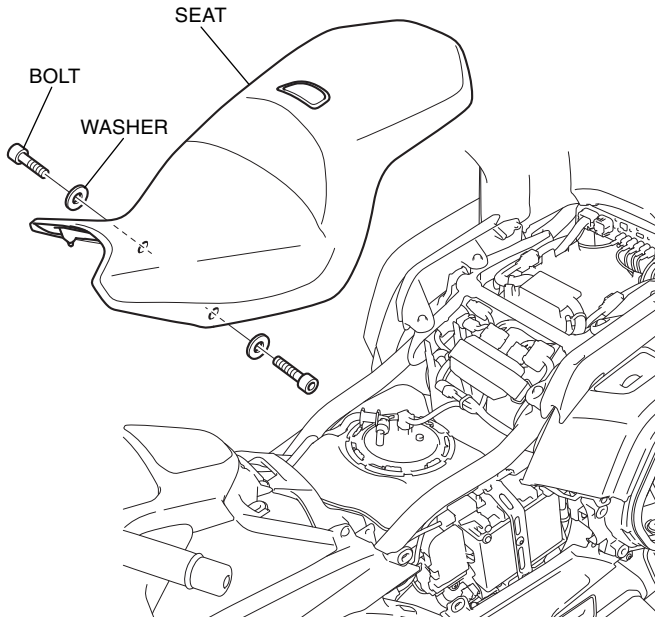
- Remove the left side cover as shown, and disconnect the negative (-) cable from the battery.



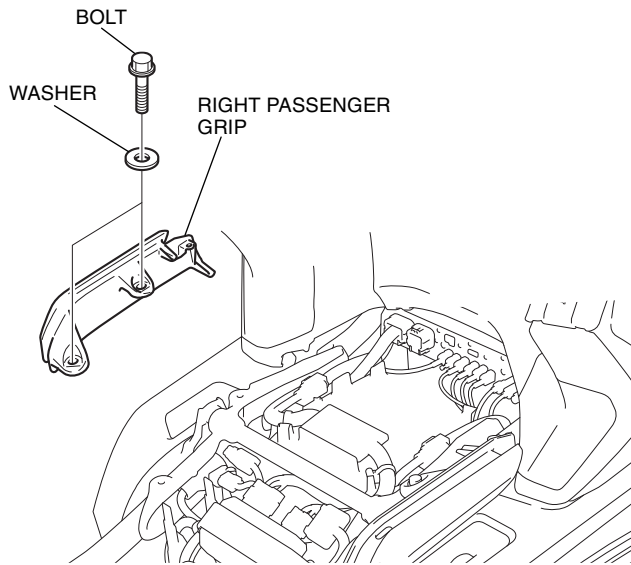
- Remove the right side cover in the same manner as the left side.

4. Remove the seat as shown.

- **Disconnect the connector for GL1800/D/DA.**

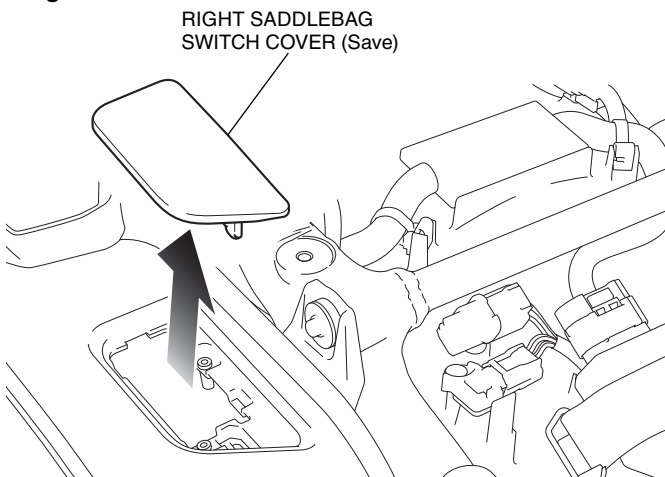


5. Remove the right passenger grip as shown.

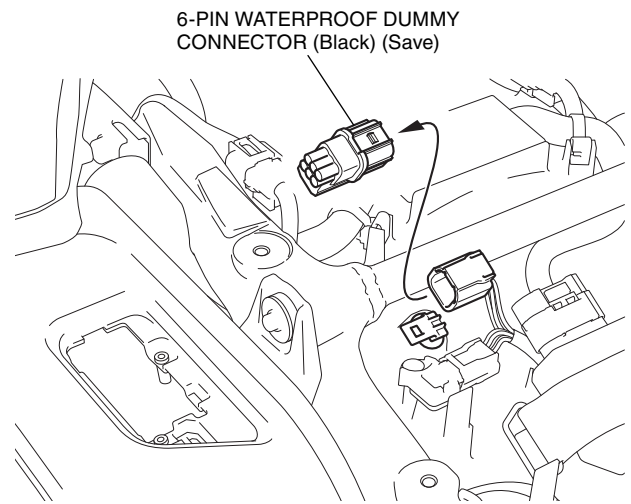


6. Remove the right saddlebag switch cover as shown.

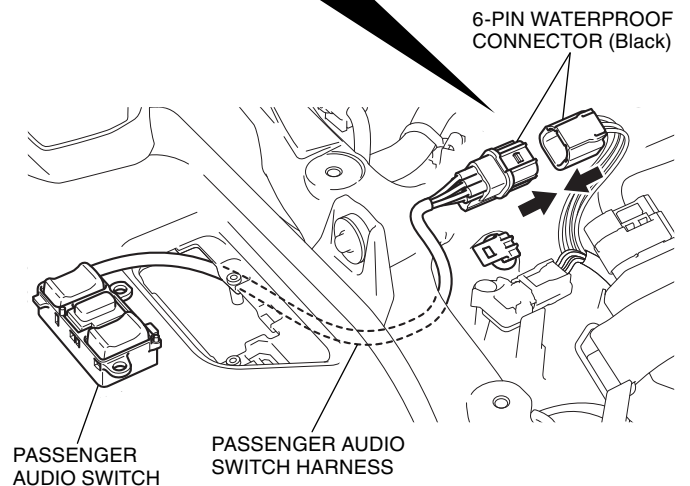
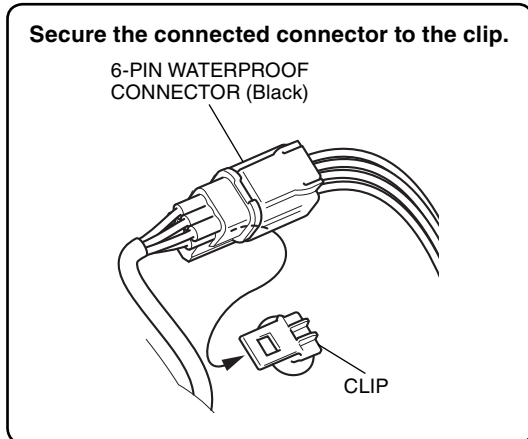
<Right side>



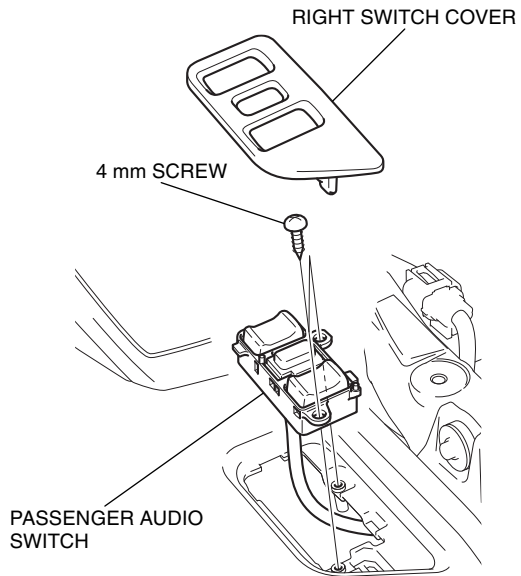
7. Remove the dummy connector as shown.



8. Route and connect the passenger audio switch harness through the right saddlebag as shown.



9. Install the passenger audio switch and right switch cover onto the right saddlebag as shown.



10. Install the motorcycle's parts in the reverse order of removal.
- **Confirm that any wire harness is not caught or too tight.**
11. Check the passenger audio switch, headlight and the other lights for proper operation.