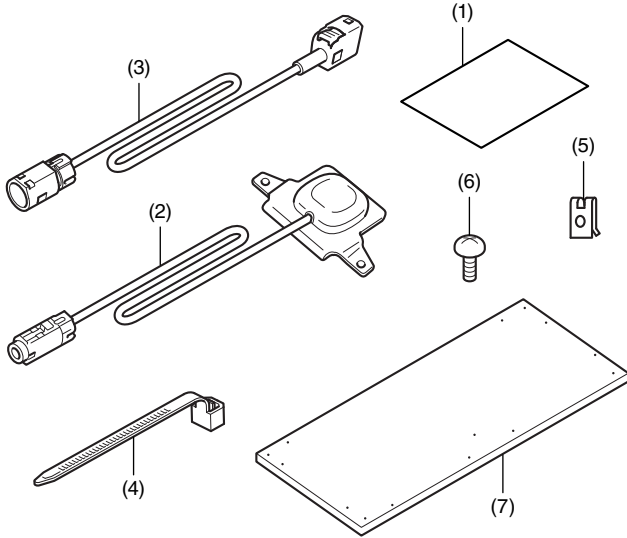


Accessory	Application	Publication No.
XM ANTENNA P/N 08A86-MKC-A00	GL1800/D/DA GL1800B/BD	MII 16426
		Issue Date
		January 2018

Honda Dealer: Please give a copy of these instructions to your customer.

PARTS LIST



No.	Description	Qty
(1)	Installation Instructions URL	1
(2)	XM radio antenna	1
(3)	XM radio sub cord	1
(4)	Wire tie	12
(5)	Clip nut	2
(6)	5 mm screw	2
(7)	Cushion	1

TOOLS AND SUPPLIES REQUIRED

- Phillips screwdriver
- Scissors
- Ruler
- Snips
- Shop towel
- Isopropyl alcohol
- Torque wrench

TORQUE CHART

Tighten all screws, bolts, and nuts to their specified torque values. Refer to the Service Manual for the torque values of the removed parts.

Item	N·m	kgf·m	lbf·ft
5 mm screw	4.2	0.4	3.1

INSTALLATION

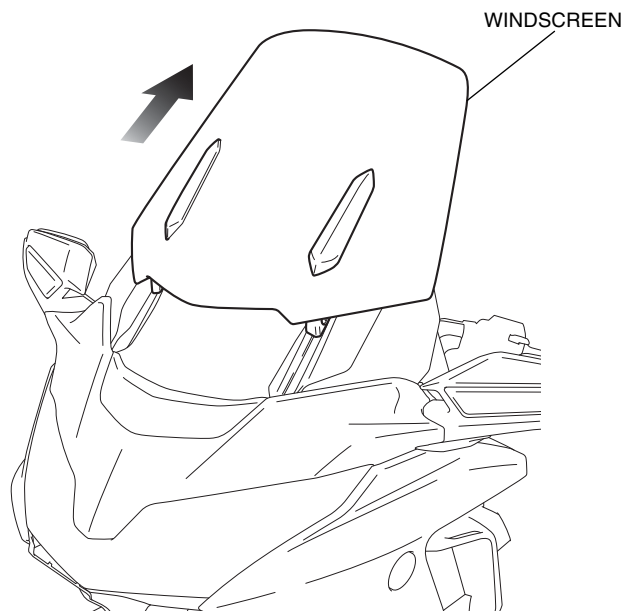
▲ CAUTION

- To prevent burns, allow the engine, exhaust system, radiator, etc., to cool before installing the accessory.

NOTE:

- Heat the bonding surfaces with a hair dryer if the ambient air temperature is below 70°F (21°C).
- The adhesive reaches full strength in 72 hours. Wait at least 24 hours before riding your motorcycle.
- Disconnect the negative (-) cable from the battery before installing this accessory.
- The memory of the clock will be erased when you disconnect the battery. Reset the clock after reconnecting the battery.
- Reinstall the removed parts on the motorcycle and make sure that the wires and harnesses are not pinched.
- Trim the excess ends off the wire ties after attaching them to the wire harnesses. Do not allow the cut part of the wire tie to interfere with another harness or brake hose.

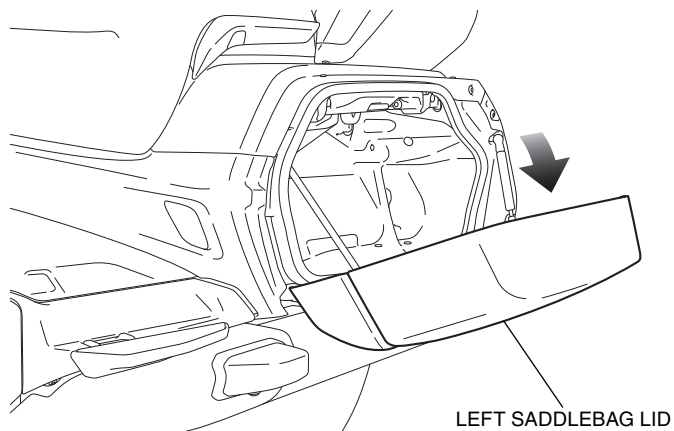
- Slide up the windscreen fully as shown.
 - The windscreen position is fixed when turning the SCREEN UP/DOWN switch UP while turning the ignition switch OFF.**



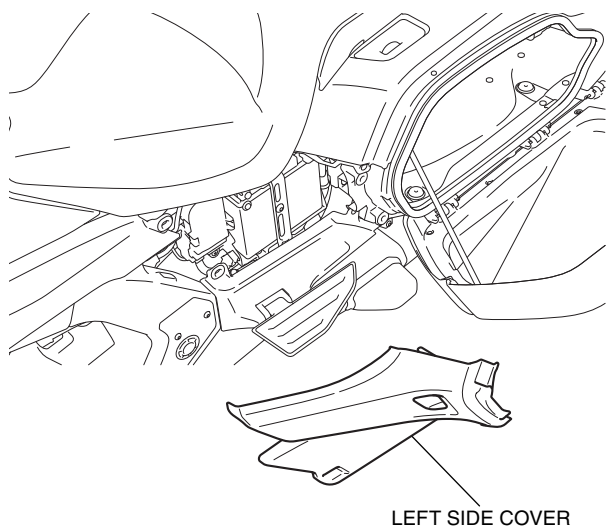
2. Open the left saddlebag lid as shown.

- Repeat on the right side.

<Left side>



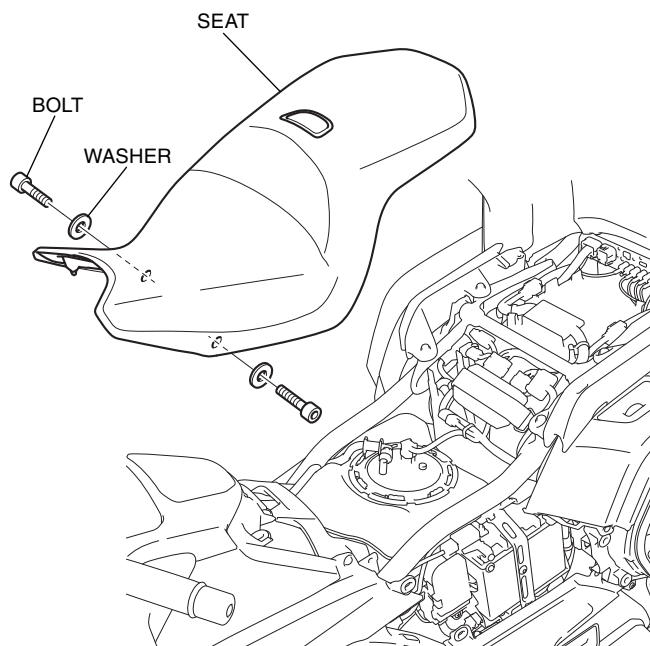
3. Remove the left side cover as shown, and disconnect the battery negative (-) cable.



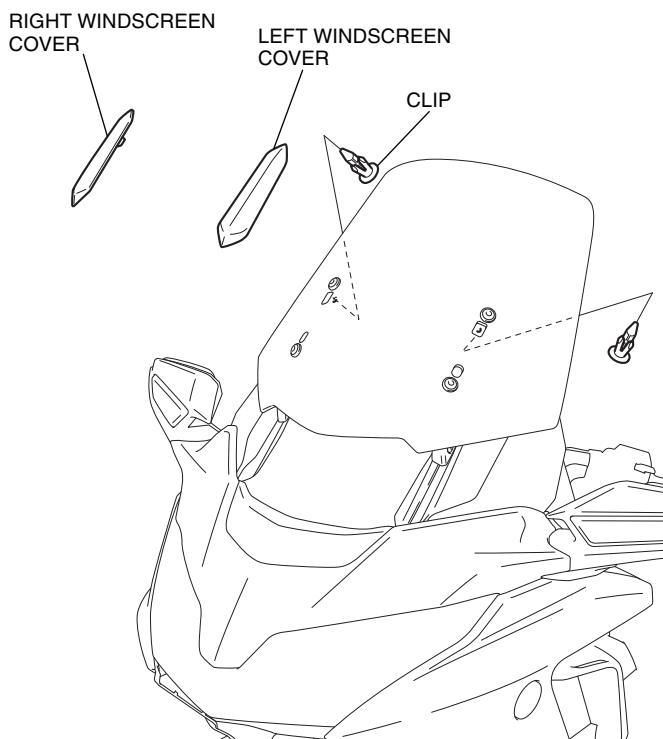
4. Remove the right side cover in the same manner as the left side.

5. Remove the seat as shown.

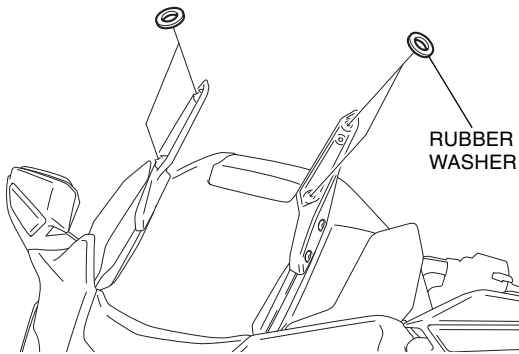
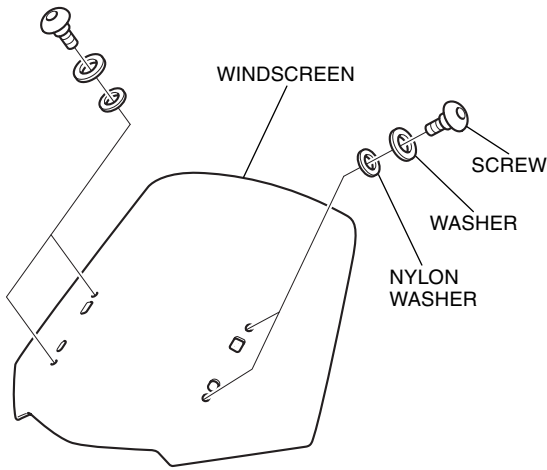
- Disconnect the connector for GL1800/D/DA.



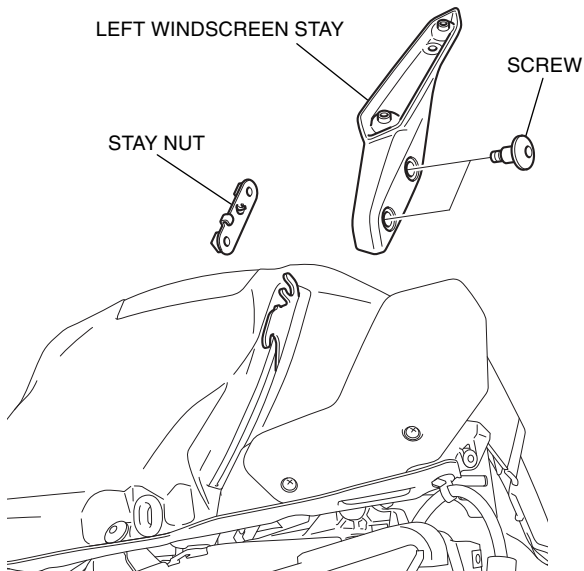
6. Remove the right and left windscreen covers as shown.



7. Remove the windscreen as shown.

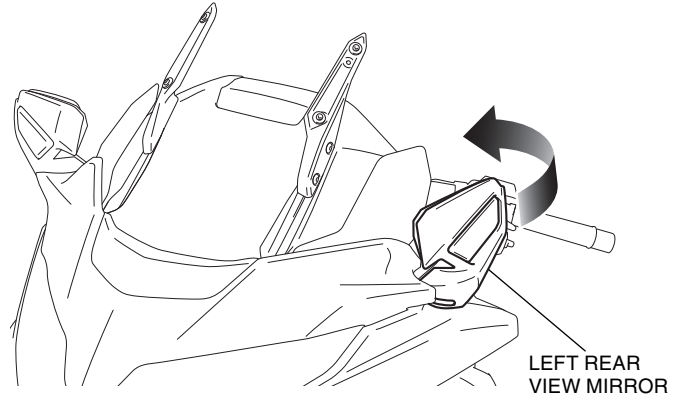


8. Remove the left and right windscreen stays as shown.
<Left side shown>



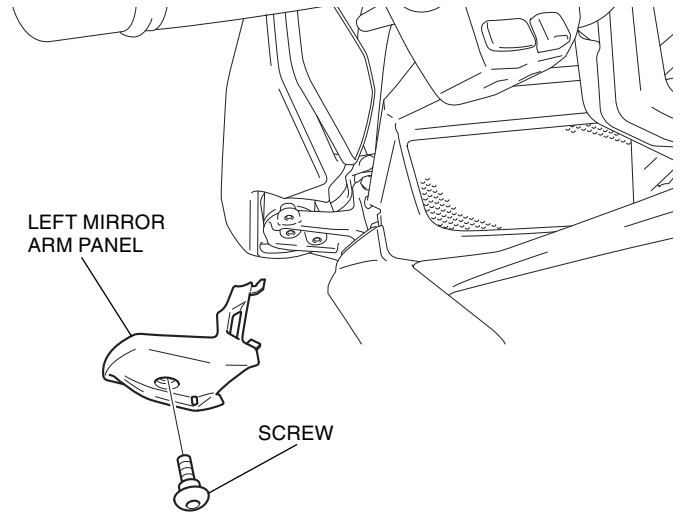
9. Fold down the left rear view mirror backward as shown.

- Repeat on the right side.



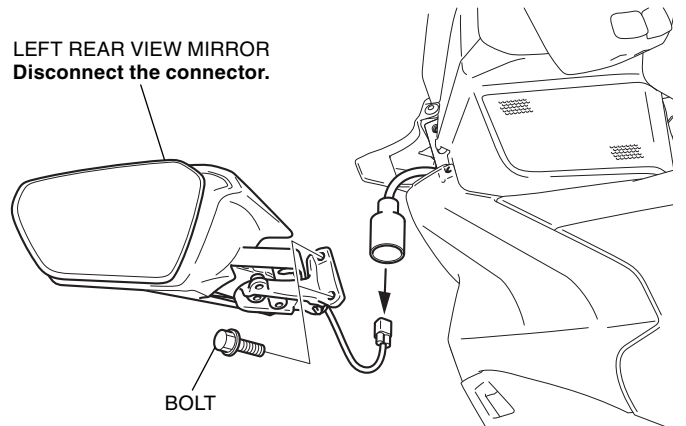
10. Remove the left mirror arm panel as shown.

<Left side>



11. Remove the left rear view mirror as shown.

LEFT REAR VIEW MIRROR
Disconnect the connector.

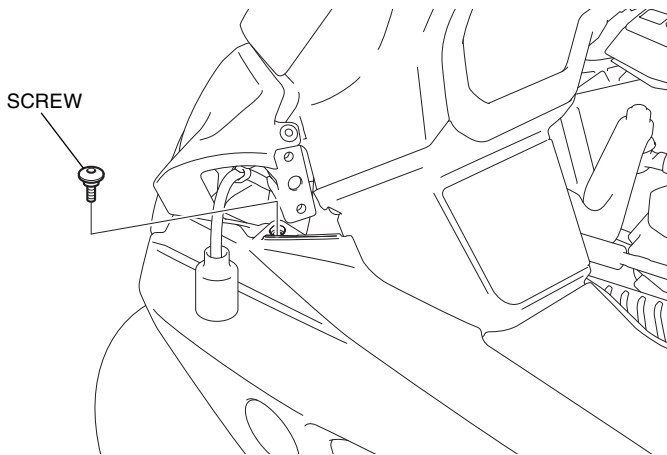


12. Repeat Steps 10 and 11 on the right side in the same manner as the left side.

13. Remove the screw as shown.

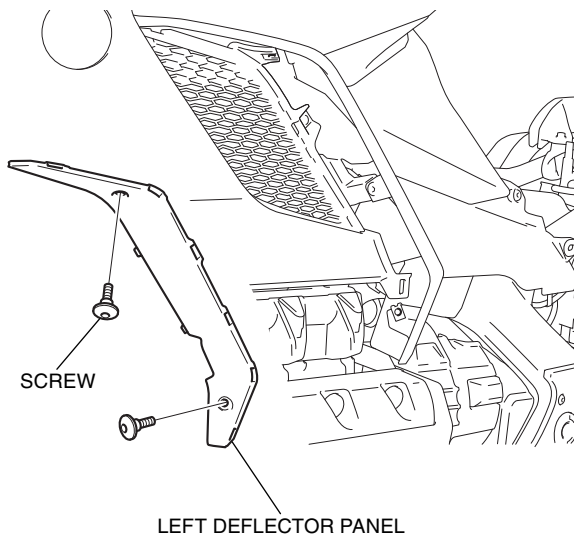
- Repeat on the right side.

<Left side>

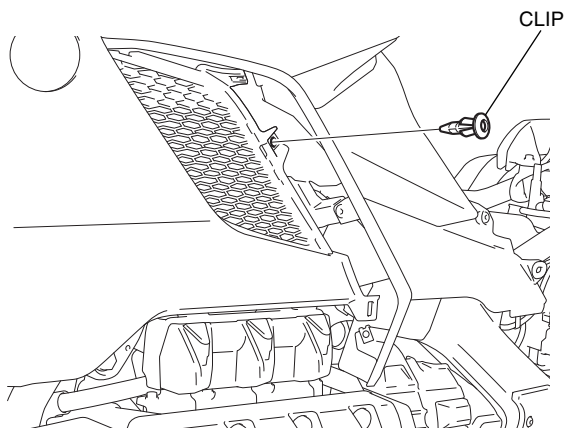


14. Remove the left deflector panel as shown.

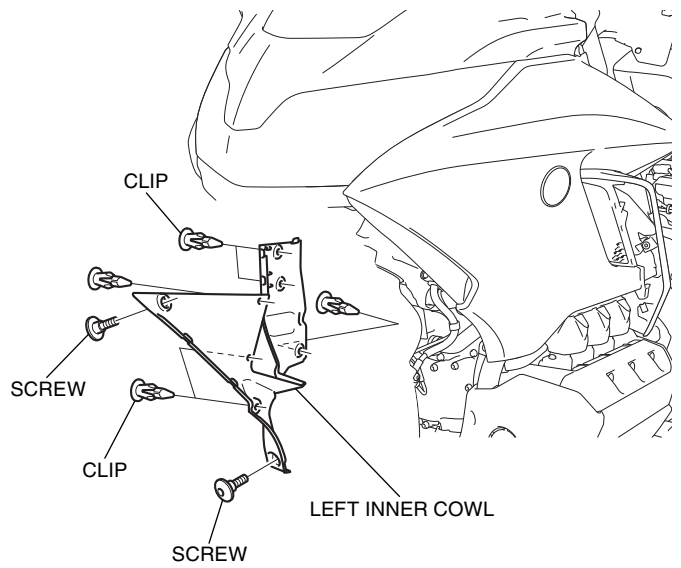
<Left side>



15. Remove the clip as shown.

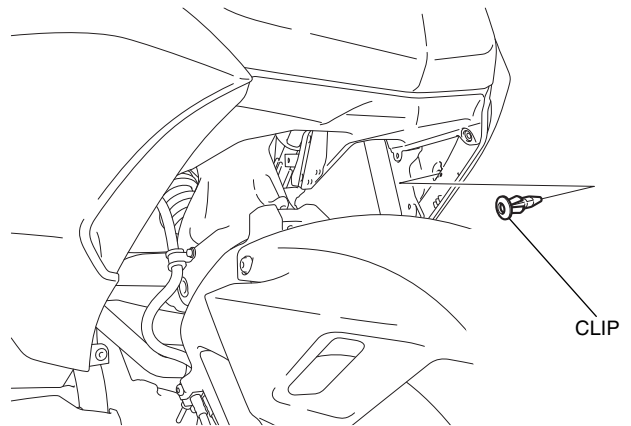


16. Remove the left inner cowl as shown.



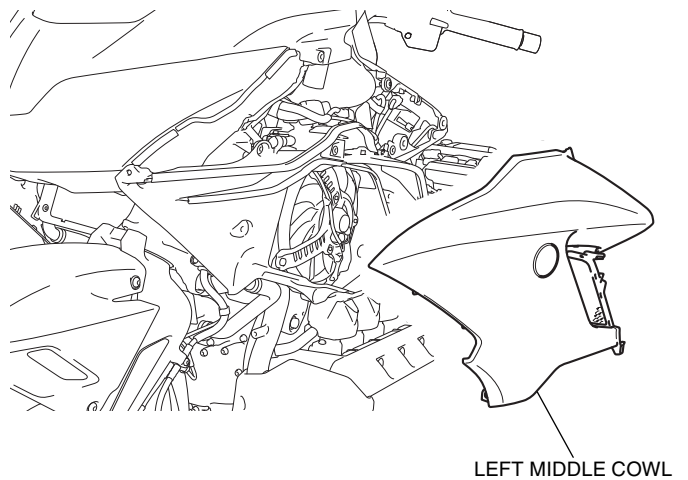
17. Remove the clip as shown.

<Left side>



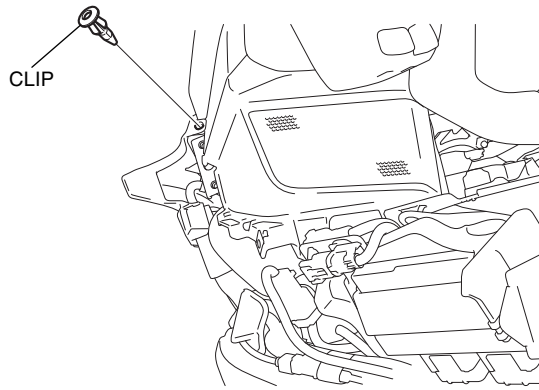
18. Remove the left middle cowl as shown.

<Left side>

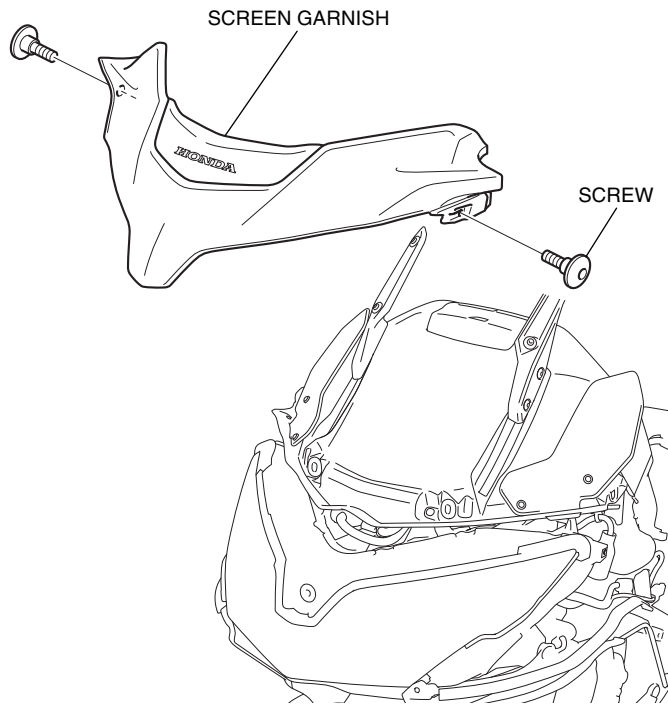


19. Remove the right deflector panel, right inner cowl and right middle cowl in the same manner as the left side.

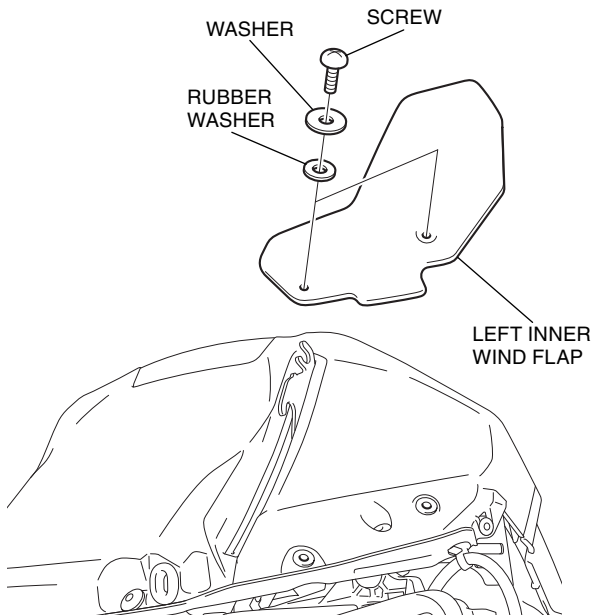
20. Remove the clip as shown.
- Repeat on the right side.



21. Remove the screen garnish as shown.

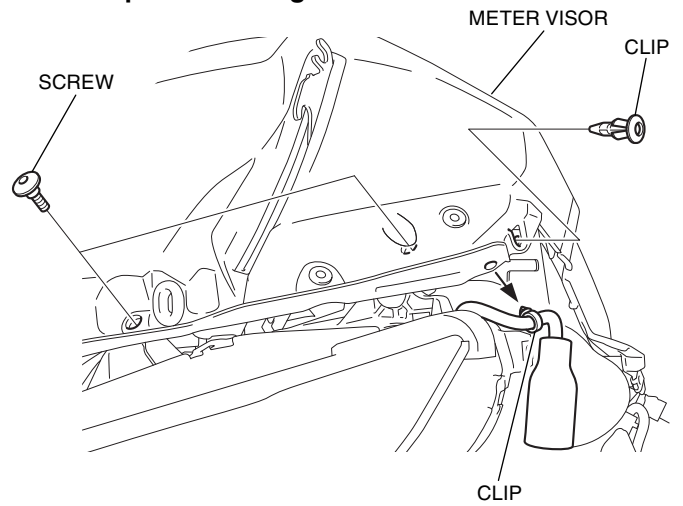


22. Remove the left inner wind flap as shown.

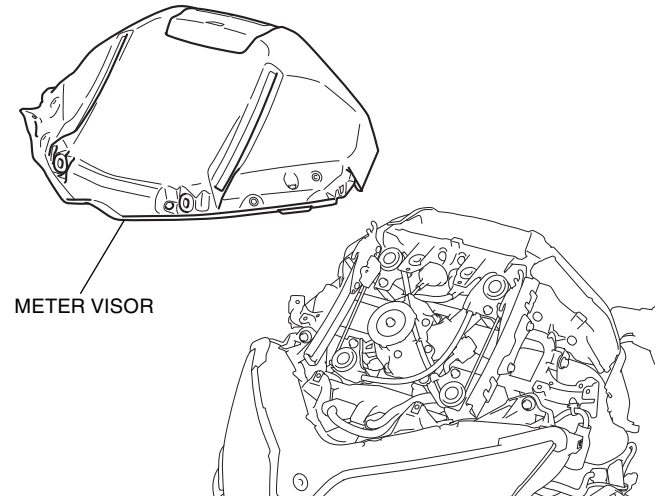


23. Remove the right inner wind flap in the same manner as the left side.

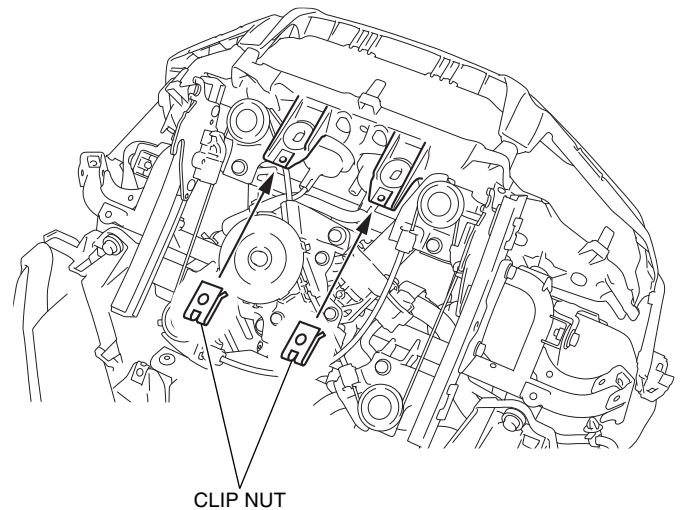
24. Remove the parts as shown.
- Repeat on the right side.



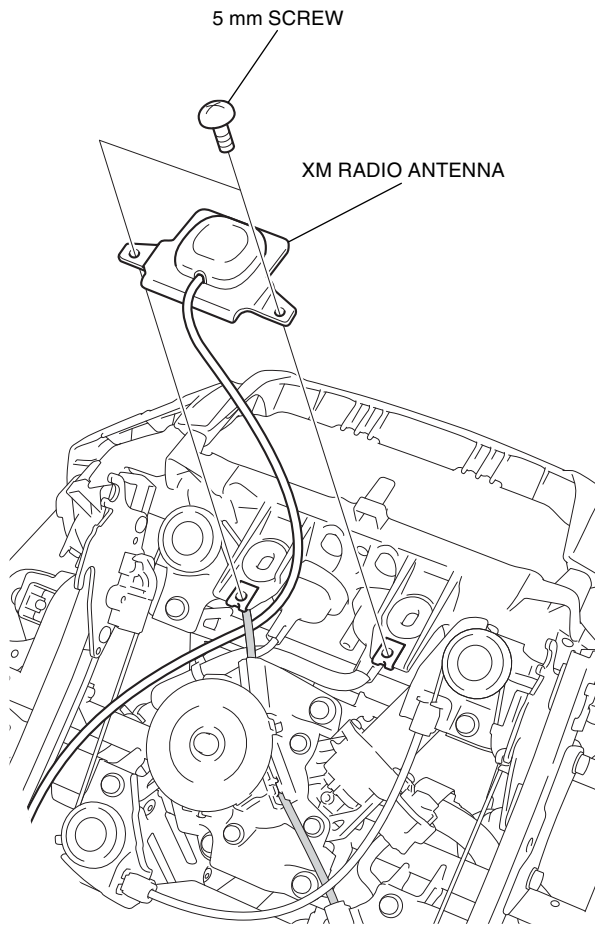
25. Remove the meter visor as shown.



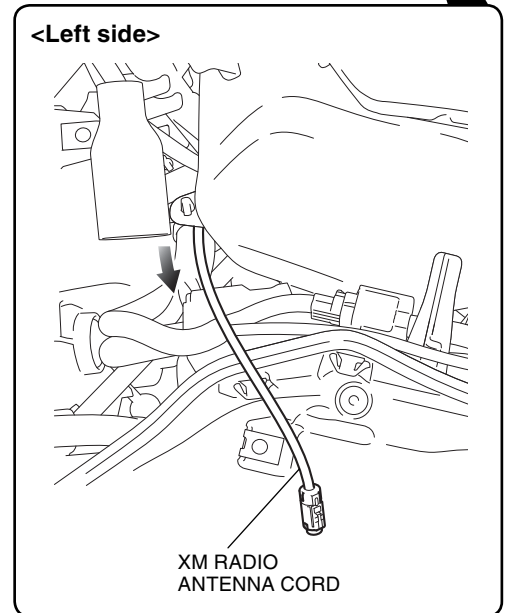
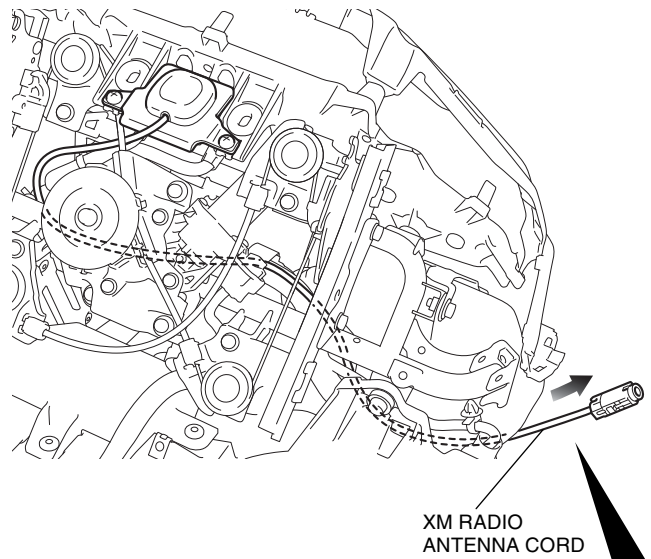
26. Install the clip nuts as shown.



27. Route and install the XM radio antenna as shown.

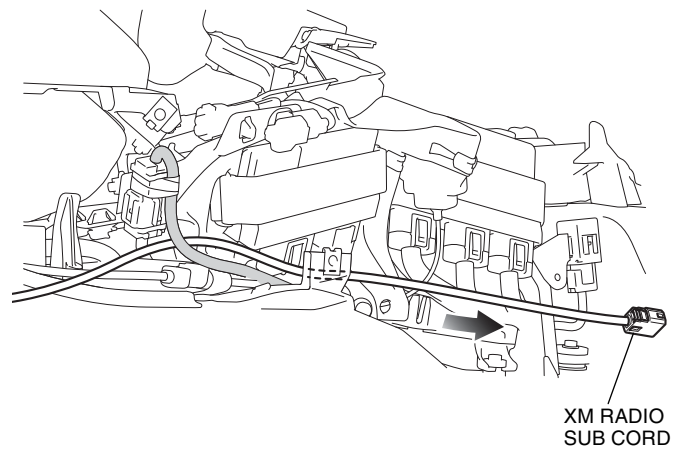


28. Route the XM radio antenna cord as shown.



29. Route the XM radio sub cord as shown.

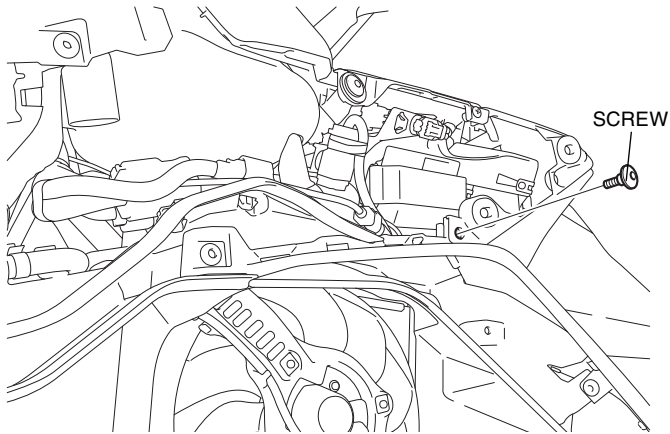
<Left side view, without top shelter for clarity>



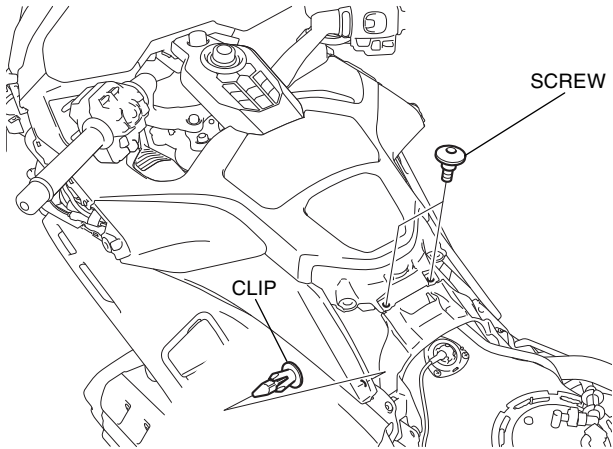
30. Remove the screw as shown.

- Repeat on the right side.

<Left side>



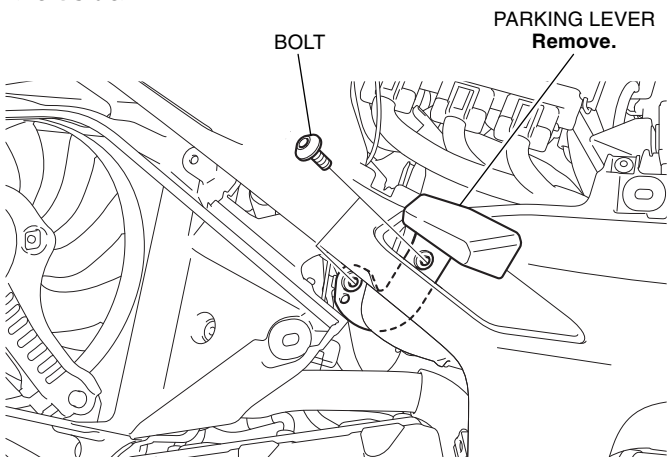
31. Remove the screws and trim clip as shown.



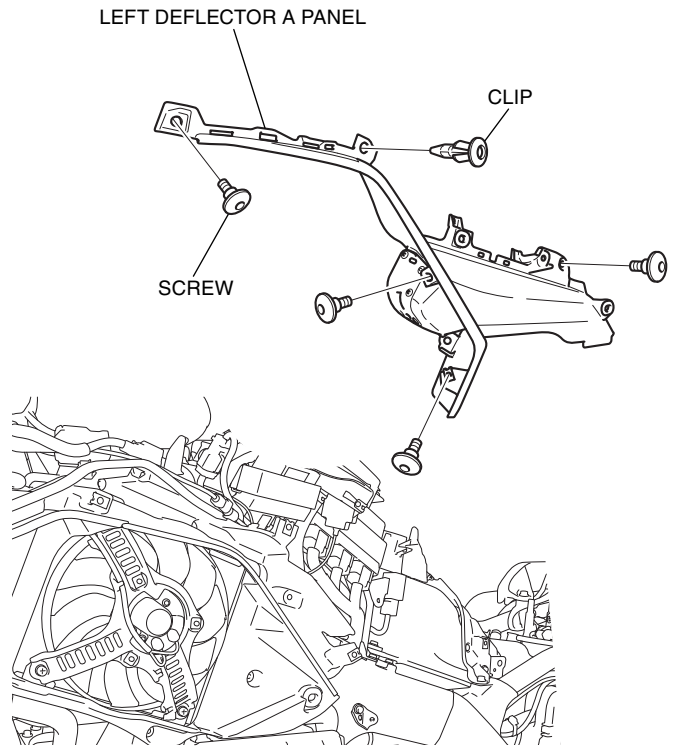
32. Remove the parking lever as shown.

- Perform this step on GL1800D/DA/BD only.

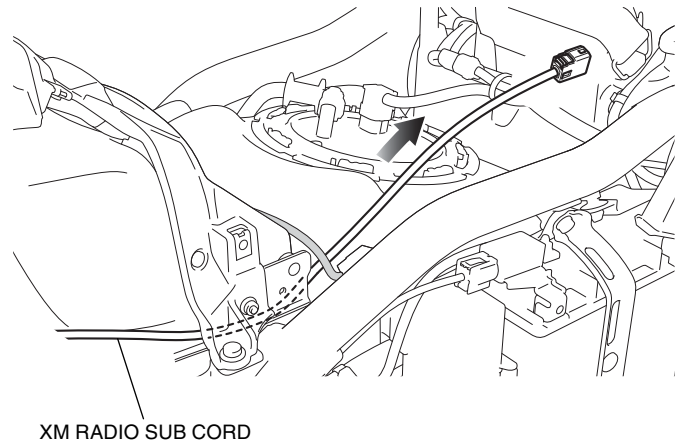
<Left side>



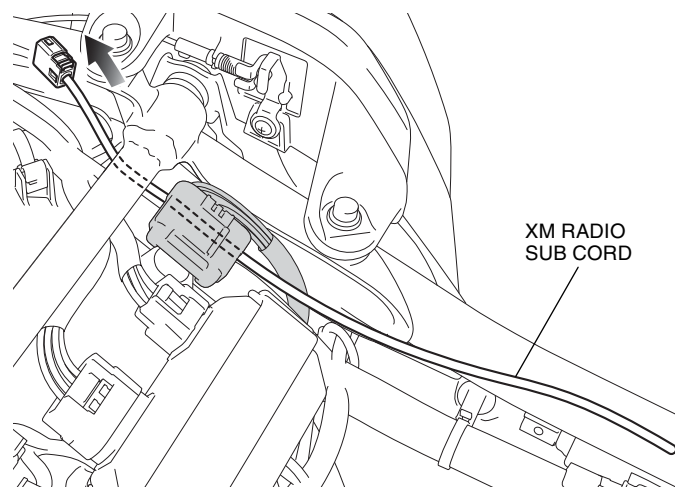
33. Remove the left deflector A panel as shown.



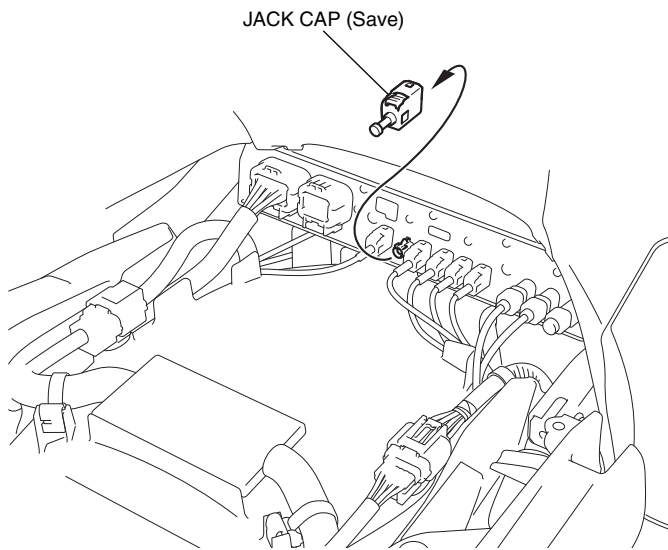
34. Route the XM radio sub cord as shown.



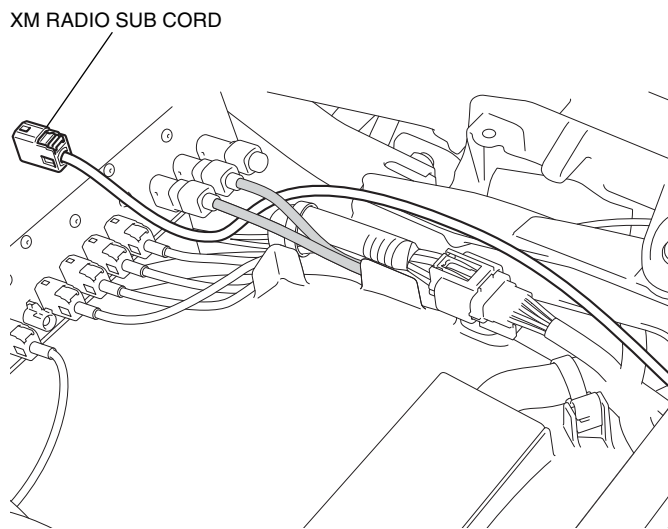
35. Route the XM radio sub cord as shown.



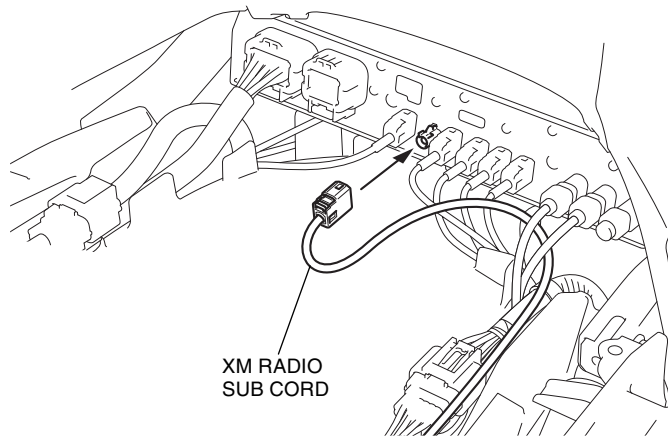
36. Remove the jack cap as shown.



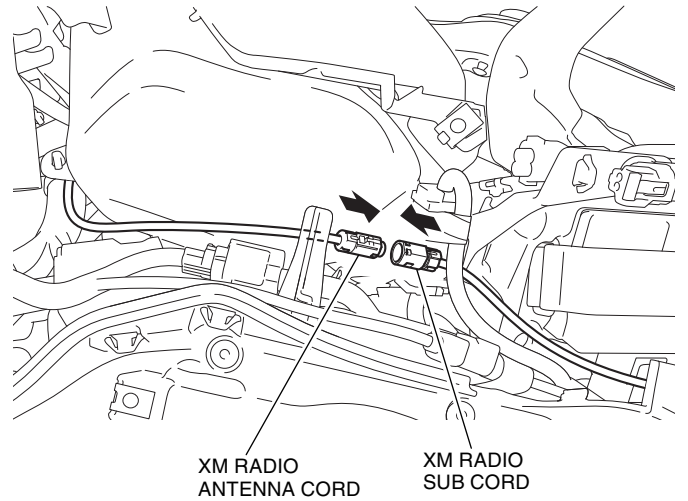
37. Route the XM radio sub cord as shown.



38. Connect the XM radio sub cord as shown.

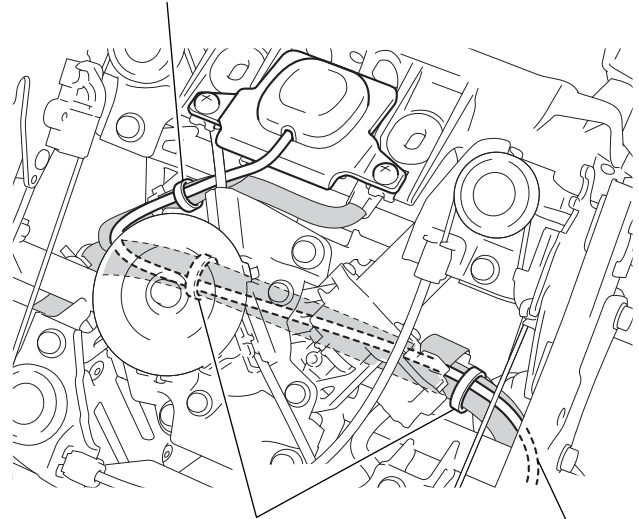


39. Route and connect the XM radio antenna cord as shown.



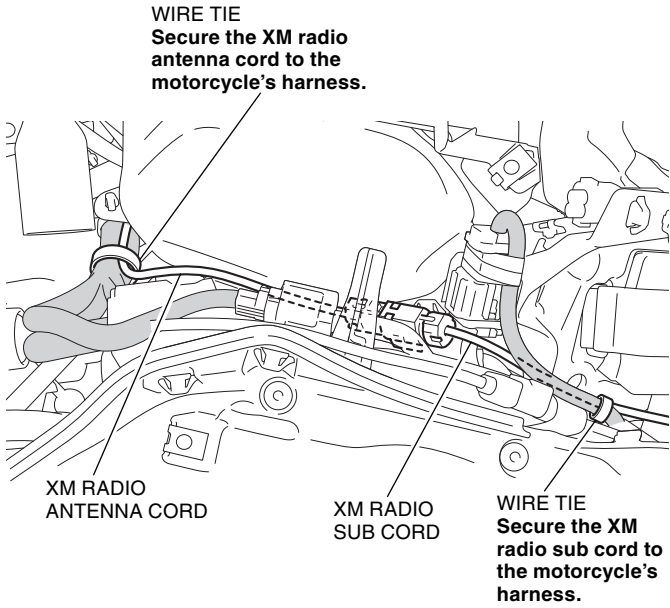
40. Secure the XM radio antenna cord with the wire ties as shown.

WIRE TIE
Secure the XM radio antenna cord to the motorcycle's harness.



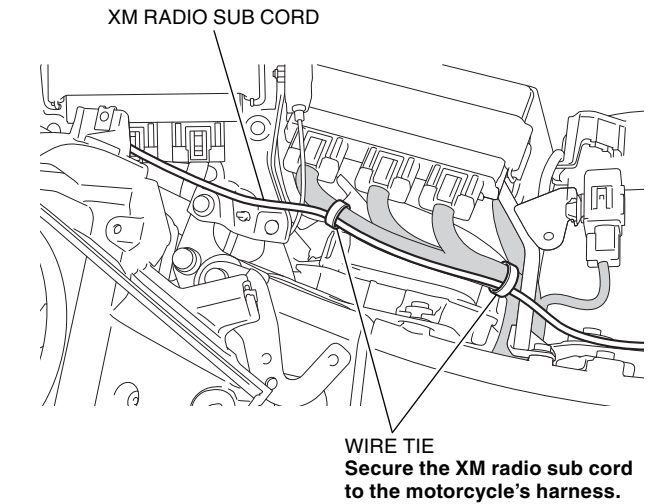
41. Secure the XM radio antenna cord and XM radio sub cord with the wire ties as shown.

<Left side view, without top shelter for clarity>

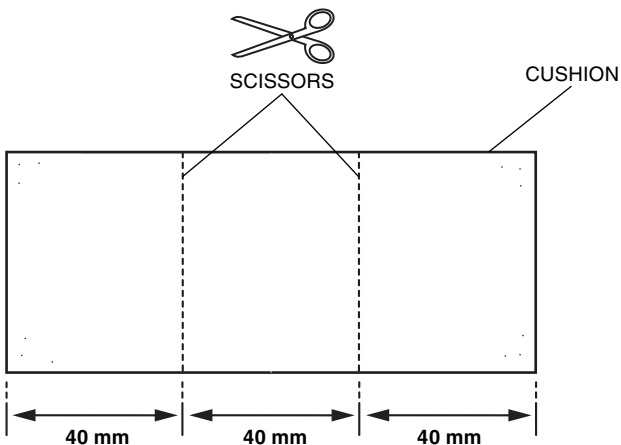


42. Secure the XM radio sub cord with the wire ties as shown.

<Left side view, without top shelter for clarity>

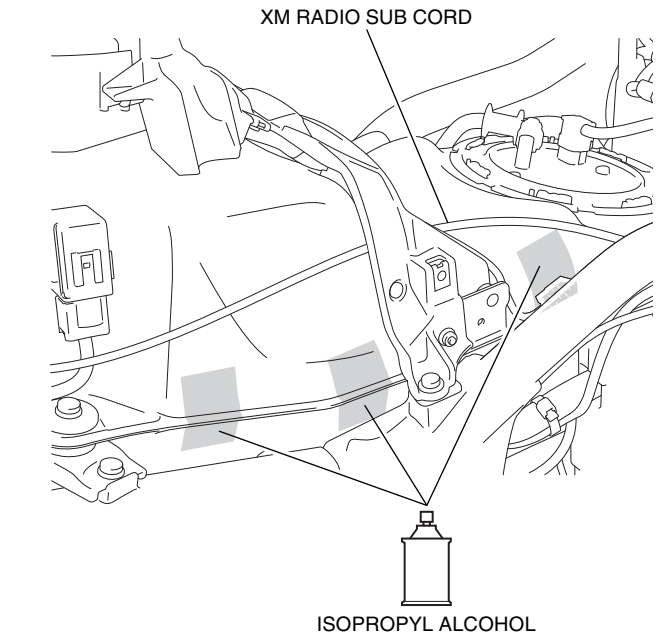


43. Cut the cushion to the dimensions shown.

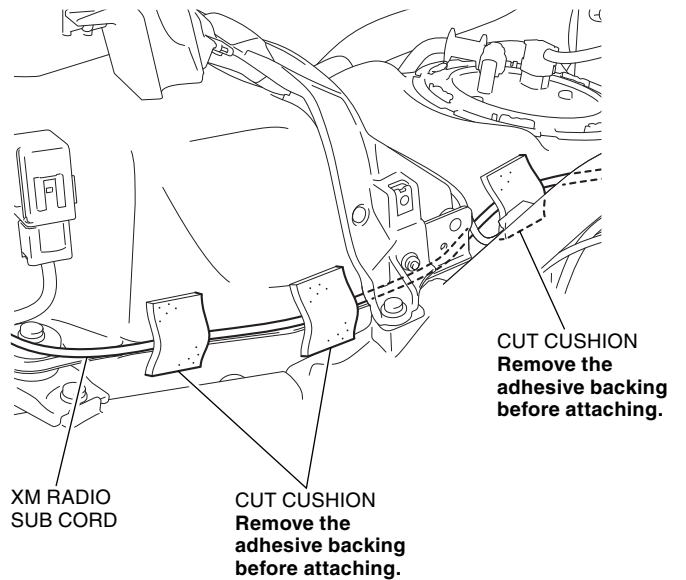


44. Clean the surface of the area shown with isopropyl alcohol.

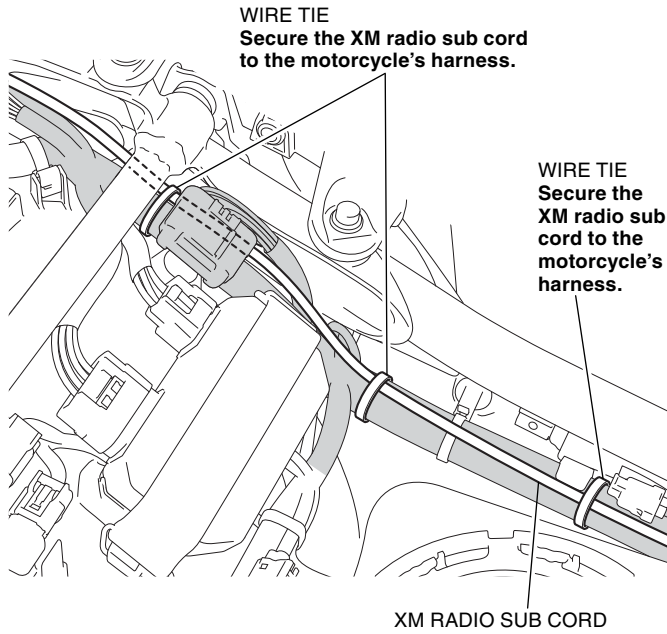
<Left side>



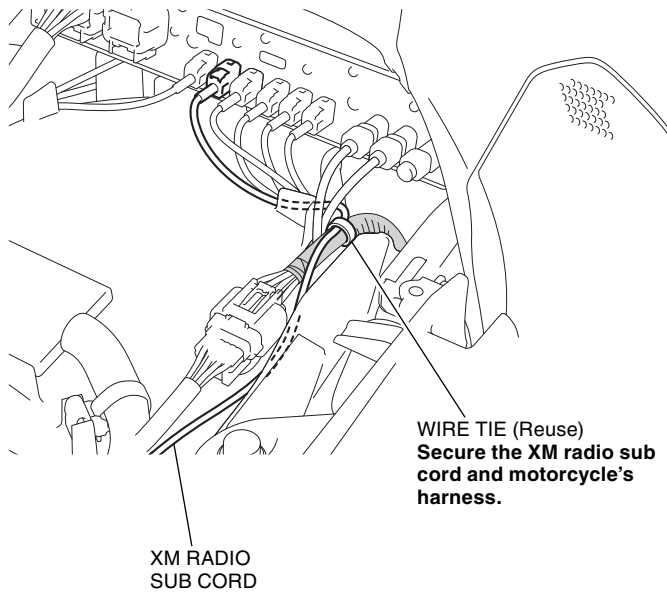
45. Secure the XM radio sub cord with the cut cushions as shown.



46. Secure the XM radio sub cord with the wire ties as shown.



47. Secure the XM radio sub cord with the wire tie as shown.



48. Install the motorcycle's parts in the reverse order of removal.
- **Confirm that any wire harness is not caught or too tight.**
49. Check the XM radio, headlight and the other lights for proper operation.